

**Tender text**

**Project name**  
**Project ID**

**Customer**  
 Contact  
 E-mail  
 Phone

**Company**  
 Contact  
 E-mail  
 Phone

2025-01-20

Page 1 / 6

Pos.no	Description	Item no.
	<b>Volute casing pump</b>	
	Centrifugal pump: Etanorm PumpDrive 050-032-200.1/5,54 GG	05123611
	<b>Etanorm PumpDrive</b>	
	Horizontal single-stage volute casing pump, ratings to EN 733, radially split volute casing with integrally cast pump feet, long-coupled design. The pump is designed with replaceable casing wear rings, closed radial impeller with multiply curved vanes, single mechanical seal or double mechanical seals to EN 12756, shaft equipped with replaceable shaft protecting sleeve in the shaft seal area. The back pull-out design allows the coupling, bearing brackets and impeller to be dismantled without the need to disconnect the pump casing from the piping.	
	PumpDrive 2 frequency inverter Self-cooling frequency inverter is mounted directly on the motor. Controlled by integrated PI controller. Controlled variables are pressure, differential pressure, flow rate, temperature. Display and setting of all operating parameters via a control unit with graphical display. Setpoint adjustment or control via external standard signal or via the control unit. Protective function for drive and pump. Pump and drive parameters pre-set at the factory.	
	Design:	
	Mains voltage	: 3~ 380 V AC -10 % to 480 V AC +10 %
	Mains frequency	: 50 - 60 Hz ± 2 %
	Internal power supply unit	: 24 V ± 10 %, max. 600 mA DC
	Enclosure	: IP55 (to EN 60529)
	Ambient temperature	: -10 °C to +50 °C
	Relative humidity in operation	: 5 % to 85 %, non-condensing
	Service interface	: optical
	Analog input	: 2 x 0/2 - 10 V or 0/4 - 20 mA
	Analog output	: 1 x 0 - 10 V or 4 - 20 mA
	Digital input	: 1 x hardware enable input, 5 x parameterisable
	Relay output	: 2 changeover contacts, parameterisable
	Bus systems (optional)	: Modbus RTU, Profibus DP, LON, BACnet MS/TP, Profinet
	PumpMeter	
	Integrated, intelligent pressure transmitter with on-site display of	

**Tender text**

**Project name**  
**Project ID**

**Customer**  
Contact  
E-mail  
Phone

**Company**  
Contact  
E-mail  
Phone

2025-01-20

Page 2 / 6

Pos.no	Description	Item no.	Qty.	UP / EUR	TP / EUR
	operating data such as suction pressure and discharge pressure, calculates the differential pressure and establishes the pump's operating point. The measured and calculated values are shown in alternation on a user-friendly display. PumpMeter is supplied completely assembled and parameterised individually for the pump it is used with.				
	<b>Operating data</b>				
	Fluid handled : Water				
	Flow rate :				
	Head :				
	Fluid temperature : 20,00 °C				
	Permissible fluid temperature (min./max.) : 0 bis +110				
	Maximum operating pressure : ≤ 16 bar				
	Ambient temperature (min./max.) : -10 to +50°C				
	<b>Motor/electronics</b>				
	MEI value : ≥ 0,4				
	Motor rating : 0,55 kW				
	Max. rated current : 1,3 A				
	Speed : 500 1/min ... 1.800 1/min				
	Power supply : 3 x 380 V AC - 15 % to 480 V AC +10 %				
	Motor size : 80M				
	Energy efficiency class : IE5				
	Enclosure : IP55				
	Motor make : KSB-Standard				
	<b>Materials</b>				
	Pump casing (102) : Grey cast iron JL1040				
	Impeller (230) : Steel/tempered steel E335/C45				
	Pump shaft (210) : Grey cast iron JL1040				
	Casing cover (161) : Grey cast iron JL1040				
	Casing wear ring, suction side (502.01): DPAF seal plate, asbestos-free				
	Casing wear ring, discharge side (502.02): Grey cast iron GG / cast iron				
	Shaft seal type : Single mechanical seal, conical casing cover				
	Shaft seal material : 10 = Q1Q1X4GG				
	<b>Installation</b>				
	Installation type : Baseplate for the entire pump set (pump				



### Tender text

**Project name**

**Project ID**

**Customer**

Contact

E-mail

Phone

**Company**

Contact

E-mail

Phone

2025-01-20

Page 3 / 6

---

Pos.no	Description	Item no.	Qty.	UP / EUR	TP / EUR
	+ drive)				
	<b>Dimensions and connections</b>				
	Nominal size of discharge nozzle DN2	: DN 32			
	Nominal diameter of suction nozzle DN1	: DN 50			
	Nominal pressure, suction side	: 16			
	Nominal pressure, discharge side	: 16			
	<b>Purchase order information</b>				
	Approx. net weight	: 103,7 kg			
	Make	: KSB			
	Type	: Etanorm PumpDrive 050-032-200.1/5,54			
	GG				
	Material price group	: 55			
	<b>Material number</b>	: 05123611			
	Frequency controller: PumpDrive2		1		

---

**Data sheet: technical data**

**Project name**  
**Project ID**

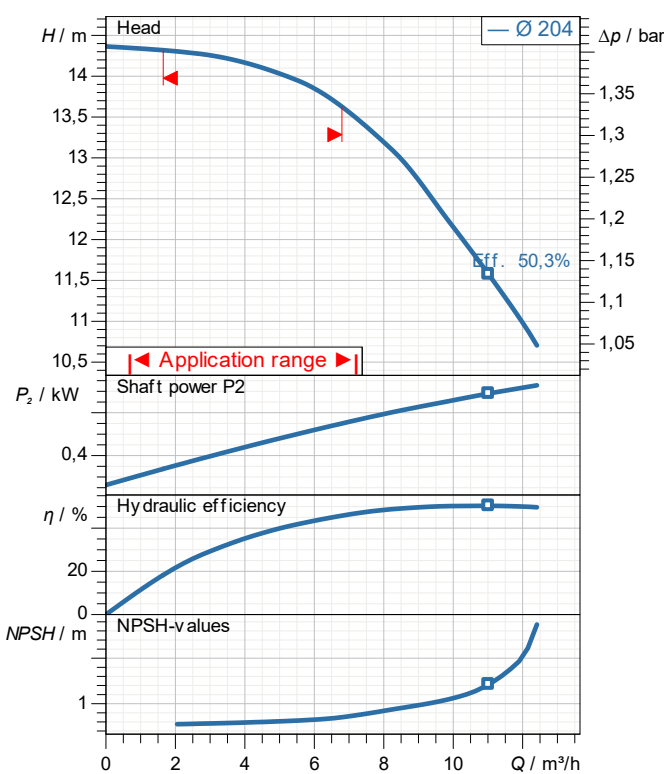
**Item-No.**  
**Design**                    **Volute casing pump**  
**Type / Coding**           **Etanorm PumpDrive 050-032-200.1/5,54 GG**

**Customer**  
Contact  
E-mail  
Phone

**Company**  
Contact  
E-mail  
Phone

2025-01-20

Page 4 / 6



**demand data**

Flow  
Head  
Geodetic head  
Media                                Water  
Liquid temperature            20 °C  
Concentration                    100 %

**Pump data**

Make                                    KSB  
Type                                    Etanorm PumpDrive 050-032-200.1/5,54 GG  
Design                                Volute casing pump  
Specific design                    Single head pump  
Max. fluid temperature        140 °C

**Hydraulic data (Duty point)**

Flow  
Head  
Efficiency  
Minimum Efficiency Index        ≥ 0,4

**Material / sealing element**

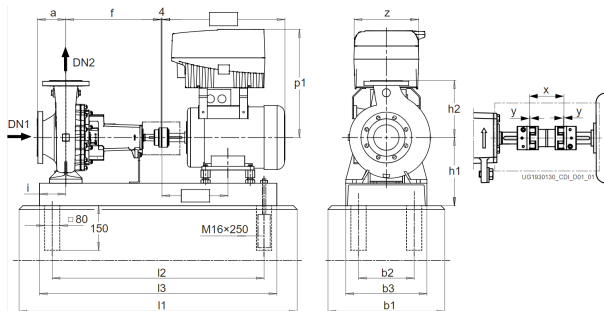
Volute casing                        Grey cast iron JL1040  
Discharge cover                    Grey cast iron JL1040  
Shaft                                    Steel/tempered steel E335/C45  
Impeller                                Grey cast iron JL1040  
Bearing bracket lantern        DPAF seal plate, asbestos-free  
Casing wear ring                    Grey cast iron GG / cast iron

**Motor data**

Power uptake                        0,647 kW  
Rated power                          0,55 kW  
Speed                                    1.500 1/min  
Rated voltage                        400 V  
Rated current                        1,3 A  
Degree of protection            IP55

**Product information**

Ident. No./ type key                05123611  
Weight loaded                        103,7 kg  
Gross price                            10.896,10 EUR  
PL 2025-01-20  
Price group                            55



**Data sheet: performance curve**

**Project name**  
**Project ID**

**Item-No.**  
**Design**                    **Volute casing pump**  
**Type / Coding**        **Etanorm PumpDrive 050-032-200.1/5,54 GG**

**Customer**  
Contact  
E-mail  
Phone

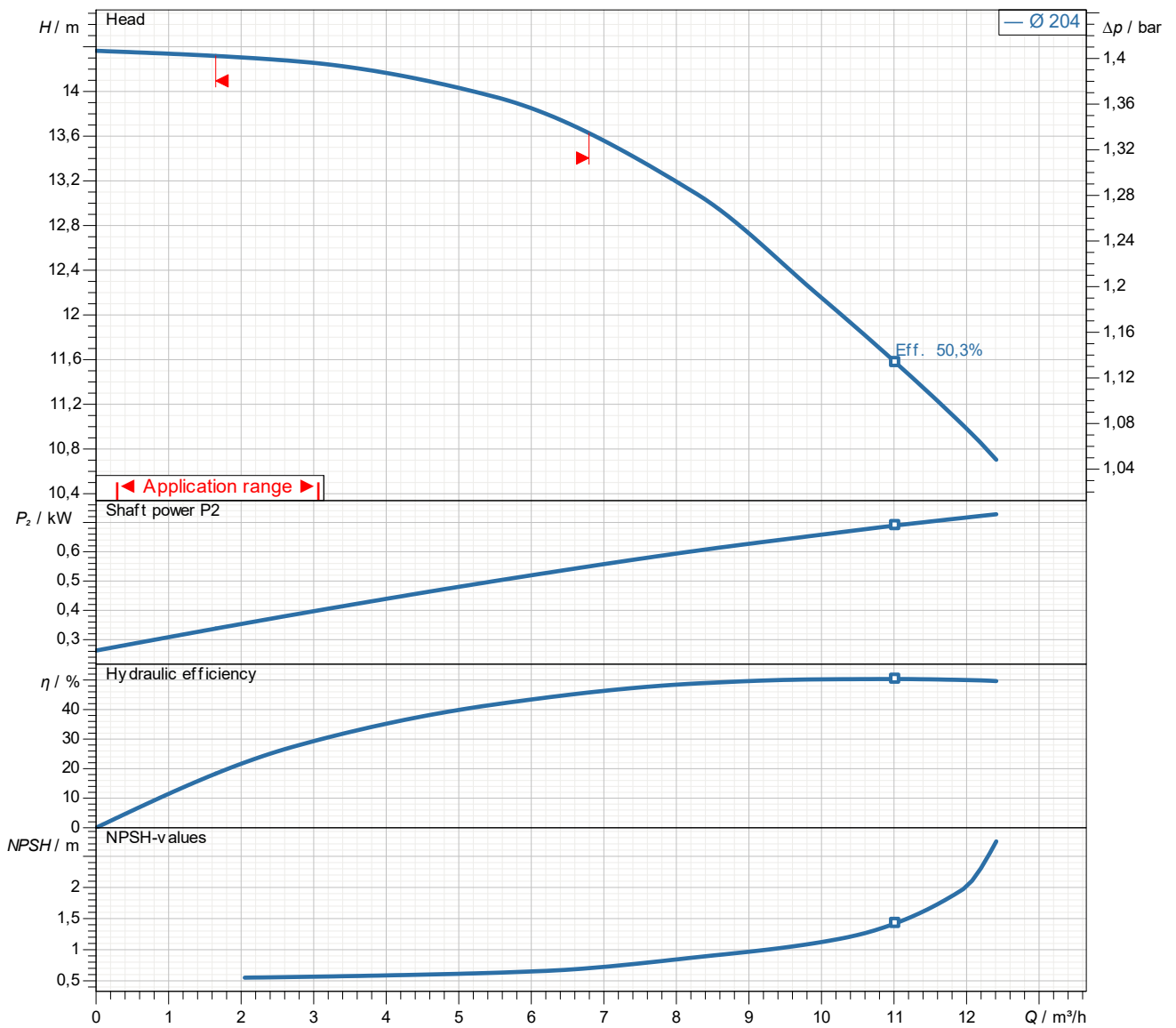
**Company**  
Contact  
E-mail  
Phone

2025-01-20

Page 5 / 6

**Performance curve**

**Etanorm PumpDrive 050-032-200.1/5,54 GG**



Density        998,3 kg/m<sup>3</sup>  
Viscosity     1,005 mm<sup>2</sup>/s

# Dimensions



Name	Wert	Name	Wert
a	80 mm	l2	650 mm
b1	450 mm	l3	710 mm
b2	240 mm	p1	294 mm
b3	300 mm	x	100 mm
DN1	50 mm	z	190 mm
DN2	32 mm		
f	360 mm		
h1	260 mm		
h2	180 mm		
i	100 mm		
l1	860 mm		