

**Tender text**

**Project name**  
**Project ID**

**Customer**  
Contact  
E-mail  
Phone

**Company**  
Contact  
E-mail  
Phone

2025-01-20

Page 1 / 6

Pos.no	Description	Item no.
	<b>Volute casing pump</b>	
	Centrifugal pump: Etanorm PumpDrive 100-080-160/224 GG	05123679
	<b>Etanorm PumpDrive</b>	
	Horizontal single-stage volute casing pump, ratings to EN 733, radially split volute casing with integrally cast pump feet, long-coupled design. The pump is designed with replaceable casing wear rings, closed radial impeller with multiply curved vanes, single mechanical seal or double mechanical seals to EN 12756, shaft equipped with replaceable shaft protecting sleeve in the shaft seal area. The back pull-out design allows the coupling, bearing brackets and impeller to be dismantled without the need to disconnect the pump casing from the piping.	
	PumpDrive 2 frequency inverter Self-cooling frequency inverter is mounted directly on the motor. Controlled by integrated PI controller. Controlled variables are pressure, differential pressure, flow rate, temperature. Display and setting of all operating parameters via a control unit with graphical display. Setpoint adjustment or control via external standard signal or via the control unit. Protective function for drive and pump. Pump and drive parameters pre-set at the factory.	
	Design:	
	Mains voltage	: 3~ 380 V AC -10 % to 480 V AC +10 %
	Mains frequency	: 50 - 60 Hz ± 2 %
	Internal power supply unit	: 24 V ± 10 %, max. 600 mA DC
	Enclosure	: IP55 (to EN 60529)
	Ambient temperature	: -10 °C to +50 °C
	Relative humidity in operation	: 5 % to 85 %, non-condensing
	Service interface	: optical
	Analog input	: 2 x 0/2 - 10 V or 0/4 - 20 mA
	Analog output	: 1 x 0 - 10 V or 4 - 20 mA
	Digital input	: 1 x hardware enable input, 5 x parameterisable
	Relay output	: 2 changeover contacts, parameterisable
	Bus systems (optional)	: Modbus RTU, Profibus DP, LON, BACnet MS/TP, Profinet
	PumpMeter	
	Integrated, intelligent pressure transmitter with on-site display of	

**Tender text**

**Project name**  
**Project ID**

**Customer**  
Contact  
E-mail  
Phone

**Company**  
Contact  
E-mail  
Phone

2025-01-20

Page 2 / 6

Pos.no	Description	Item no.	Qty.	UP / EUR	TP / EUR
	operating data such as suction pressure and discharge pressure, calculates the differential pressure and establishes the pump's operating point. The measured and calculated values are shown in alternation on a user-friendly display. PumpMeter is supplied completely assembled and parameterised individually for the pump it is used with.				
	<b>Operating data</b>				
	Fluid handled : Water				
	Flow rate :				
	Head :				
	Fluid temperature : 20,00 °C				
	Permissible fluid temperature (min./max.) : 0 bis +110				
	Maximum operating pressure : ≤ 16 bar				
	Ambient temperature (min./max.) : -10 to +50°C				
	<b>Motor/electronics</b>				
	MEI value : ≥ 0,4				
	Motor rating : 2,2 kW				
	Max. rated current : 5,7 A				
	Speed : 500 1/min ... 2.030 1/min				
	Power supply : 3 x 380 V AC - 15 % to 480 V AC +10 %				
	Motor size : 100L				
	Energy efficiency class : IE5				
	Enclosure : IP55				
	Motor make : KSB-Standard				
	<b>Materials</b>				
	Pump casing (102) : Grey cast iron JL1040				
	Impeller (230) : Steel/tempered steel E335/C45				
	Pump shaft (210) : Grey cast iron JL1040				
	Casing cover (161) : Grey cast iron JL1040				
	Casing wear ring, suction side (502.01): DPAF seal plate, asbestos-free				
	Casing wear ring, discharge side (502.02): Grey cast iron GG / cast iron				
	Shaft seal type : Single mechanical seal, conical casing cover				
	Shaft seal material : 10 = Q1Q1X4GG				
	<b>Installation</b>				
	Installation type : Baseplate for the entire pump set (pump				



### Tender text

**Project name**

**Project ID**

**Customer**

Contact

E-mail

Phone

**Company**

Contact

E-mail

Phone

2025-01-20

Page 3 / 6

---

Pos.no	Description	Item no.	Qty.	UP / EUR	TP / EUR
	+ drive)				
	<b>Dimensions and connections</b>				
	Nominal size of discharge nozzle DN2	: DN 80			
	Nominal diameter of suction nozzle DN1	: DN 100			
	Nominal pressure, suction side	: 16			
	Nominal pressure, discharge side	: 16			
	<b>Purchase order information</b>				
	Approx. net weight	: 148,8 kg			
	Make	: KSB			
	Type	: Etanorm PumpDrive 100-080-160/224			
	GG				
	Material price group	: 55			
	<b>Material number</b>	: 05123679			
	Frequency controller: PumpDrive2		1		

---



**Data sheet: performance curve**

**Project name**  
**Project ID**

**Item-No.**  
**Design**                    **Volute casing pump**  
**Type / Coding**        **Etanorm PumpDrive 100-080-160/224 GG**

**Customer**  
Contact  
E-mail  
Phone

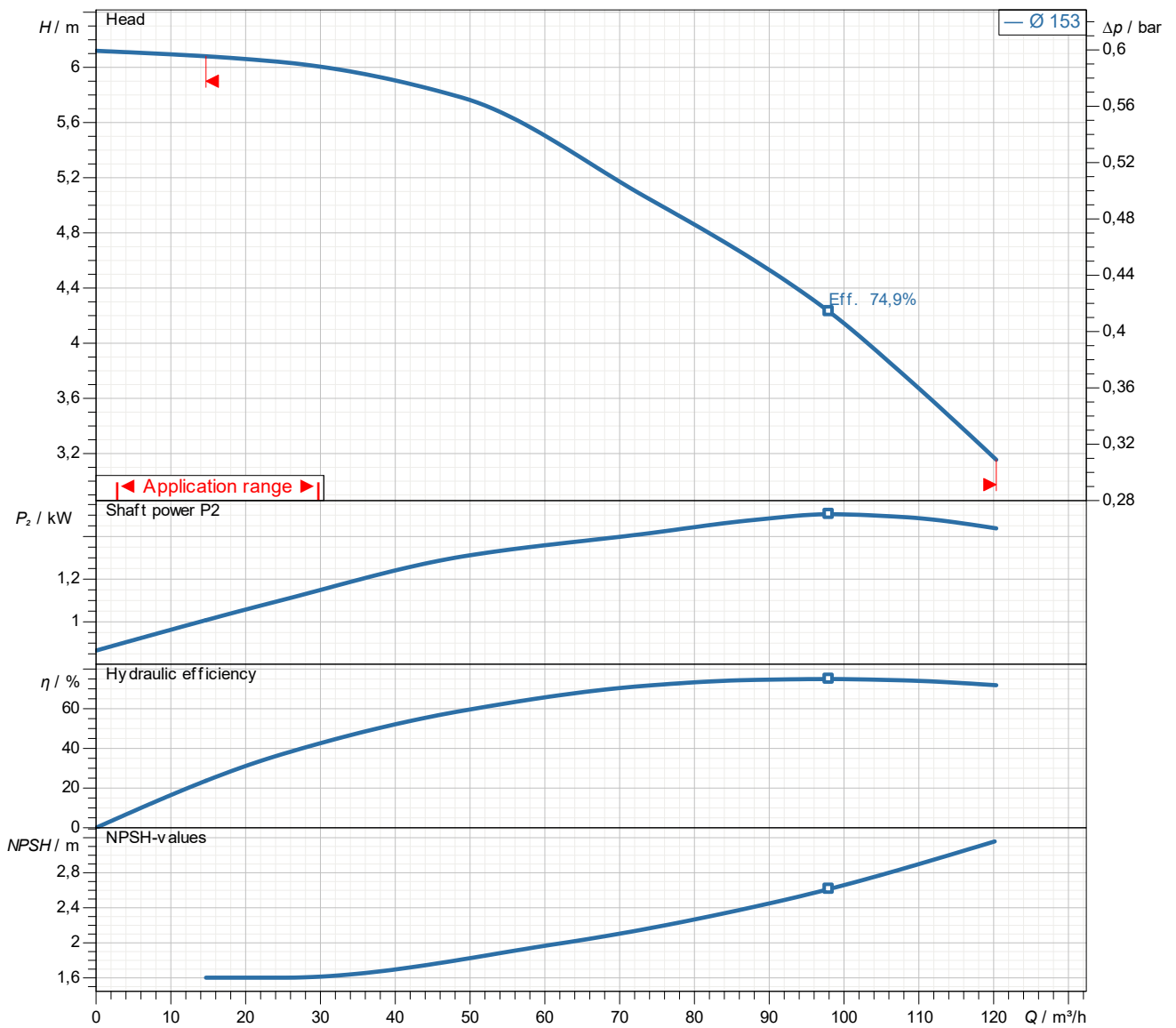
**Company**  
Contact  
E-mail  
Phone

2025-01-20

Page 5 / 6

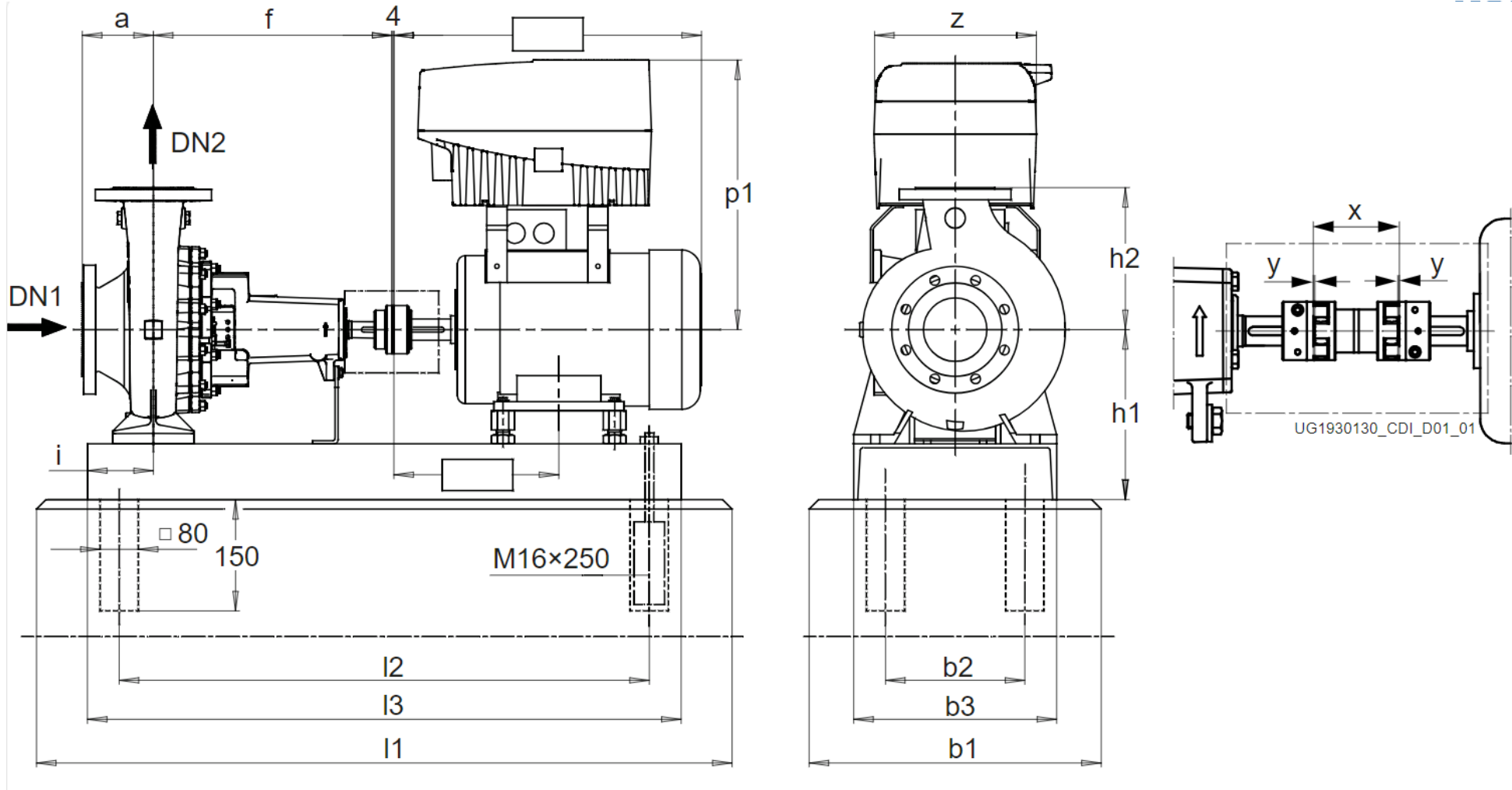
**Performance curve**

**Etanorm PumpDrive 100-080-160/224 GG**



Density        998,3 kg/m<sup>3</sup>  
Viscosity     1,005 mm<sup>2</sup>/s

# Dimensions



Name	Wert	Name	Wert
a	125 mm	l2	840 mm
b1	500 mm	l3	900 mm
b2	280 mm	p1	338 mm
b3	350 mm	x	140 mm
DN1	100 mm	z	211 mm
DN2	80 mm		
f	360 mm		
h1	280 mm		
h2	225 mm		
i	112 mm		
l1	1.050 mm		