

Tender text

Project name
Project ID

Customer
Contact
E-mail
Phone

Company
Contact
E-mail
Phone

2025-01-20

Page 1 / 6

Pos.no	Description	Item no.
	Volute casing pump	
	Centrifugal pump: Etanorm PumpDrive 150-125-200/554 GG	05123722
	Etanorm PumpDrive	
	Horizontal single-stage volute casing pump, ratings to EN 733, radially split volute casing with integrally cast pump feet, long-coupled design. The pump is designed with replaceable casing wear rings, closed radial impeller with multiply curved vanes, single mechanical seal or double mechanical seals to EN 12756, shaft equipped with replaceable shaft protecting sleeve in the shaft seal area. The back pull-out design allows the coupling, bearing brackets and impeller to be dismantled without the need to disconnect the pump casing from the piping.	
	PumpDrive 2 frequency inverter Self-cooling frequency inverter is mounted directly on the motor. Controlled by integrated PI controller. Controlled variables are pressure, differential pressure, flow rate, temperature. Display and setting of all operating parameters via a control unit with graphical display. Setpoint adjustment or control via external standard signal or via the control unit. Protective function for drive and pump. Pump and drive parameters pre-set at the factory.	
	Design:	
	Mains voltage	: 3~ 380 V AC -10 % to 480 V AC +10 %
	Mains frequency	: 50 - 60 Hz ± 2 %
	Internal power supply unit	: 24 V ± 10 %, max. 600 mA DC
	Enclosure	: IP55 (to EN 60529)
	Ambient temperature	: -10 °C to +50 °C
	Relative humidity in operation	: 5 % to 85 %, non-condensing
	Service interface	: optical
	Analog input	: 2 x 0/2 - 10 V or 0/4 - 20 mA
	Analog output	: 1 x 0 - 10 V or 4 - 20 mA
	Digital input	: 1 x hardware enable input, 5 x parameterisable
	Relay output	: 2 changeover contacts, parameterisable
	Bus systems (optional)	: Modbus RTU, Profibus DP, LON, BACnet MS/TP, Profinet
	PumpMeter	
	Integrated, intelligent pressure transmitter with on-site display of	

Tender text

Project name
Project ID

Customer
Contact
E-mail
Phone

Company
Contact
E-mail
Phone

2025-01-20

Page 2 / 6

Pos.no	Description	Item no.	Qty.	UP / EUR	TP / EUR
	operating data such as suction pressure and discharge pressure, calculates the differential pressure and establishes the pump's operating point. The measured and calculated values are shown in alternation on a user-friendly display. PumpMeter is supplied completely assembled and parameterised individually for the pump it is used with.				
	Operating data				
	Fluid handled : Water				
	Flow rate :				
	Head :				
	Fluid temperature : 20,00 °C				
	Permissible fluid temperature (min./max.) : 0 bis +110				
	Maximum operating pressure : ≤ 16 bar				
	Ambient temperature (min./max.) : -10 to +50°C				
	Motor/electronics				
	MEI value : ≥ 0,4				
	Motor rating : 5,5 kW				
	Max. rated current : 13,5 A				
	Speed : 500 1/min ... 1.800 1/min				
	Power supply : 3 x 380 V AC - 15 % to 480 V AC +10 %				
	Motor size : 132S				
	Energy efficiency class : IE4 = Super Premium Efficiency				
	Enclosure : IP55				
	Motor make : KSB-Standard				
	Materials				
	Pump casing (102) : Grey cast iron JL1040				
	Impeller (230) : Steel/tempered steel E335/C45				
	Pump shaft (210) : Grey cast iron JL1040				
	Casing cover (161) : Grey cast iron JL1040				
	Casing wear ring, suction side (502.01): DPAF seal plate, asbestos-free				
	Casing wear ring, discharge side (502.02): Grey cast iron GG / cast iron				
	Shaft seal type : Single mechanical seal, conical casing cover				
	Shaft seal material : 10 = Q1Q1X4GG				
	Installation				
	Installation type : Baseplate for the entire pump set (pump				



Tender text

Project name

Project ID

Customer

Contact

E-mail

Phone

Company

Contact

E-mail

Phone

2025-01-20

Page 3 / 6

Pos.no	Description	Item no.	Qty.	UP / EUR	TP / EUR
	+ drive)				
	Dimensions and connections				
	Nominal size of discharge nozzle DN2	: DN 125			
	Nominal diameter of suction nozzle DN1	: DN 150			
	Nominal pressure, suction side	: 16			
	Nominal pressure, discharge side	: 16			
	Purchase order information				
	Approx. net weight	: 247,1 kg			
	Make	: KSB			
	Type	: Etanorm PumpDrive 150-125-200/554			
	GG				
	Material price group	: 55			
	Material number	: 05123722			
	Frequency controller: PumpDrive2		1		

Data sheet: technical data

Project name
Project ID

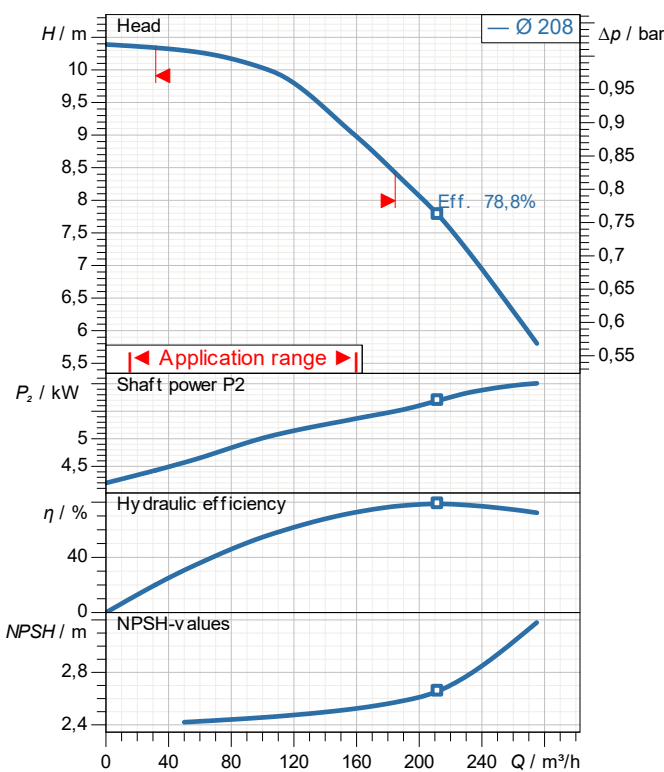
Item-No.
Design **Volute casing pump**
Type / Coding **Etanorm PumpDrive 150-125-200/554 GG**

Customer
Contact
E-mail
Phone

Company
Contact
E-mail
Phone

2025-01-20

Page 4 / 6



demand data

Flow
Head
Geodetic head
Media Water
Liquid temperature 20 °C
Concentration 100 %

Pump data

Make KSB
Type Etanorm PumpDrive 150-125-200/554 GG
Design Volute casing pump
Specific design Single head pump
Max. fluid temperature 140 °C

Hydraulic data (Duty point)

Flow
Head
Efficiency
Minimum Efficiency Index ≥ 0,4

Material / sealing element

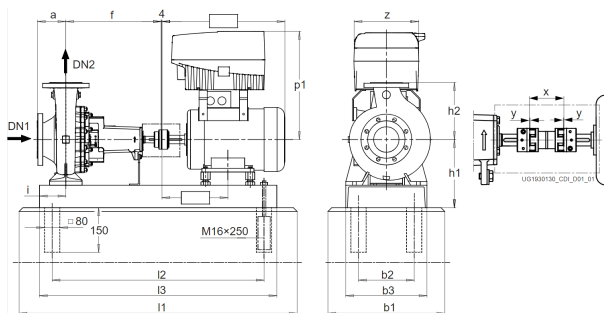
Volute casing Grey cast iron JL1040
Discharge cover Grey cast iron JL1040
Shaft Steel/tempered steel E335/C45
Impeller Grey cast iron JL1040
Bearing bracket lantern DPAF seal plate, asbestos-free
Casing wear ring Grey cast iron GG / cast iron

Motor data

Power uptake 5,98 kW
Rated power 5,5 kW
Speed 1.500 1/min
Rated voltage 400 V
Rated current 13,5 A
Degree of protection IP55

Product information

Ident. No./ type key 05123722
Weight loaded 247,1 kg
Gross price 18.290,44 EUR
PL 2025-01-20
Price group 55



Data sheet: performance curve

Project name
Project ID

Item-No.
Design **Volute casing pump**
Type / Coding **Etanorm PumpDrive 150-125-200/554 GG**

Customer
Contact
E-mail
Phone

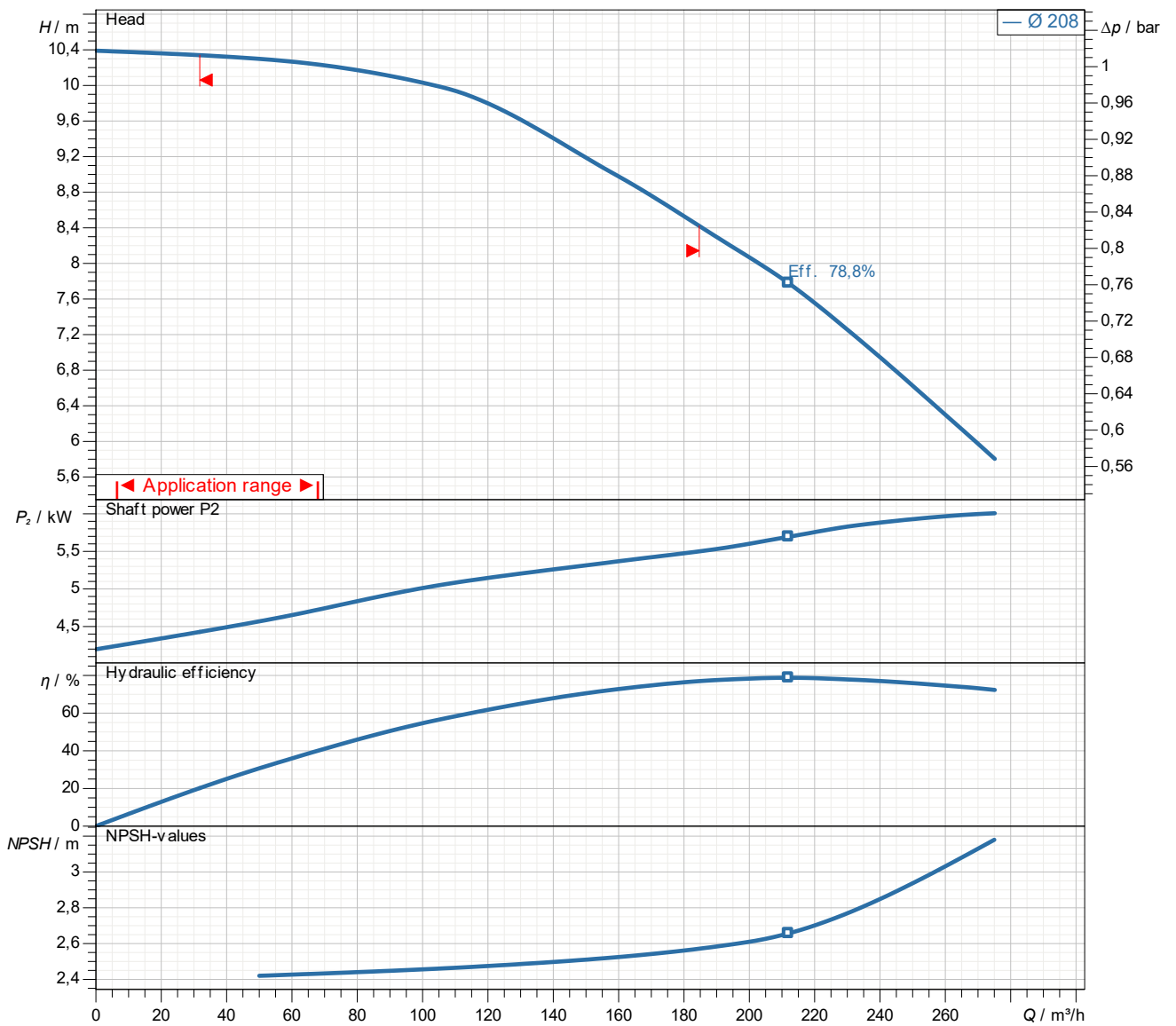
Company
Contact
E-mail
Phone

2025-01-20

Page 5 / 6

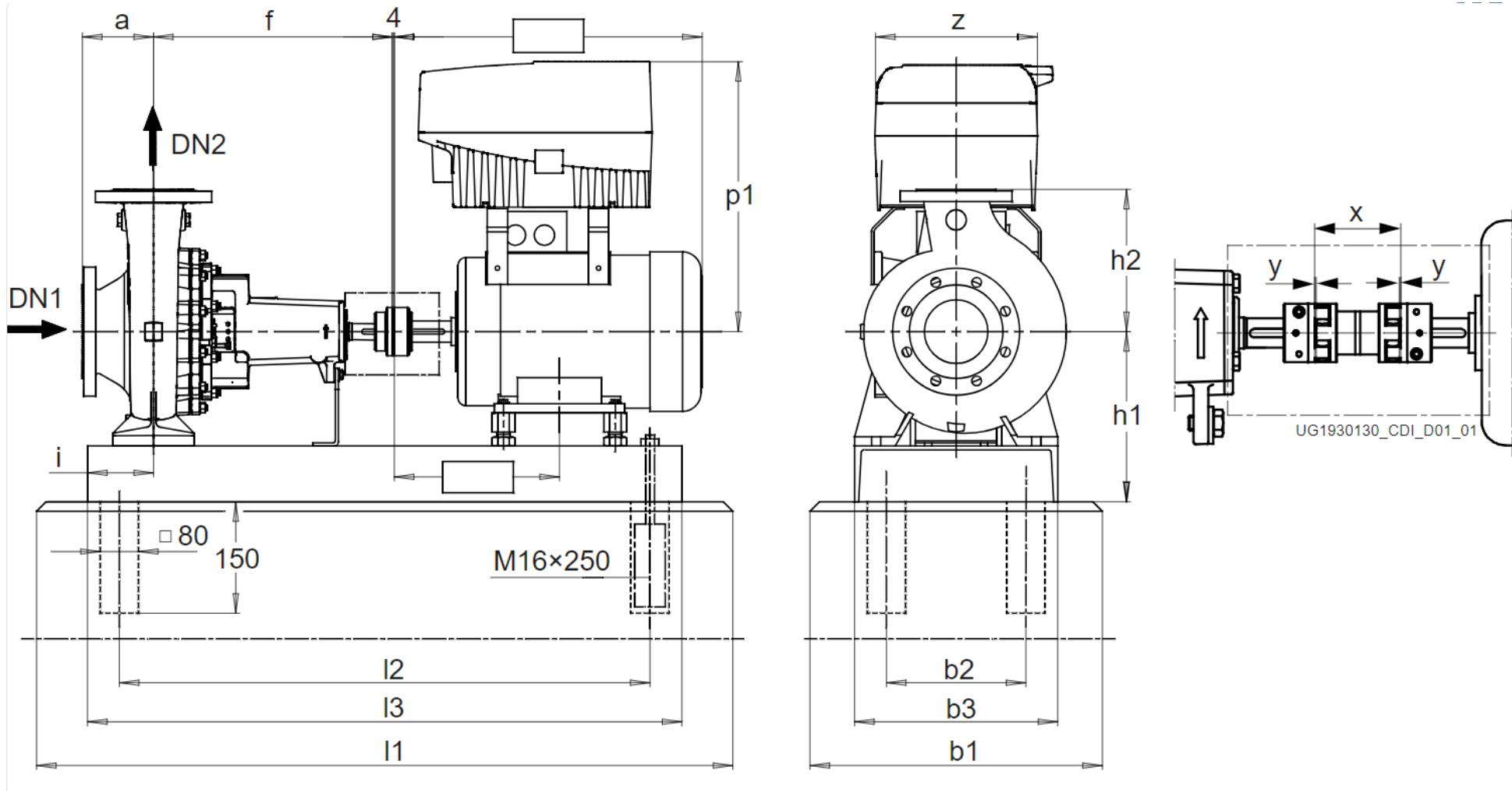
Performance curve

Etanorm PumpDrive 150-125-200/554 GG



Density 998,3 kg/m³
Viscosity 1,005 mm²/s

Dimensions



Name	Wert	Name	Wert
a	140 mm		
DN1	150 mm		
DN2	125 mm		
f	470 mm		
h2	315 mm		
i	130 mm		
x	140 mm		