

Tender text

Project name
Project ID

Customer
Contact
E-mail
Phone

Company
Contact
E-mail
Phone

2025-01-20

Page 1 / 6

| Pos.no | Description | Item no. |
|--------|--|---|
| | Volute casing pump | |
| | Centrifugal pump: Etanorm PumpDrive 200-150-250/1854 GG | 05123744 |
| | Etanorm PumpDrive | |
| | Horizontal single-stage volute casing pump, ratings to EN 733, radially split volute casing with integrally cast pump feet, long-coupled design. The pump is designed with replaceable casing wear rings, closed radial impeller with multiply curved vanes, single mechanical seal or double mechanical seals to EN 12756, shaft equipped with replaceable shaft protecting sleeve in the shaft seal area. The back pull-out design allows the coupling, bearing brackets and impeller to be dismantled without the need to disconnect the pump casing from the piping. | |
| | PumpDrive 2 frequency inverter Self-cooling frequency inverter is mounted directly on the motor. Controlled by integrated PI controller. Controlled variables are pressure, differential pressure, flow rate, temperature. Display and setting of all operating parameters via a control unit with graphical display. Setpoint adjustment or control via external standard signal or via the control unit. Protective function for drive and pump. Pump and drive parameters pre-set at the factory. | |
| | Design: | |
| | Mains voltage | : 3~ 380 V AC -10 % to 480 V AC +10 % |
| | Mains frequency | : 50 - 60 Hz ± 2 % |
| | Internal power supply unit | : 24 V ± 10 %, max. 600 mA DC |
| | Enclosure | : IP55 (to EN 60529) |
| | Ambient temperature | : -10 °C to +50 °C |
| | Relative humidity in operation | : 5 % to 85 %, non-condensing |
| | Service interface | : optical |
| | Analog input | : 2 x 0/2 - 10 V or 0/4 - 20 mA |
| | Analog output | : 1 x 0 - 10 V or 4 - 20 mA |
| | Digital input | : 1 x hardware enable input, 5 x parameterisable |
| | Relay output | : 2 changeover contacts, parameterisable |
| | Bus systems (optional) | : Modbus RTU, Profibus DP, LON, BACnet MS/TP, Profinet |
| | PumpMeter | |
| | Integrated, intelligent pressure transmitter with on-site display of | |

Tender text

Project name
Project ID

Customer
Contact
E-mail
Phone

Company
Contact
E-mail
Phone

2025-01-20

Page 2 / 6

| Pos.no | Description | Item no. | Qty. | UP / EUR | TP / EUR |
|--------|--|----------|------|----------|----------|
| | operating data such as suction pressure and discharge pressure, calculates the differential pressure and establishes the pump's operating point. The measured and calculated values are shown in alternation on a user-friendly display. PumpMeter is supplied completely assembled and parameterised individually for the pump it is used with. | | | | |
| | Operating data | | | | |
| | Fluid handled : Water | | | | |
| | Flow rate : | | | | |
| | Head : | | | | |
| | Fluid temperature : 20,00 °C | | | | |
| | Permissible fluid temperature (min./max.) : 0 bis +110 | | | | |
| | Maximum operating pressure : ≤ 16 bar | | | | |
| | Ambient temperature (min./max.) : -10 to +50°C | | | | |
| | Motor/electronics | | | | |
| | MEI value : ≥ 0,4 | | | | |
| | Motor rating : 18,5 kW | | | | |
| | Max. rated current : 42 A | | | | |
| | Speed : 500 1/min ... 1.800 1/min | | | | |
| | Power supply : 3 x 380 V AC - 15 % to 480 V AC +10 % | | | | |
| | Motor size : 180M | | | | |
| | Energy efficiency class : IE4 = Super Premium Efficiency | | | | |
| | Enclosure : IP55 | | | | |
| | Motor make : KSB-Standard | | | | |
| | Materials | | | | |
| | Pump casing (102) : Grey cast iron JL1040 | | | | |
| | Impeller (230) : Steel/tempered steel E335/C45 | | | | |
| | Pump shaft (210) : Grey cast iron JL1040 | | | | |
| | Casing cover (161) : Grey cast iron JL1040 | | | | |
| | Casing wear ring, suction side (502.01): DPAF seal plate, asbestos-free | | | | |
| | Casing wear ring, discharge side (502.02): Grey cast iron GG / cast iron | | | | |
| | Shaft seal type : Single mechanical seal, conical casing cover | | | | |
| | Shaft seal material : 10 = Q1Q1X4GG | | | | |
| | Installation | | | | |
| | Installation type : Baseplate for the entire pump set (pump | | | | |



Tender text

Project name

Project ID

Customer

Contact

E-mail

Phone

Company

Contact

E-mail

Phone

2025-01-20

Page 3 / 6

| Pos.no | Description | Item no. | Qty. | UP / EUR | TP / EUR |
|--------|--|--------------------------------------|------|----------|----------|
| | + drive) | | | | |
| | Dimensions and connections | | | | |
| | Nominal size of discharge nozzle DN2 | : DN 150 | | | |
| | Nominal diameter of suction nozzle DN1 | : DN 200 | | | |
| | Nominal pressure, suction side | : 16 | | | |
| | Nominal pressure, discharge side | : 16 | | | |
| | Purchase order information | | | | |
| | Approx. net weight | : 516,6 kg | | | |
| | Make | : KSB | | | |
| | Type | : Etanorm PumpDrive 200-150-250/1854 | | | |
| | GG | | | | |
| | Material price group | : 55 | | | |
| | Material number | : 05123744 | | | |
| | Frequency controller: PumpDrive2 | | 1 | | |

Data sheet: technical data

Project name
Project ID

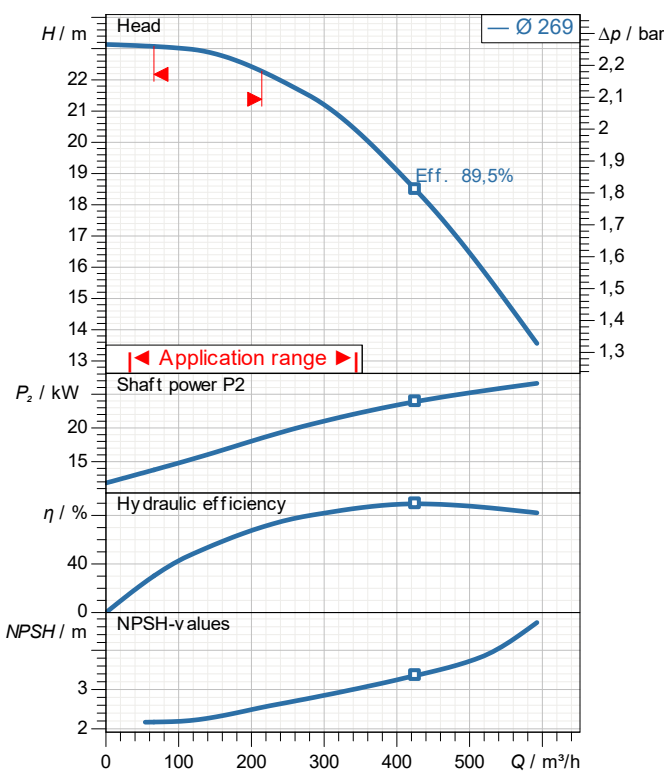
Item-No.
Design **Volute casing pump**
Type / Coding **Etanorm PumpDrive 200-150-250/1854 GG**

Customer
Contact
E-mail
Phone

Company
Contact
E-mail
Phone

2025-01-20

Page 4 / 6



demand data

Flow
Head
Geodetic head
Media Water
Liquid temperature 20 °C
Concentration 100 %

Pump data

Make KSB
Type Etanorm PumpDrive 200-150-250/1854 GG
Design Volute casing pump
Specific design Single head pump
Max. fluid temperature 140 °C

Hydraulic data (Duty point)

Flow
Head
Efficiency
Minimum Efficiency Index $\geq 0,4$

Material / sealing element

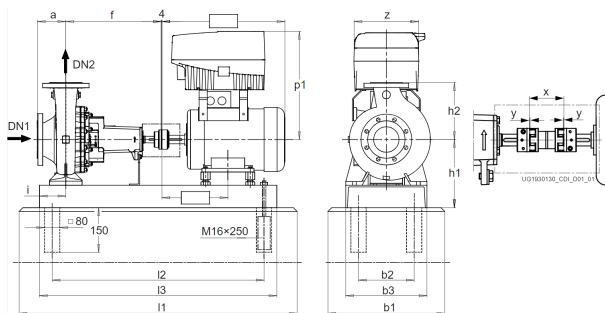
Volute casing Grey cast iron JL1040
Discharge cover Grey cast iron JL1040
Shaft Steel/tempered steel E335/C45
Impeller Grey cast iron JL1040
Bearing bracket lantern DPAF seal plate, asbestos-free
Casing wear ring Grey cast iron GG / cast iron

Motor data

Power uptake 19,6 kW
Rated power 18,5 kW
Speed 1.500 1/min
Rated voltage 400 V
Rated current 42 A
Degree of protection IP55

Product information

Ident. No./ type key 05123744
Weight loaded 516,6 kg
Gross price 32.601,21 EUR
PL 2025-01-20
Price group 55



Data sheet: performance curve

Project name
Project ID

Item-No.
Design **Volute casing pump**
Type / Coding **Etanorm PumpDrive 200-150-250/1854 GG**

Customer
Contact
E-mail
Phone

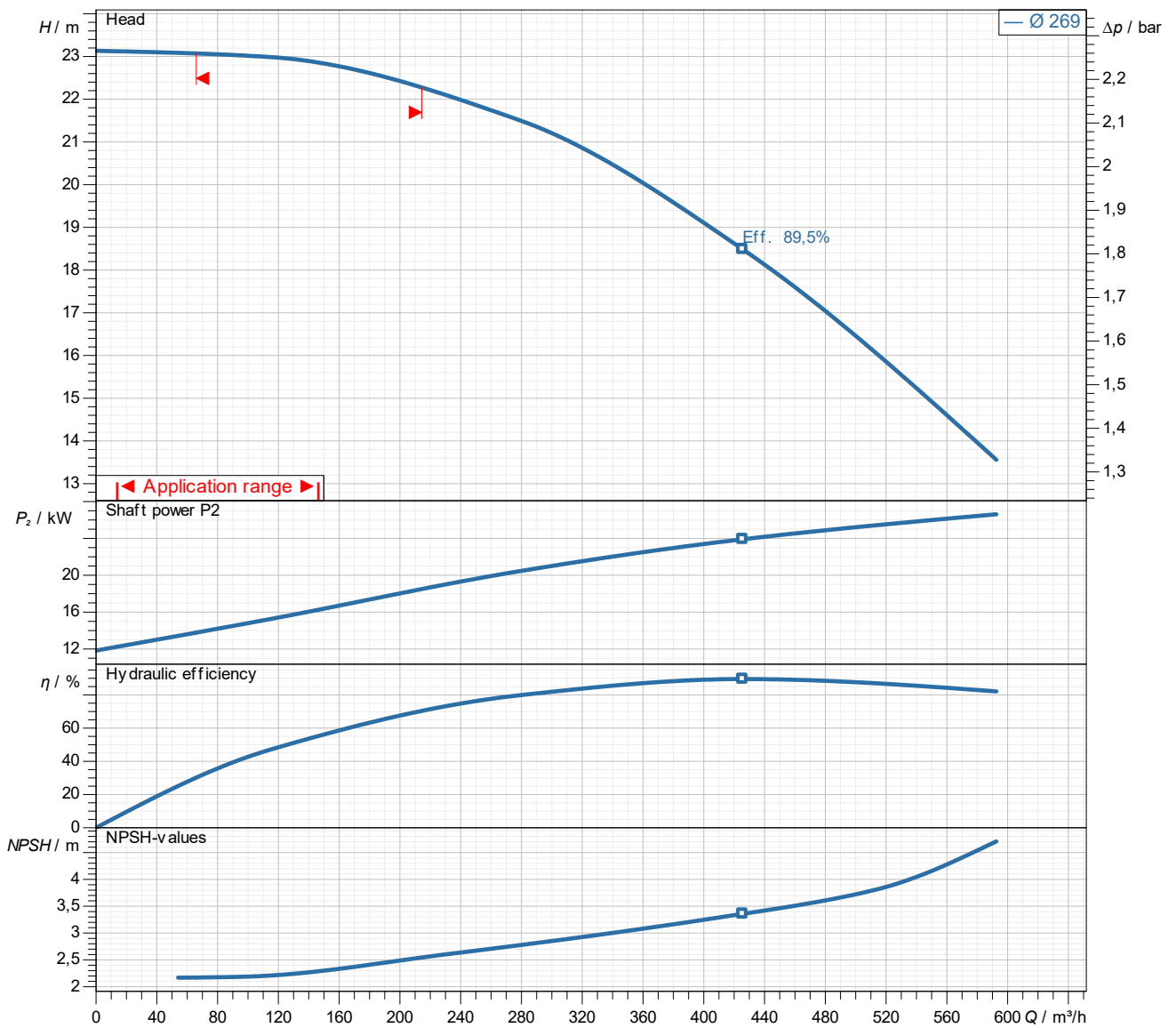
Company
Contact
E-mail
Phone

2025-01-20

Page 5 / 6

Performance curve

Etanorm PumpDrive 200-150-250/1854 GG



Density 998,3 kg/m³
Viscosity 1,005 mm²/s

Dimensions



| Name | Wert | Name | Wert |
|------|----------|------|----------|
| a | 160 mm | l2 | 1.060 mm |
| b1 | 810 mm | l3 | 1.600 mm |
| b2 | 600 mm | x | 140 mm |
| b3 | 650 mm | | |
| DN1 | 200 mm | | |
| DN2 | 150 mm | | |
| f | 470 mm | | |
| h1 | 420 mm | | |
| h2 | 400 mm | | |
| i | 112 mm | | |
| l1 | 1.750 mm | | |