

**Tender text**

**Project name**  
**Project ID**

**Customer**  
 Contact  
 E-mail  
 Phone

**Company**  
 Contact  
 E-mail  
 Phone

2025-01-20

Page 1 / 6

Pos.no	Description	Item no.
	<b>Volute casing pump</b>	
	Centrifugal pump: Etanorm PumpDrive 065-050-315/304 GG	05123654
	<b>Etanorm PumpDrive</b>	
	Horizontal single-stage volute casing pump, ratings to EN 733, radially split volute casing with integrally cast pump feet, long-coupled design. The pump is designed with replaceable casing wear rings, closed radial impeller with multiply curved vanes, single mechanical seal or double mechanical seals to EN 12756, shaft equipped with replaceable shaft protecting sleeve in the shaft seal area. The back pull-out design allows the coupling, bearing brackets and impeller to be dismantled without the need to disconnect the pump casing from the piping.	
	PumpDrive 2 frequency inverter Self-cooling frequency inverter is mounted directly on the motor. Controlled by integrated PI controller. Controlled variables are pressure, differential pressure, flow rate, temperature. Display and setting of all operating parameters via a control unit with graphical display. Setpoint adjustment or control via external standard signal or via the control unit. Protective function for drive and pump. Pump and drive parameters pre-set at the factory.	
	Design:	
	Mains voltage	: 3~ 380 V AC -10 % to 480 V AC +10 %
	Mains frequency	: 50 - 60 Hz ± 2 %
	Internal power supply unit	: 24 V ± 10 %, max. 600 mA DC
	Enclosure	: IP55 (to EN 60529)
	Ambient temperature	: -10 °C to +50 °C
	Relative humidity in operation	: 5 % to 85 %, non-condensing
	Service interface	: optical
	Analog input	: 2 x 0/2 - 10 V or 0/4 - 20 mA
	Analog output	: 1 x 0 - 10 V or 4 - 20 mA
	Digital input	: 1 x hardware enable input, 5 x parameterisable
	Relay output	: 2 changeover contacts, parameterisable
	Bus systems (optional)	: Modbus RTU, Profibus DP, LON, BACnet MS/TP, Profinet
	PumpMeter	
	Integrated, intelligent pressure transmitter with on-site display of	

**Tender text**

**Project name**  
**Project ID**

**Customer**  
Contact  
E-mail  
Phone

**Company**  
Contact  
E-mail  
Phone

2025-01-20

Page 2 / 6

Pos.no	Description	Item no.	Qty.	UP / EUR	TP / EUR
	operating data such as suction pressure and discharge pressure, calculates the differential pressure and establishes the pump's operating point. The measured and calculated values are shown in alternation on a user-friendly display. PumpMeter is supplied completely assembled and parameterised individually for the pump it is used with.				
	<b>Operating data</b>				
	Fluid handled : Water				
	Flow rate :				
	Head :				
	Fluid temperature : 20,00 °C				
	Permissible fluid temperature (min./max.) : 0 bis +110				
	Maximum operating pressure : ≤ 16 bar				
	Ambient temperature (min./max.) : -10 to +50°C				
	<b>Motor/electronics</b>				
	MEI value : ≥ 0,4				
	Motor rating : 3 kW				
	Max. rated current : 7,8 A				
	Speed : 500 1/min ... 1.800 1/min				
	Power supply : 3 x 380 V AC - 15 % to 480 V AC +10 %				
	Motor size : 100L				
	Energy efficiency class : IE5				
	Enclosure : IP55				
	Motor make : KSB-Standard				
	<b>Materials</b>				
	Pump casing (102) : Grey cast iron JL1040				
	Impeller (230) : Steel/tempered steel E335/C45				
	Pump shaft (210) : Grey cast iron JL1040				
	Casing cover (161) : Grey cast iron JL1040				
	Casing wear ring, suction side (502.01): DPAF seal plate, asbestos-free				
	Casing wear ring, discharge side (502.02): Grey cast iron GG / cast iron				
	Shaft seal type : Single mechanical seal, conical casing cover				
	Shaft seal material : 10 = Q1Q1X4GG				
	<b>Installation</b>				
	Installation type : Baseplate for the entire pump set (pump				



### Tender text

**Project name**

**Project ID**

**Customer**

Contact

E-mail

Phone

**Company**

Contact

E-mail

Phone

2025-01-20

Page 3 / 6

---

Pos.no	Description	Item no.	Qty.	UP / EUR	TP / EUR
	+ drive)				
	<b>Dimensions and connections</b>				
	Nominal size of discharge nozzle DN2	: DN 50			
	Nominal diameter of suction nozzle DN1	: DN 65			
	Nominal pressure, suction side	: 16			
	Nominal pressure, discharge side	: 16			
	<b>Purchase order information</b>				
	Approx. net weight	: 190,2 kg			
	Make	: KSB			
	Type	: Etanorm PumpDrive 065-050-315/304			
	GG				
	Material price group	: 55			
	<b>Material number</b>	: 05123654			
	Frequency controller: PumpDrive2		1		

---

**Data sheet: technical data**

**Project name**  
**Project ID**

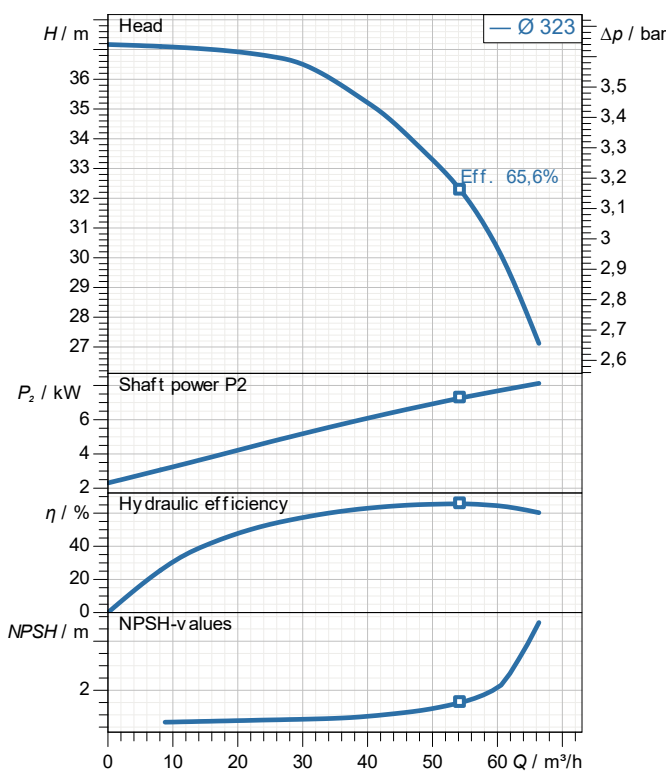
**Item-No.**  
**Design**                    **Volute casing pump**  
**Type / Coding**           **Etanorm PumpDrive 065-050-315/304 GG**

**Customer**  
Contact  
E-mail  
Phone

**Company**  
Contact  
E-mail  
Phone

2025-01-20

Page 4 / 6



**demand data**

Flow  
Head  
Geodetic head  
Media                    Water  
Liquid temperature    20 °C  
Concentration           100 %

**Pump data**

Make                    KSB  
Type                    Etanorm PumpDrive 065-050-315/304 GG  
Design                   Volute casing pump  
Specific design        Single head pump  
Max. fluid temperature 140 °C

**Hydraulic data (Duty point)**

Flow  
Head  
Efficiency  
Minimum Efficiency Index    ≥ 0,4

**Material / sealing element**

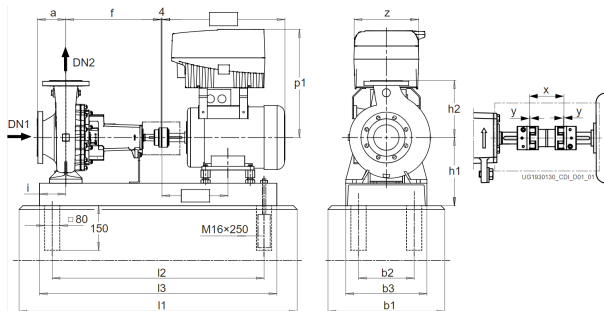
Volute casing            Grey cast iron JL1040  
Discharge cover        Grey cast iron JL1040  
Shaft                     Steel/tempered steel E335/C45  
Impeller                 Grey cast iron JL1040  
Bearing bracket lantern DPAF seal plate, asbestos-free  
Casing wear ring        Grey cast iron GG / cast iron

**Motor data**

Power uptake            3,32 kW  
Rated power             3 kW  
Speed                     1.500 1/min  
Rated voltage            400 V  
Rated current            7,8 A  
Degree of protection    IP55

**Product information**

Ident. No./ type key     05123654  
Weight loaded            190,2 kg  
Gross price              14.992,19 EUR  
PL 2025-01-20  
Price group              55



**Data sheet: performance curve**

**Project name**  
**Project ID**

**Item-No.**  
**Design**                    **Volute casing pump**  
**Type / Coding**         **Etanorm PumpDrive 065-050-315/304 GG**

**Customer**  
Contact  
E-mail  
Phone

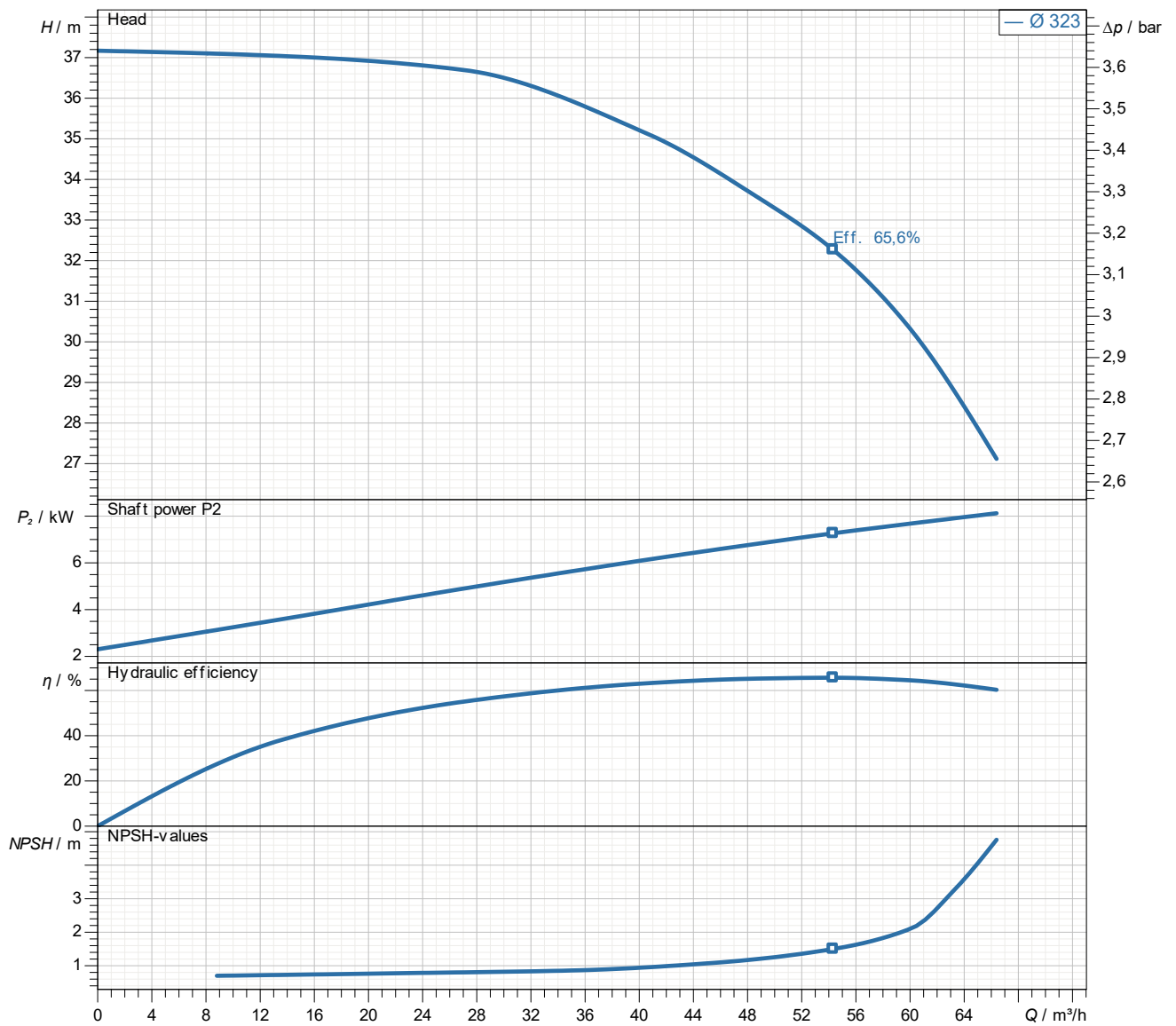
**Company**  
Contact  
E-mail  
Phone

2025-01-20

Page 5 / 6

**Performance curve**

**Etanorm PumpDrive 065-050-315/304 GG**



Density        998,3 kg/m<sup>3</sup>  
Viscosity     1,005 mm<sup>2</sup>/s

# Dimensions



Name	Wert	Name	Wert
a	125 mm	l2	840 mm
b1	500 mm	l3	900 mm
b2	280 mm	x	100 mm
b3	350 mm		
DN1	65 mm		
DN2	50 mm		
f	470 mm		
h1	325 mm		
h2	280 mm		
i	112 mm		
l1	1.050 mm		