



Tender text

Project name
Project ID

Customer
Contact
E-mail
Phone

Company
Contact
E-mail
Phone

2025-01-20

Page 1 / 7

Pos.no	Description	Item no.
	Close-coupled pumps	
	Etabloc 150-125-315/3704 GG	05126734

Etabloc

Horizontal single-stage
volute casing pump in close-coupled design, with ratings to EN 733.
Axial suction nozzle, discharge nozzle pointing radially upwards.
Shaft fitted with a replaceable shaft sleeve in the shaft seal area.
Volute casing and casing cover with replaceable casing wear rings.
Volute casing with integrally cast pump feet for variants B, C and S.
Impeller matched to the operating point for saving energy.

Operating data

Water	Fluid handled	:
	Flow rate	:
	Head	:
20,00 °C	Fluid temperature	:
temperature	Permissible fluid	
0 bis +110	(min./max.)	:
pressure	Maximum operating	
		: ≤ 16 bar
10 to +50°C	Ambient temperature:	-



Tender text

Project name
Project ID

Customer
Contact
E-mail
Phone

Company
Contact
E-mail
Phone

2025-01-20

Page 2 / 7

Pos.no	Description	Item no. (min./max.)	Qty.	UP / EUR	TP / EUR
		Motor/electronics			
	≥ 0,4	MEI value	:		
	37 kW	Motor rating	:		
	70,1 A	Max. rated current	:		
	500 1/min ... 1.900 1/min	Speed	:		
	3 x 380 V AC - 15 % to 480 V AC +10 %	Power supply	:		
	225S	Motor size	:		
		Energy efficiency class : IE3 = Premium Efficiency			
	IP55	Enclosure	:		
	KSW - IEC	Motor make	:		
		Materials			
	Grey cast iron JL1040	Pump casing (102)	:		
	Steel/tempered steel E335/C45	Impeller (230)	:		
		Pump shaft (210)	:		



Tender text

Project name
Project ID

Customer
 Contact
 E-mail
 Phone

Company
 Contact
 E-mail
 Phone

2025-01-20

Page 3 / 7

Pos.no	Description	Item no.	Qty.	UP / EUR	TP / EUR
	Grey cast iron JL1040				
		Casing cover (161)	:		
	Grey cast iron JL1040				
		Casing wear ring, suction side (502.01): DPAF seal plate, asbestos-free			
		Casing wear ring, discharge side (502.02): Grey cast iron GG / cast iron			
		Shaft seal type	:		
	Single mechanical seal with vented chamber (A-type cover)				
		Shaft seal material			
	:10 = Q1Q1X4GG				
	connections	Dimensions and			
	discharge nozzle DN2	Nominal size of	:		
	: DN 125				
	suction nozzle DN1	Nominal diameter of	:		
	: DN 150				
	suction side	Nominal pressure,	:		
	: 16				
	discharge side	Nominal pressure,	:		
	: 16				
	information	Purchase order			
		Approx. net weight	:		
	541,8 kg				
		Make	:		
	KSB				



Tender text

Project name
Project ID

Customer
Contact
E-mail
Phone

Company
Contact
E-mail
Phone

2025-01-20

Page 4 / 7

Pos.no	Description	Item no.	Qty.	UP / EUR	TP / EUR
	Etabloc 150-125-315/3704 GG	Type	:		
	V3	Material price group	:		
	05126734	Material number	:		

Data sheet: technical data

Project name
Project ID

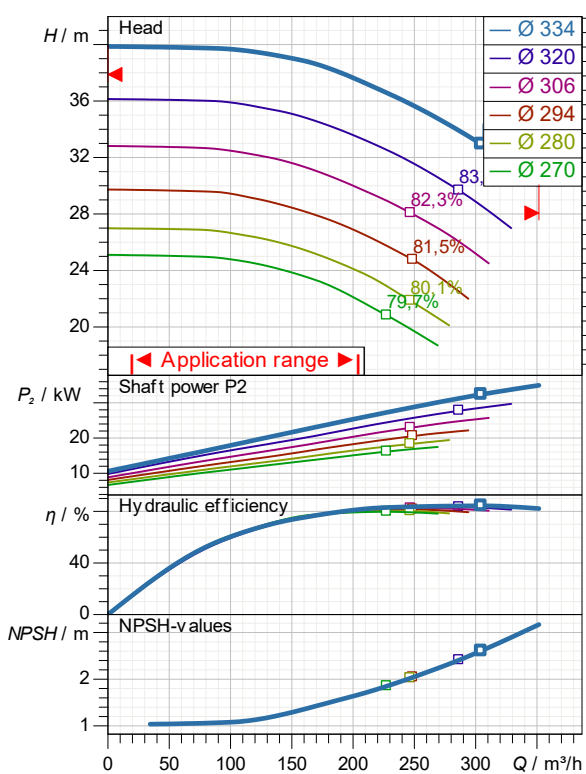
Item-No.
Design Close-coupled pumps
Type / Coding Etabloc 150-125-315/3704 GG

Customer
Contact
E-mail
Phone

Company
Contact
E-mail
Phone

2025-01-20

Page 5 / 7



demand data

Flow
Head
Geodetic head
Media Water
Liquid temperature 20 °C
Concentration 100 %

Pump data

Make KSB
Type Etabloc 150-125-315/3704 GG
Design Close-coupled pumps
Specific design Single head pump
Max. fluid temperature

Hydraulic data (Duty point)

Flow
Head
Efficiency
Minimum Efficiency Index $\geq 0,4$

Material / sealing element

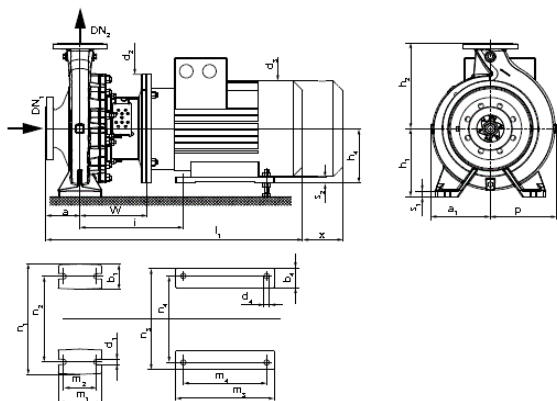
Volute casing Grey cast iron JL1040
Discharge cover Grey cast iron JL1040
Shaft Steel/tempered steel E335/C45
Impeller Grey cast iron JL1040
Bearing bracket lantern DPAF seal plate, asbestos-free
Casing wear ring Grey cast iron GG / cast iron

Motor data

Power uptake 39,4 kW
Rated power 37 kW
Speed 1.478 1/min
Rated voltage 400 V
Rated current 70,1 A
Degree of protection IP55

Product information

Ident. No./ type key 05126734
Weight loaded 541,8 kg
Gross price 25.576,80 EUR
PL 2025-01-20
Price group V3



Data sheet: performance curve

Project name
Project ID

Item-No.
Design Close-coupled pumps
Type / Coding Etabloc 150-125-315/3704 GG

Customer
Contact
E-mail
Phone

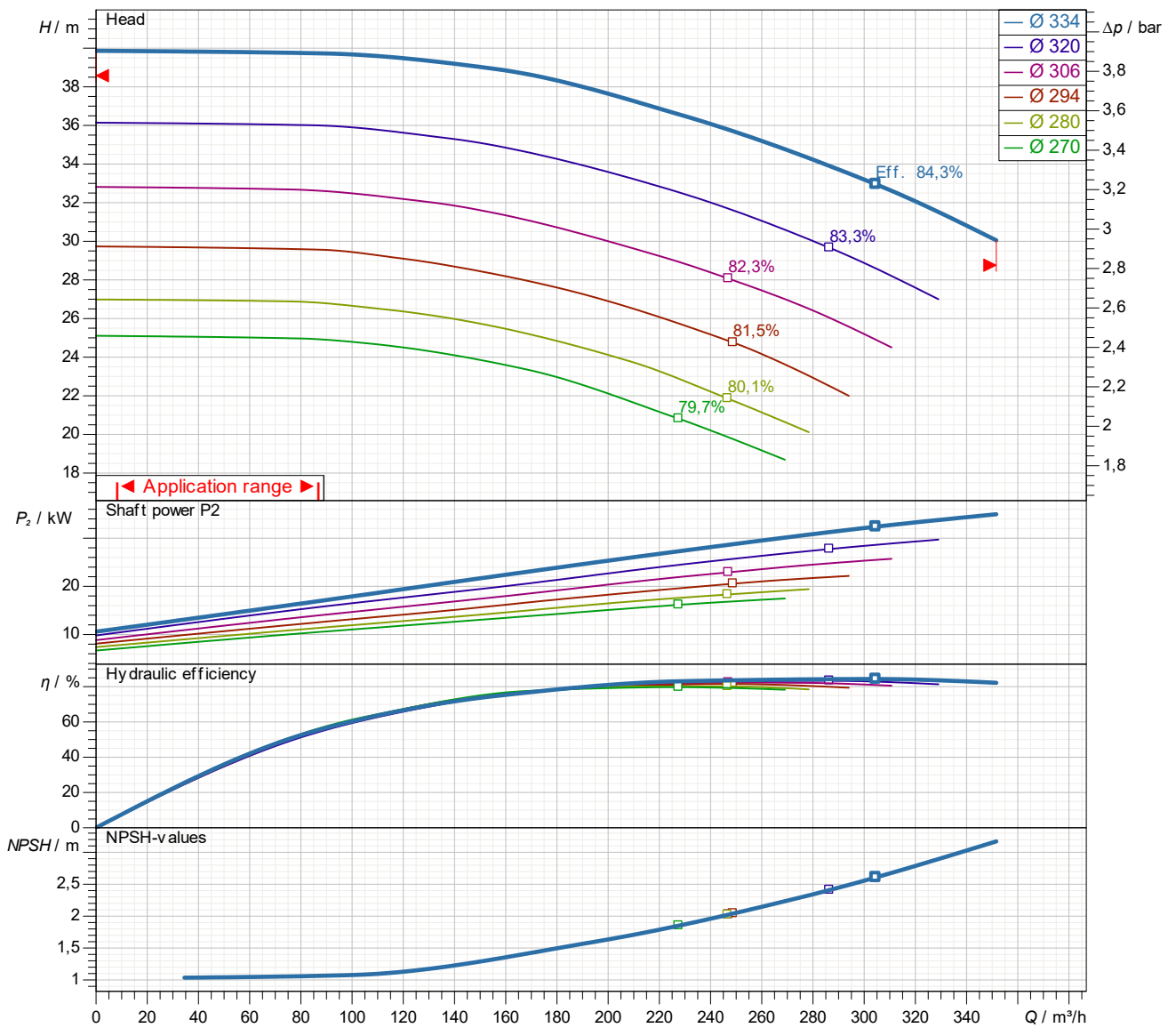
Company
Contact
E-mail
Phone

2025-01-20

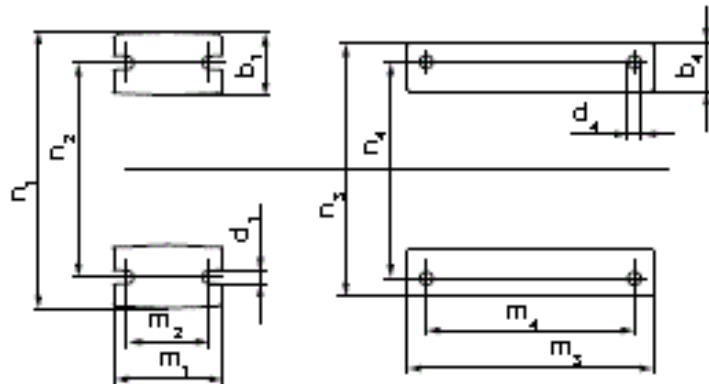
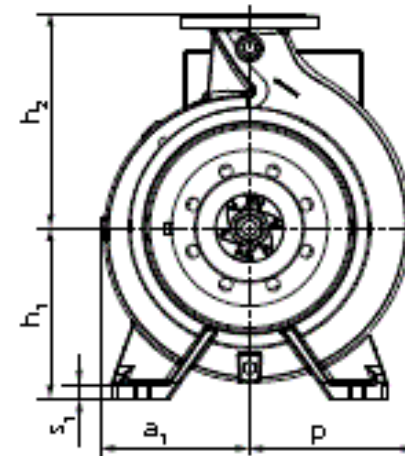
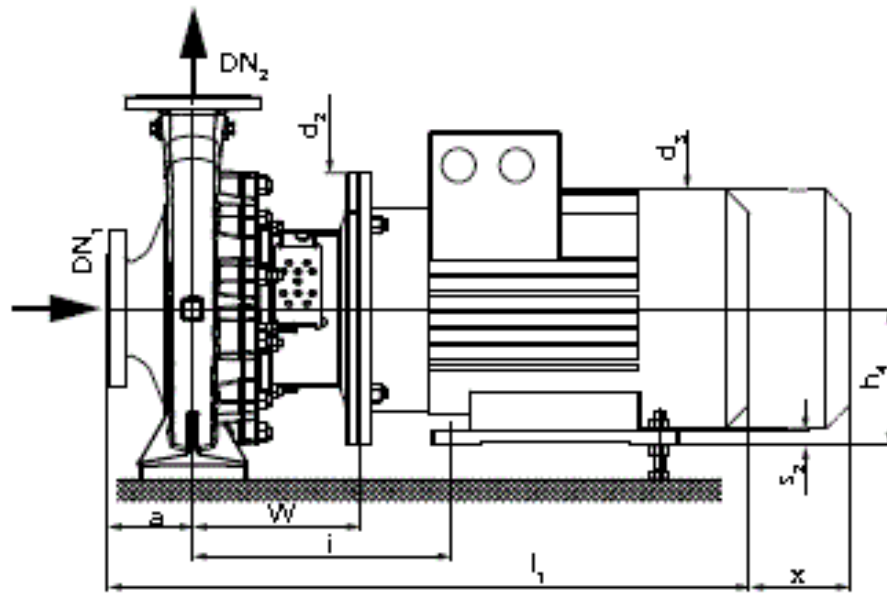
Page 6 / 7

Performance curve

Etabloc 150-125-315/3704 GG



Density 998,3 kg/m^3
Viscosity 1,005 mm^2/s



Name	Wert	Name	Wert
a	140 mm	l1	1.112 mm
a1	243 mm	m1	200 mm
b1	100 mm	m2	150 mm
d1	24 mm	m3	412 mm
d2	450 mm	m4	286 mm
d3	460 mm	n1	500 mm
DN1	150 mm	n2	400 mm
DN2	125 mm	n3	458 mm
h1	280 mm	n4	356 mm
h2	355 mm	p	280 mm
i	426 mm	s1	20 mm