



Tender text

Project name
Project ID

Customer
Contact
E-mail
Phone

Company
Contact
E-mail
Phone

2025-01-20

Page 1 / 7

| Pos.no | Description | Item no. |
|---------------|-----------------------------|-----------------|
| | Close-coupled pumps | |
| | Etabloc 150-125-250/1504 GB | 05127380 |

Etabloc

Horizontal single-stage
volute casing pump in close-coupled design, with ratings to EN 733.
Axial suction nozzle, discharge nozzle pointing radially upwards.
Shaft fitted with a replaceable shaft sleeve in the shaft seal area.
Volute casing and casing cover with replaceable casing wear rings.
Volute casing with integrally cast pump feet for variants B, C and S.
Impeller matched to the operating point for saving energy.

Operating data

| | | |
|-------------|----------------------|------------|
| Water | Fluid handled | : |
| | Flow rate | : |
| | Head | : |
| 20,00 °C | Fluid temperature | : |
| temperature | Permissible fluid | |
| 0 bis +110 | (min./max.) | : |
| pressure | Maximum operating | |
| | | : ≤ 16 bar |
| 10 to +50°C | Ambient temperature: | - |



Tender text

Project name
Project ID

Customer
Contact
E-mail
Phone

Company
Contact
E-mail
Phone

2025-01-20

Page 2 / 7

| Pos.no | Description | Item no. (min./max.) | Qty. | UP / EUR | TP / EUR |
|--------|---------------------------------------|---|------|----------|----------|
| | | Motor/electronics | | | |
| | ≥ 0,4 | MEI value | : | | |
| | 15 kW | Motor rating | : | | |
| | 30,1 A | Max. rated current | : | | |
| | 500 1/min ... 2.000 1/min | Speed | : | | |
| | 3 x 380 V AC - 15 % to 480 V AC +10 % | Power supply | : | | |
| | 160L | Motor size | : | | |
| | | Energy efficiency class : IE3 = Premium Efficiency | | | |
| | IP55 | Enclosure | : | | |
| | KSW - IEC | Motor make | : | | |
| | | Materials | | | |
| | Grey cast iron JL1040 | Pump casing (102) | : | | |
| | Tin bronze CC480K-GS / B30 C90700 | Impeller (230) | : | | |
| | | Pump shaft (210) | : | | |



Tender text

Project name
Project ID

Customer
 Contact
 E-mail
 Phone

Company
 Contact
 E-mail
 Phone

2025-01-20

Page 3 / 7

| Pos.no | Description | Item no. | Qty. | UP / EUR | TP / EUR |
|--------|---|-----------------------|------|----------|----------|
| | Steel/tempered steel E335/C45 | | | | |
| | Grey cast iron JL1040 | Casing cover (161) | : | | |
| | suction side (502.01): DPAF seal plate, asbestos-free | Casing wear ring, | | | |
| | discharge side (502.02): Grey cast iron GG / cast iron | Casing wear ring, | | | |
| | Single mechanical seal with vented chamber (A-type cover) | Shaft seal type | : | | |
| | :10 = Q1Q1X4GG | Shaft seal material | | | |
| | connections | Dimensions and | | | |
| | discharge nozzle DN2 : DN 125 | Nominal size of | | | |
| | suction nozzle DN1 : DN 150 | Nominal diameter of | | | |
| | suction side : 16 | Nominal pressure, | | | |
| | discharge side : 16 | Nominal pressure, | | | |
| | information | Purchase order | | | |
| | 232 kg | Approx. net weight | : | | |
| | KSB | Make | : | | |



Tender text

Project name
Project ID

Customer
Contact
E-mail
Phone

Company
Contact
E-mail
Phone

2025-01-20

Page 4 / 7

| Pos.no | Description | Item no. | Qty. | UP / EUR | TP / EUR |
|---------------|-----------------------------|----------------------|-------------|-----------------|-----------------|
| | Etabloc 150-125-250/1504 GB | Type | : | | |
| | V3 | Material price group | : | | |
| | 05127380 | Material number | : | | |

Data sheet: technical data

Project name
Project ID

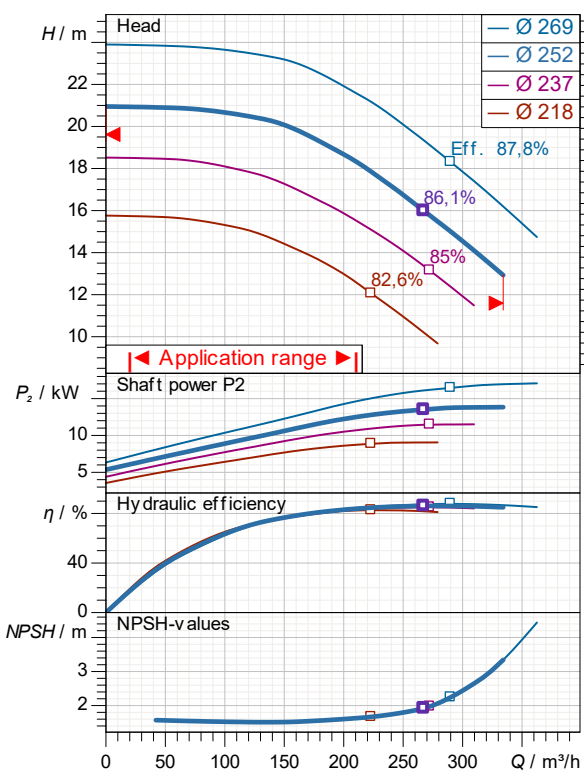
Item-No.
Design Close-coupled pumps
Type / Coding Etabloc 150-125-250/1504 GB

Customer
Contact
E-mail
Phone

Company
Contact
E-mail
Phone

2025-01-20

Page 5 / 7



demand data

Flow
Head
Geodetic head
Media Water
Liquid temperature 20 °C
Concentration 100 %

Pump data

Make KSB
Type Etabloc 150-125-250/1504 GB
Design Close-coupled pumps
Specific design Single head pump
Max. fluid temperature 140 °C

Hydraulic data (Duty point)

Flow
Head
Efficiency
Minimum Efficiency Index $\geq 0,4$

Material / sealing element

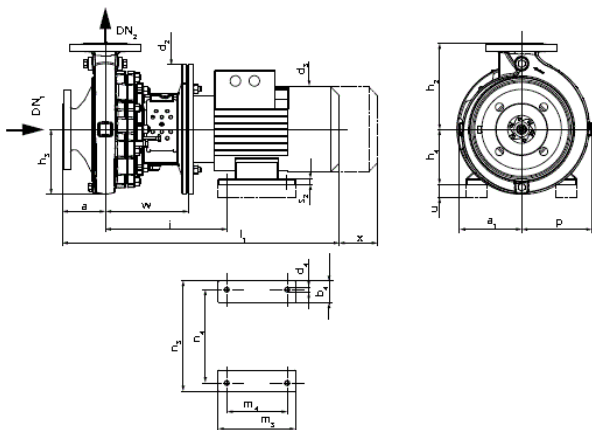
Volute casing Grey cast iron JL1040
Discharge cover Grey cast iron JL1040
Impeller Tin bronze CC480K-GS / B30 C90700
Shaft Steel/tempered steel E335/C45
Bearing bracket lantern DPAF seal plate, asbestos-free
Casing wear ring Grey cast iron GG / cast iron

Motor data

Power uptake 16,3 kW
Rated power 15 kW
Speed 1.465 1/min
Rated voltage 400 V
Rated current 30,1 A
Degree of protection IP55

Product information

Ident. No./ type key 05127380
Weight loaded 232 kg
Gross price 16.333,67 EUR
PL 2025-01-20
Price group V3



Data sheet: performance curve

Project name
Project ID

Item-No.
Design Close-coupled pumps
Type / Coding Etabloc 150-125-250/1504 GB

Customer
Contact
E-mail
Phone

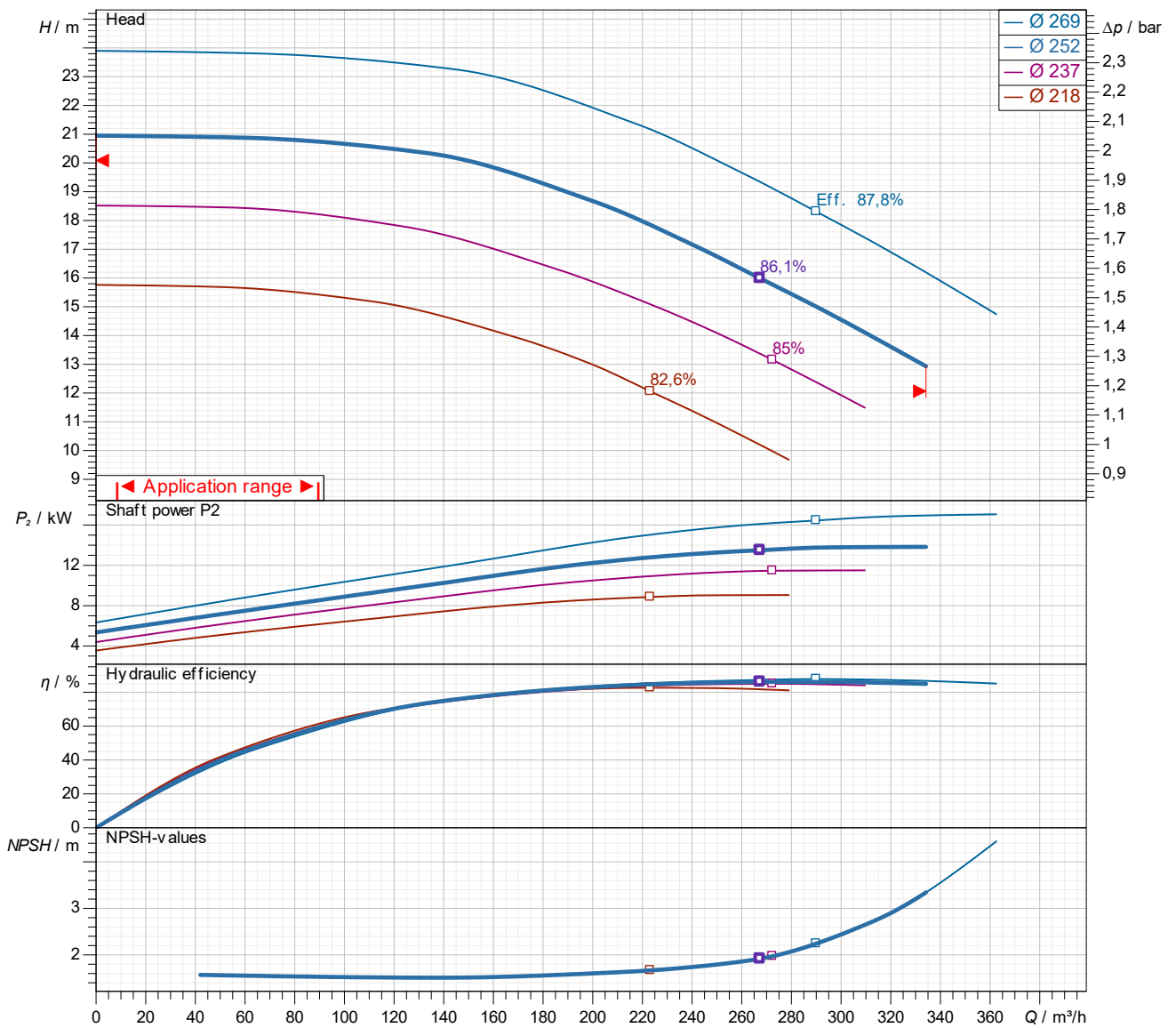
Company
Contact
E-mail
Phone

2025-01-20

Page 6 / 7

Performance curve

Etabloc 150-125-250/1504 GB



Density 998,3 kg/m^3
Viscosity 1,005 mm^2/s

