



Tender text

Project name
Project ID

Customer
Contact
E-mail
Phone

Company
Contact
E-mail
Phone

2025-01-20

Page 1 / 7

Pos.no	Description	Item no.
	Close-coupled pumps	
	Etabloc 100-080-400/3004 CC	05127996

Etabloc

Horizontal single-stage
volute casing pump in close-coupled design, with ratings to EN 733.
Axial suction nozzle, discharge nozzle pointing radially upwards.
Shaft fitted with a replaceable shaft sleeve in the shaft seal area.
Volute casing and casing cover with replaceable casing wear rings.
Volute casing with integrally cast pump feet for variants B, C and S.
Impeller matched to the operating point for saving energy.

Operating data

Water	Fluid handled	:
	Flow rate	:
	Head	:
20,00 °C	Fluid temperature	:
temperature	Permissible fluid	
0 bis +110	(min./max.)	:
pressure	Maximum operating	
		: ≤ 16 bar
10 to +50°C	Ambient temperature:	-

Tender text

Project name

Project ID

Customer

Contact

E-mail

Phone

Company

Contact

E-mail

Phone

2025-01-20

Page 2 / 7

Pos.no	Description	Item no. (min./max.)	Qty.	UP / EUR	TP / EUR
		Motor/electronics			
	≥ 0,4	MEI value	:		
	30 kW	Motor rating	:		
	59,2 A	Max. rated current	:		
	500 1/min ... 1.900 1/min	Speed	:		
	3 x 380 V AC - 15 % to 480 V AC +10 %	Power supply	:		
	200L	Motor size	:		
		Energy efficiency class			
		: IE3 = Premium Efficiency			
	IP55	Enclosure	:		
	KSW - IEC	Motor make	:		
		Materials			
	CrNiMo steel 1.4408	Pump casing (102)	:		
	CrNiMo steel 1.4408	Impeller (230)	:		
		Pump shaft (210)	:		



Tender text

Project name
Project ID

Customer
 Contact
 E-mail
 Phone

Company
 Contact
 E-mail
 Phone

2025-01-20

Page 3 / 7

Pos.no	Description	Item no.	Qty.	UP / EUR	TP / EUR
	A4/ AISI 316				
	CrNiMo steel 1.4571	Casing cover (161)	:		
	suction side (502.01): A4/ AISI 316	Casing wear ring,			
	discharge side (502.02): A4-70/ A193 Gr. B8M CL2	Casing wear ring,			
	Single mechanical seal with vented chamber (A-type cover)	Shaft seal type	:		
	:10 = Q1Q1X4GG	Shaft seal material			
	connections	Dimensions and			
	discharge nozzle DN2 : DN 80	Nominal size of			
	suction nozzle DN1 : DN 100	Nominal diameter of			
	suction side : 16	Nominal pressure,			
	discharge side : 16	Nominal pressure,			
	information	Purchase order			
	397,2 kg	Approx. net weight	:		
	KSB	Make	:		



Tender text

Project name
Project ID

Customer
Contact
E-mail
Phone

Company
Contact
E-mail
Phone

2025-01-20

Page 4 / 7

Pos.no	Description	Item no.	Qty.	UP / EUR	TP / EUR
	Etabloc 100-080-400/3004 CC	Type	:		
	V3	Material price group	:		
	05127996	Material number	:		

Data sheet: technical data

Project name
Project ID

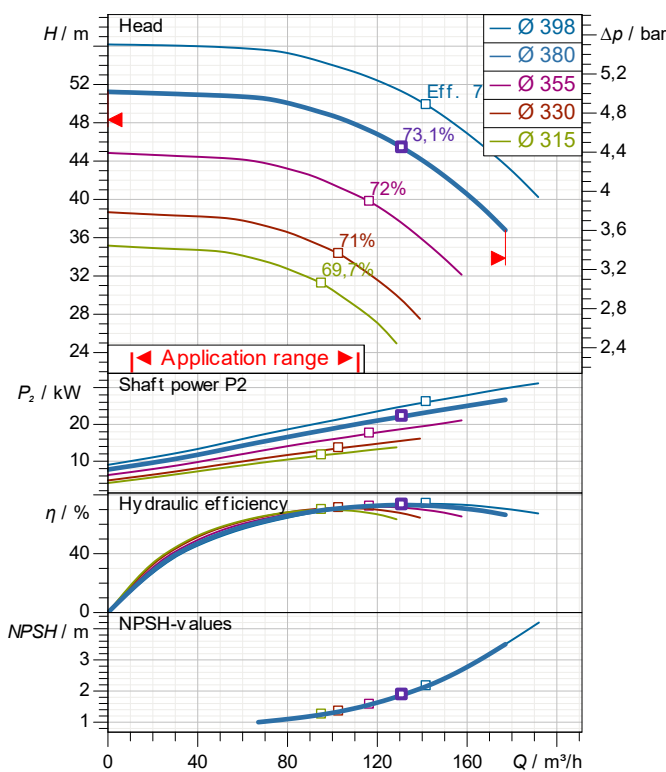
Item-No.
Design Close-coupled pumps
Type / Coding Etabloc 100-080-400/3004 CC

Customer
Contact
E-mail
Phone

Company
Contact
E-mail
Phone

2025-01-20

Page 5 / 7



demand data

Flow
Head
Geodetic head
Media Water
Liquid temperature 20 °C
Concentration 100 %

Pump data

Make KSB
Type Etabloc 100-080-400/3004 CC
Design Close-coupled pumps
Specific design Single head pump
Max. fluid temperature

Hydraulic data (Duty point)

Flow
Head
Efficiency
Minimum Efficiency Index $\geq 0,4$

Material / sealing element

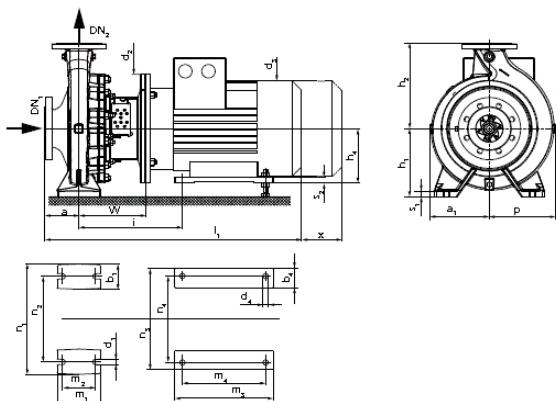
Volute casing CrNiMo steel 1.4408
Shaft CrNiMo steel 1.4571
Impeller CrNiMo steel 1.4408
Impeller nut A4/ AISI 316
Screw plug A4/ AISI 316
Stud A4-70/ A 193 Gr. B8M CL2

Motor data

Power uptake 32,1 kW
Rated power 30 kW
Speed 1.470 1/min
Rated voltage 400 V
Rated current 59,2 A
Degree of protection IP55

Product information

Ident. No./ type key 05127996
Weight loaded 397,2 kg
Gross price 53.227,53 EUR
PL 2025-01-20
Price group V3



Data sheet: performance curve

Project name
Project ID

Item-No.
Design Close-coupled pumps
Type / Coding Etabloc 100-080-400/3004 CC

Customer
Contact
E-mail
Phone

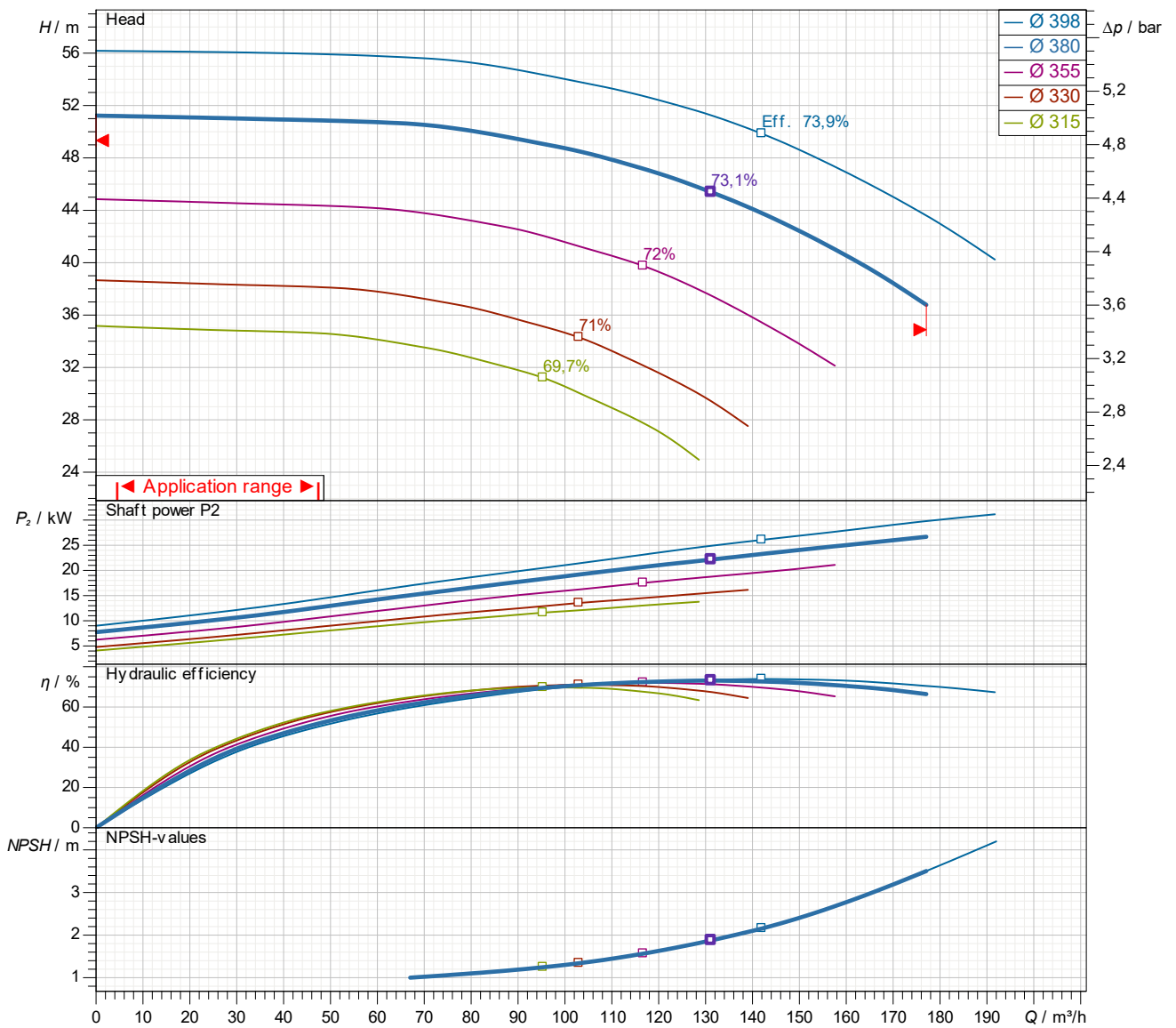
Company
Contact
E-mail
Phone

2025-01-20

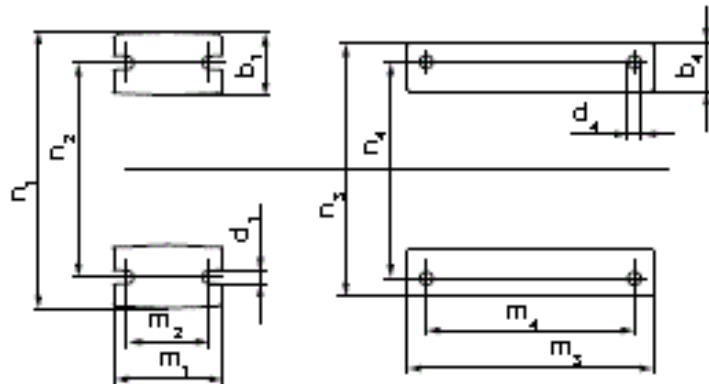
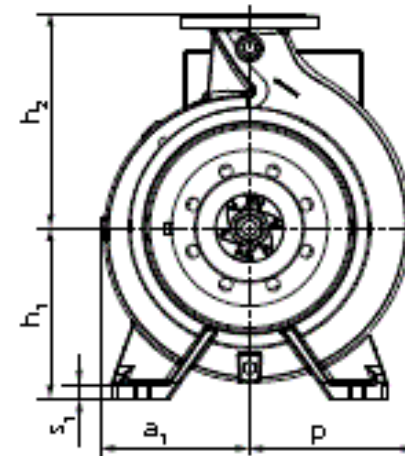
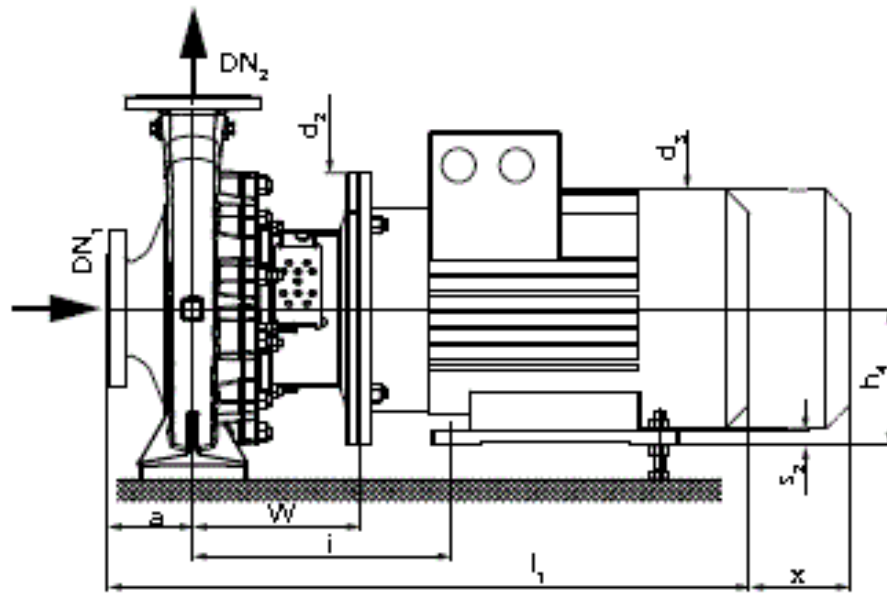
Page 6 / 7

Performance curve

Etabloc 100-080-400/3004 CC



Density 998,3 kg/m³
Viscosity 1,005 mm²/s



Name	Wert	Name	Wert
a	125 mm	n2	355 mm
a1	257 mm	p	280 mm
b1	80 mm	s1	20 mm
d1	19 mm	x	140 mm
DN1	100 mm		
DN2	80 mm		
h1	380 mm		
h2	355 mm		
m1	160 mm		
m2	120 mm		
n1	435 mm		