



**Tender text**

**Project name**  
**Project ID**

**Customer**  
Contact  
E-mail  
Phone

**Company**  
Contact  
E-mail  
Phone

2025-01-20

Page 1 / 7

---

<b>Pos.no</b>	<b>Description</b>	<b>Item no.</b>
	<b>Close-coupled pumps</b>	
	Etabloc 125-100-400/3004 CC	05128020

**Etabloc**

Horizontal single-stage  
volute casing pump in close-coupled design, with ratings to EN 733.  
Axial suction nozzle, discharge nozzle pointing radially upwards.  
Shaft fitted with a replaceable shaft sleeve in the shaft seal area.  
Volute casing and casing cover with replaceable casing wear rings.  
Volute casing with integrally cast pump feet for variants B, C and S.  
Impeller matched to the operating point for saving energy.

**Operating data**

Water	Fluid handled	:
	Flow rate	:
	Head	:
20,00 °C	Fluid temperature	:
temperature	Permissible fluid	
0 bis +110	(min./max.)	:
pressure	Maximum operating	
		: ≤ 16 bar
10 to +50°C	Ambient temperature:	-



### Tender text

**Project name**

**Project ID**

**Customer**

Contact

E-mail

Phone

**Company**

Contact

E-mail

Phone

2025-01-20

Page 2 / 7

Pos.no	Description	Item no. (min./max.)	Qty.	UP / EUR	TP / EUR
		<b>Motor/electronics</b>			
	≥ 0,4	MEI value	:		
	30 kW	Motor rating	:		
	59,2 A	Max. rated current	:		
	500 1/min ... 1.900 1/min	Speed	:		
	3 x 380 V AC - 15 % to 480 V AC +10 %	Power supply	:		
	200L	Motor size	:		
		Energy efficiency class : IE3 = Premium Efficiency			
	IP55	Enclosure	:		
	KSW - IEC	Motor make	:		
		<b>Materials</b>			
	CrNiMo steel 1.4408	Pump casing (102)	:		
	CrNiMo steel 1.4408	Impeller (230)	:		
		Pump shaft (210)	:		



**Tender text**

**Project name**  
**Project ID**

**Customer**  
 Contact  
 E-mail  
 Phone

**Company**  
 Contact  
 E-mail  
 Phone

2025-01-20

Page 3 / 7

Pos.no	Description	Item no.	Qty.	UP / EUR	TP / EUR
	A4/ AISI 316				
	CrNiMo steel 1.4571	Casing cover (161)	:		
	suction side (502.01): A4/ AISI 316	Casing wear ring,			
	discharge side (502.02): A4-70/ A193 Gr. B8M CL2	Casing wear ring,			
	Single mechanical seal with vented chamber (A-type cover)	Shaft seal type	:		
	:10 = Q1Q1X4GG	Shaft seal material			
	<b>connections</b>	<b>Dimensions and</b>			
	discharge nozzle DN2 : DN 100	Nominal size of			
	suction nozzle DN1 : DN 125	Nominal diameter of			
	suction side : 16	Nominal pressure,			
	discharge side : 16	Nominal pressure,			
	<b>information</b>	<b>Purchase order</b>			
	412,4 kg	Approx. net weight	:		
	KSB	Make	:		



**Tender text**

**Project name**  
**Project ID**

**Customer**  
Contact  
E-mail  
Phone

**Company**  
Contact  
E-mail  
Phone

2025-01-20

Page 4 / 7

---

<b>Pos.no</b>	<b>Description</b>	<b>Item no.</b>	<b>Qty.</b>	<b>UP / EUR</b>	<b>TP / EUR</b>
	Etabloc 125-100-400/3004 CC	Type	:		
	V3	Material price group	:		
	05128020	Material number	:		

---

**Data sheet: technical data**

**Project name**  
**Project ID**

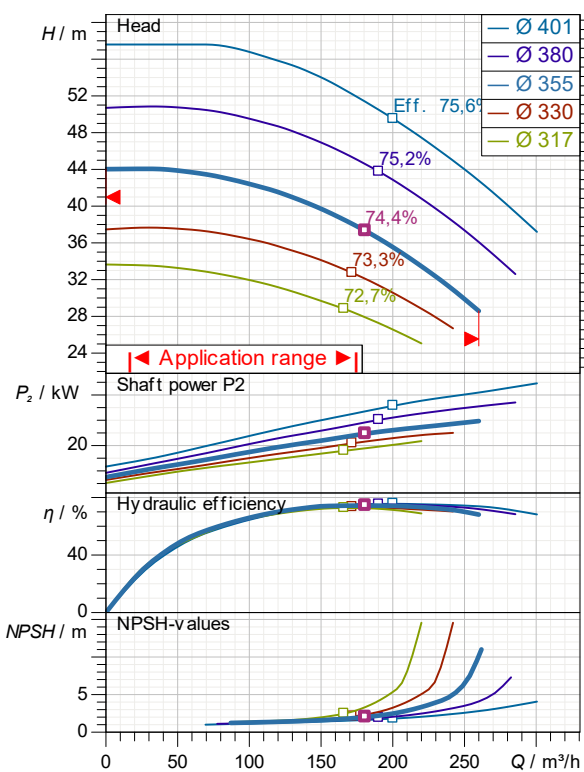
**Item-No.**  
**Design** Close-coupled pumps  
**Type / Coding** Etabloc 125-100-400/3004 CC

**Customer**  
Contact  
E-mail  
Phone

**Company**  
Contact  
E-mail  
Phone

2025-01-20

Page 5 / 7



**demand data**

Flow  
Head  
Geodetic head  
Media Water  
Liquid temperature 20 °C  
Concentration 100 %

**Pump data**

Make KSB  
Type Etabloc 125-100-400/3004 CC  
Design Close-coupled pumps  
Specific design Single head pump  
Max. fluid temperature

**Hydraulic data (Duty point)**

Flow  
Head  
Efficiency  
Minimum Efficiency Index  $\geq 0,4$

**Material / sealing element**

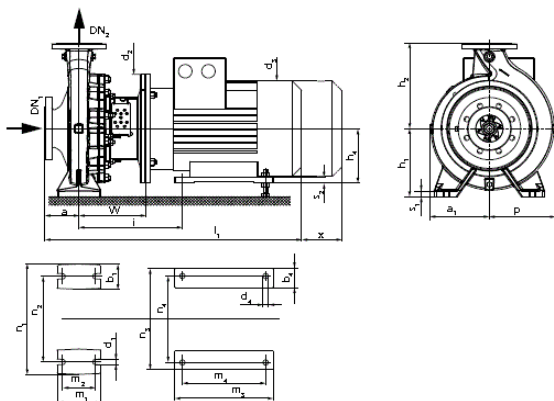
Volute casing CrNiMo steel 1.4408  
Shaft CrNiMo steel 1.4571  
Impeller CrNiMo steel 1.4408  
Impeller nut A4/ AISI 316  
Screw plug A4/ AISI 316  
Stud A4-70/ A193 Gr. B8M CL2

**Motor data**

Power uptake 32,1 kW  
Rated power 30 kW  
Speed 1.470 1/min  
Rated voltage 400 V  
Rated current 59,2 A  
Degree of protection IP55

**Product information**

Ident. No./ type key 05128020  
Weight loaded 412,4 kg  
Gross price 54.686,79 EUR  
PL 2025-01-20  
Price group V3



**Data sheet: performance curve**

**Project name**  
**Project ID**

**Item-No.**  
**Design** Close-coupled pumps  
**Type / Coding** Etabloc 125-100-400/3004 CC

**Customer**  
Contact  
E-mail  
Phone

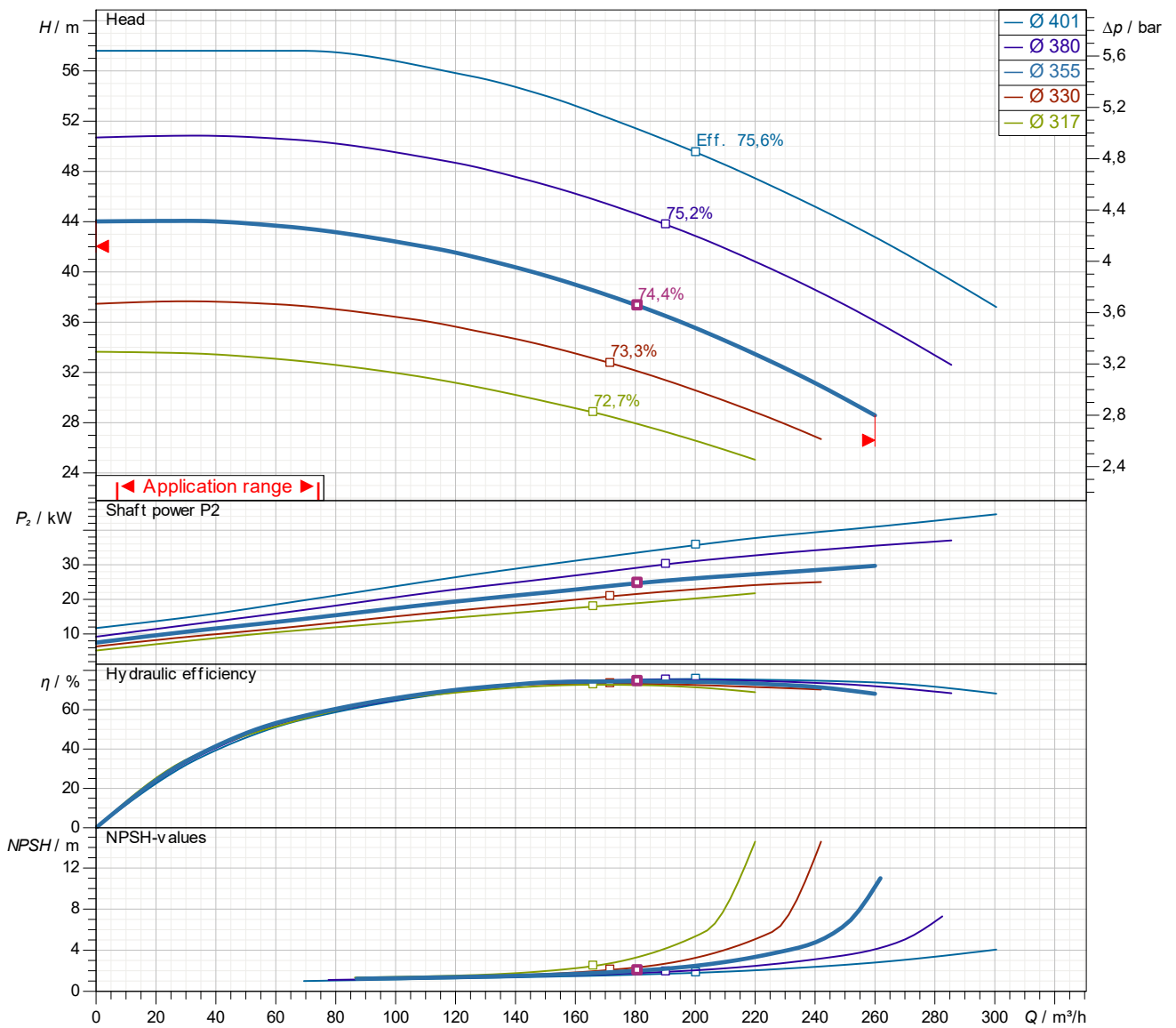
**Company**  
Contact  
E-mail  
Phone

2025-01-20

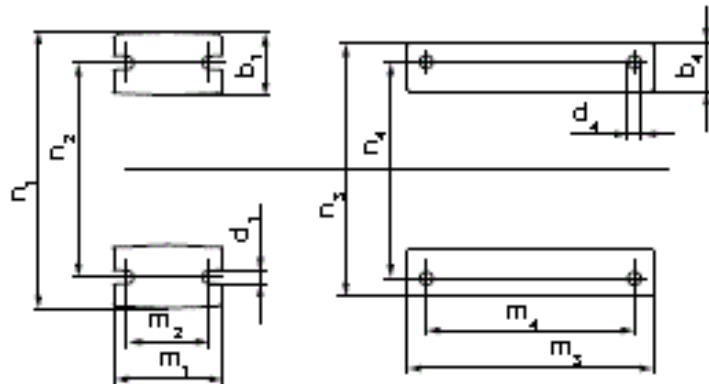
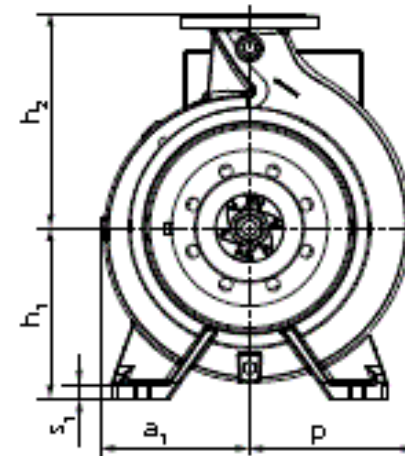
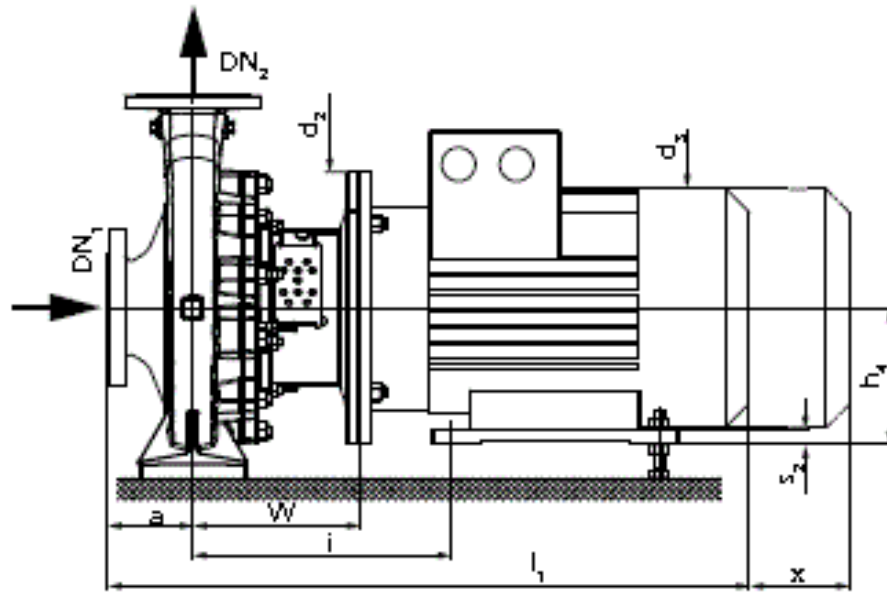
Page 6 / 7

**Performance curve**

**Etabloc 125-100-400/3004 CC**



Density 998,3 kg/m<sup>3</sup>  
Viscosity 1,005 mm<sup>2</sup>/s



Name	Wert	Name	Wert
a	140 mm	i	379 mm
a1	255 mm	l1	1.055 mm
b1	100 mm	m1	200 mm
d1	24 mm	m2	150 mm
d2	400 mm	m3	388 mm
d3	422 mm	m4	305 mm
DN1	125 mm	n1	500 mm
DN2	100 mm	n2	400 mm
h1	280 mm	n3	404 mm
h2	355 mm	n4	318 mm
h4	200 mm	p	283 mm