



**Tender text**

**Project name**  
**Project ID**

**Customer**  
Contact  
E-mail  
Phone

**Company**  
Contact  
E-mail  
Phone

2025-01-20

Page 1 / 7

---

<b>Pos.no</b>	<b>Description</b>	<b>Item no.</b>
	<b>Close-coupled pumps</b>	
	Etabloc 150-125-250/1854 CC	05128032

**Etabloc**

Horizontal single-stage  
volute casing pump in close-coupled design, with ratings to EN 733.  
Axial suction nozzle, discharge nozzle pointing radially upwards.  
Shaft fitted with a replaceable shaft sleeve in the shaft seal area.  
Volute casing and casing cover with replaceable casing wear rings.  
Volute casing with integrally cast pump feet for variants B, C and S.  
Impeller matched to the operating point for saving energy.

**Operating data**

Water	Fluid handled	:
	Flow rate	:
	Head	:
20,00 °C	Fluid temperature	:
temperature	Permissible fluid	
0 bis +110	(min./max.)	:
pressure	Maximum operating	
		: ≤ 16 bar
10 to +50°C	Ambient temperature:	-



**Tender text**

**Project name**  
**Project ID**

**Customer**  
Contact  
E-mail  
Phone

**Company**  
Contact  
E-mail  
Phone

2025-01-20

Page 2 / 7

---

Pos.no	Description	Item no. (min./max.)	Qty.	UP / EUR	TP / EUR
		<b>Motor/electronics</b>			
	≥ 0,4	MEI value	:		
	18,5 kW	Motor rating	:		
	36,8 A	Max. rated current	:		
	500 1/min ... 2.000 1/min	Speed	:		
	3 x 380 V AC - 15 % to 480 V AC +10 %	Power supply	:		
	180M	Motor size	:		
		Energy efficiency class : IE3 = Premium Efficiency			
	IP55	Enclosure	:		
	KSW - IEC	Motor make	:		
		<b>Materials</b>			
	CrNiMo steel 1.4408	Pump casing (102)	:		
	CrNiMo steel 1.4408	Impeller (230)	:		
		Pump shaft (210)	:		



**Tender text**

**Project name**  
**Project ID**

**Customer**  
Contact  
E-mail  
Phone

**Company**  
Contact  
E-mail  
Phone

2025-01-20

Page 3 / 7

Pos.no	Description	Item no.	Qty.	UP / EUR	TP / EUR
	A4/ AISI 316				
	CrNiMo steel 1.4571	Casing cover (161)	:		
	suction side (502.01): A4/ AISI 316	Casing wear ring,			
	discharge side (502.02): A4-70/ A193 Gr. B8M CL2	Casing wear ring,			
	Single mechanical seal with vented chamber (A-type cover)	Shaft seal type	:		
	:10 = Q1Q1X4GG	Shaft seal material			
	<b>connections</b>	<b>Dimensions and</b>			
	discharge nozzle DN2 : DN 125	Nominal size of			
	suction nozzle DN1 : DN 150	Nominal diameter of			
	suction side : 16	Nominal pressure,			
	discharge side : 16	Nominal pressure,			
	<b>information</b>	<b>Purchase order</b>			
	287,8 kg	Approx. net weight	:		
	KSB	Make	:		



**Tender text**

**Project name**  
**Project ID**

**Customer**  
Contact  
E-mail  
Phone

**Company**  
Contact  
E-mail  
Phone

2025-01-20

Page 4 / 7

---

<b>Pos.no</b>	<b>Description</b>	<b>Item no.</b>	<b>Qty.</b>	<b>UP / EUR</b>	<b>TP / EUR</b>
	Etabloc 150-125-250/1854 CC	Type	:		
	V3	Material price group	:		
	05128032	Material number	:		

---

**Data sheet: technical data**

**Project name**  
**Project ID**

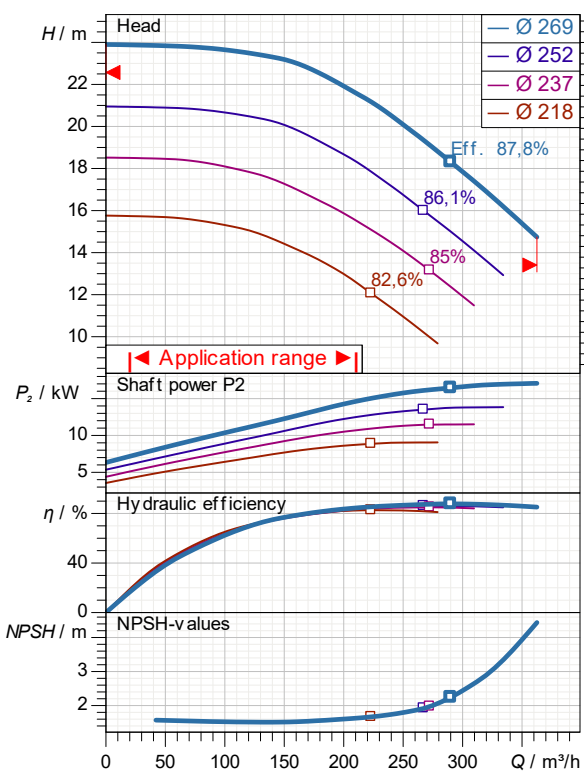
**Item-No.**  
**Design**                   **Close-coupled pumps**  
**Type / Coding**           **Etabloc 150-125-250/1854 CC**

**Customer**  
Contact  
E-mail  
Phone

**Company**  
Contact  
E-mail  
Phone

2025-01-20

Page 5 / 7



**demand data**

Flow  
Head  
Geodetic head  
Media                           Water  
Liquid temperature       20 °C  
Concentration               100 %

**Pump data**

Make                           KSB  
Type                           Etabloc 150-125-250/1854 CC  
Design                       Close-coupled pumps  
Specific design             Single head pump  
Max. fluid temperature

**Hydraulic data (Duty point)**

Flow  
Head  
Efficiency  
Minimum Efficiency Index   ≥ 0,4

**Material / sealing element**

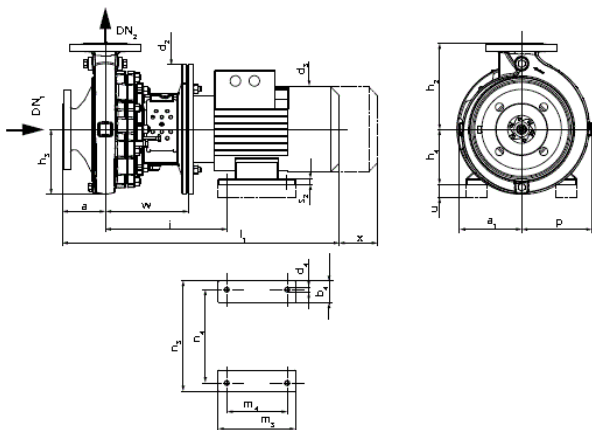
Volute casing               CrNiMo steel 1.4408  
Shaft                           CrNiMo steel 1.4571  
Impeller                      CrNiMo steel 1.4408  
Impeller nut                A4/ AISI 316  
Screw plug                  A4/ AISI 316  
Stud                         A4-70/ A193 Gr. B8M CL2

**Motor data**

Power uptake               20 kW  
Rated power                18,5 kW  
Speed                         1.470 1/min  
Rated voltage               400 V  
Rated current               36,8 A  
Degree of protection      IP55

**Product information**

Ident. No./ type key       05128032  
Weight loaded              287,8 kg  
Gross price                 44.278,31 EUR  
PL 2025-01-20  
Price group                 V3



**Data sheet: performance curve**

**Project name**  
**Project ID**

**Item-No.**  
**Design** Close-coupled pumps  
**Type / Coding** Etabloc 150-125-250/1854 CC

**Customer**  
Contact  
E-mail  
Phone

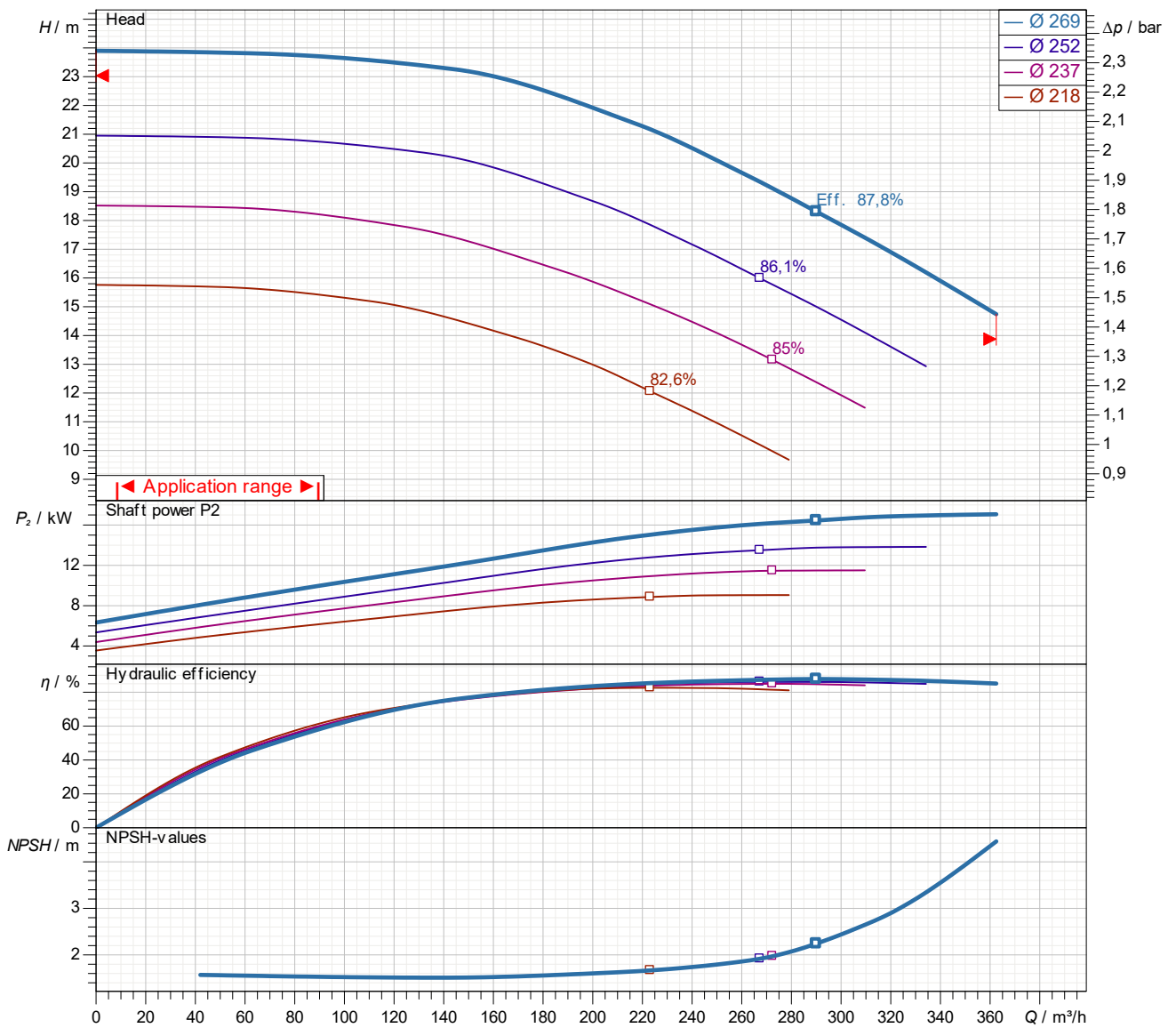
**Company**  
Contact  
E-mail  
Phone

2025-01-20

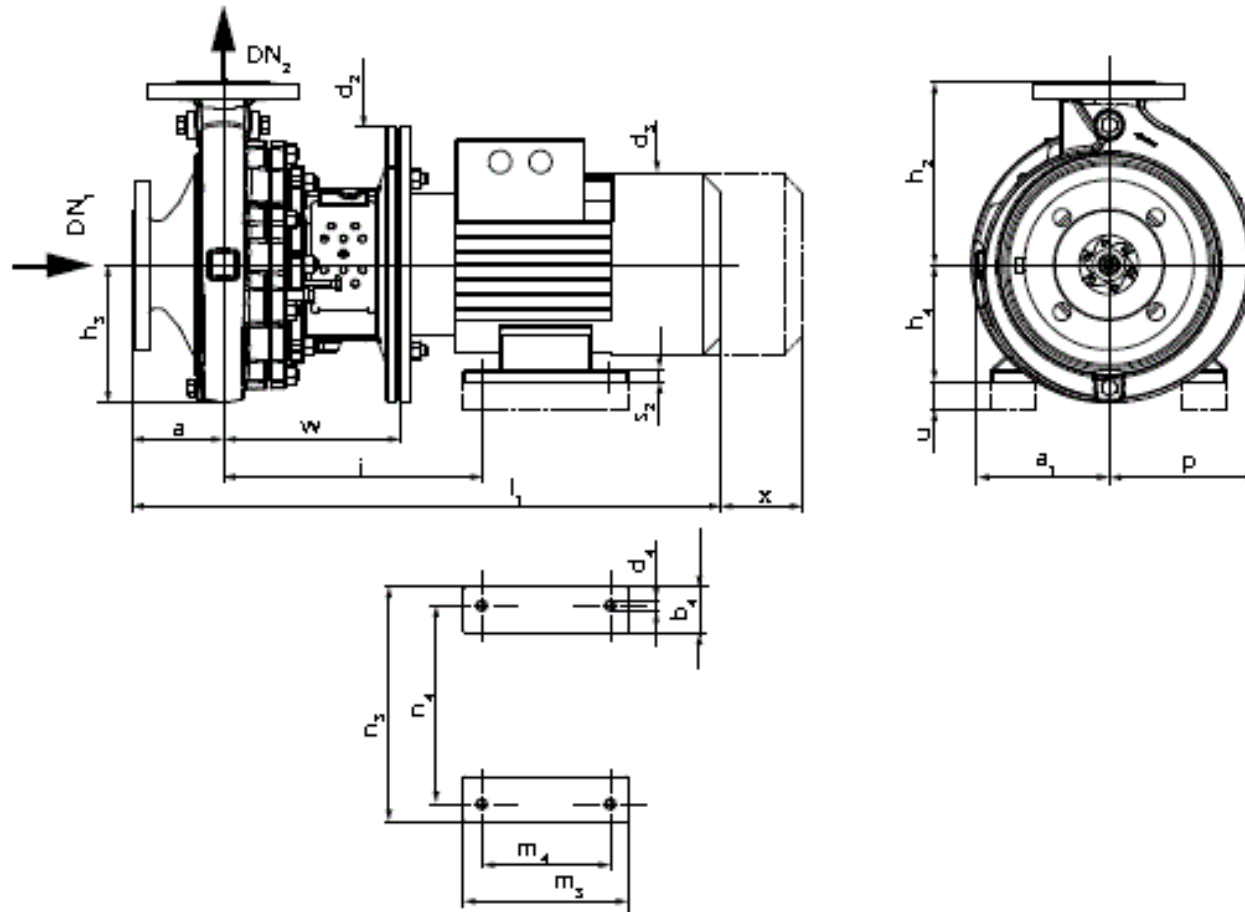
Page 6 / 7

**Performance curve**

**Etabloc 150-125-250/1854 CC**



Density 998,3  $kg/m^3$   
Viscosity 1,005  $mm^2/s$



Name	Wert	Name	Wert
a	140 mm	m1	125 mm
a1	226 mm	m2	95 mm
d2	350 mm	m3	343 mm
d3	370 mm	m4	241 mm
DN1	180 mm	n3	368 mm
DN2	125 mm	n4	279 mm
h2	355 mm	p	275 mm
h3	248 mm	s2	23 mm
h4	160 mm	w	246 mm
i	367 mm	x	140 mm
l1	1.003 mm		