



**Tender text**

**Project name**  
**Project ID**

**Customer**  
Contact  
E-mail  
Phone

**Company**  
Contact  
E-mail  
Phone

2025-01-20

Page 1 / 7

---

<b>Pos.no</b>	<b>Description</b>	<b>Item no.</b>
	<b>Close-coupled pumps</b>	
	Etabloc 150-125-400/11004 CC	05128045

**Etabloc**

Horizontal single-stage  
volute casing pump in close-coupled design, with ratings to EN 733.  
Axial suction nozzle, discharge nozzle pointing radially upwards.  
Shaft fitted with a replaceable shaft sleeve in the shaft seal area.  
Volute casing and casing cover with replaceable casing wear rings.  
Volute casing with integrally cast pump feet for variants B, C and S.  
Impeller matched to the operating point for saving energy.

**Operating data**

Water	Fluid handled	:
	Flow rate	:
	Head	:
20,00 °C	Fluid temperature	:
temperature	Permissible fluid	
0 bis +110	(min./max.)	:
pressure	Maximum operating	
		: ≤ 16 bar
10 to +50°C	Ambient temperature:	-



**Tender text**

**Project name**  
**Project ID**

**Customer**  
Contact  
E-mail  
Phone

**Company**  
Contact  
E-mail  
Phone

2025-01-20

Page 2 / 7

Pos.no	Description	Item no. (min./max.)	Qty.	UP / EUR	TP / EUR
		<b>Motor/electronics</b>			
	≥ 0,4	MEI value	:		
	110 kW	Motor rating	:		
	192 A	Max. rated current	:		
	500 1/min ... 1.800 1/min	Speed	:		
	3 x 380 V AC - 15 % to 480 V AC +10 %	Power supply	:		
	315S	Motor size	:		
		Energy efficiency class : IE4 = Super Premium Efficiency			
	IP55	Enclosure	:		
	SIEMENS - IEC	Motor make	:		
		<b>Materials</b>			
	CrNiMo steel 1.4408	Pump casing (102)	:		
	CrNiMo steel 1.4408	Impeller (230)	:		
		Pump shaft (210)	:		



**Tender text**

**Project name**  
**Project ID**

**Customer**  
 Contact  
 E-mail  
 Phone

**Company**  
 Contact  
 E-mail  
 Phone

2025-01-20

Page 3 / 7

Pos.no	Description	Item no.	Qty.	UP / EUR	TP / EUR
	A4/ AISI 316				
	CrNiMo steel 1.4571	Casing cover (161)	:		
	suction side (502.01): A4/ AISI 316	Casing wear ring,			
	discharge side (502.02): A4-70/ A193 Gr. B8M CL2	Casing wear ring,			
	Single mechanical seal with vented chamber (A-type cover)	Shaft seal type	:		
	:10 = Q1Q1X4GG	Shaft seal material			
	<b>connections</b>	<b>Dimensions and</b>			
	discharge nozzle DN2 : DN 125	Nominal size of			
	suction nozzle DN1 : DN 150	Nominal diameter of			
	suction side : 16	Nominal pressure,			
	discharge side : 16	Nominal pressure,			
	<b>information</b>	<b>Purchase order</b>			
	1.202 kg	Approx. net weight	:		
	KSB	Make	:		



**Tender text**

**Project name**  
**Project ID**

**Customer**  
Contact  
E-mail  
Phone

**Company**  
Contact  
E-mail  
Phone

2025-01-20

Page 4 / 7

---

<b>Pos.no</b>	<b>Description</b>	<b>Item no.</b>	<b>Qty.</b>	<b>UP / EUR</b>	<b>TP / EUR</b>
	Etabloc 150-125-400/11004 CC	Type	:		
	V3	Material price group	:		
	05128045	Material number	:		

---

**Data sheet: technical data**

**Project name**  
**Project ID**

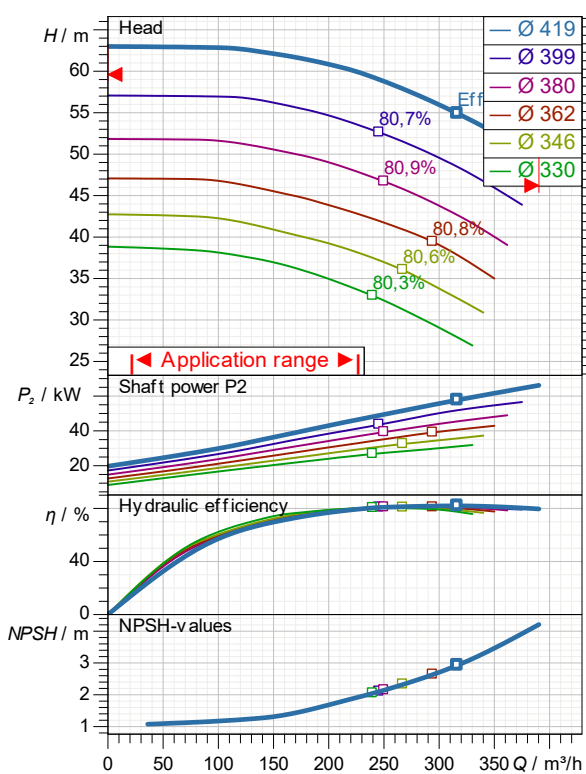
**Item-No.**  
**Design** Close-coupled pumps  
**Type / Coding** Etabloc 150-125-400/11004 CC

**Customer**  
Contact  
E-mail  
Phone

**Company**  
Contact  
E-mail  
Phone

2025-01-20

Page 5 / 7



**demand data**

Flow  
Head  
Geodetic head  
Media Water  
Liquid temperature 20 °C  
Concentration 100 %

**Pump data**

Make KSB  
Type Etabloc 150-125-400/11004 CC  
Design Close-coupled pumps  
Specific design Single head pump  
Max. fluid temperature

**Hydraulic data (Duty point)**

Flow  
Head  
Efficiency  
Minimum Efficiency Index  $\geq 0,4$

**Material / sealing element**

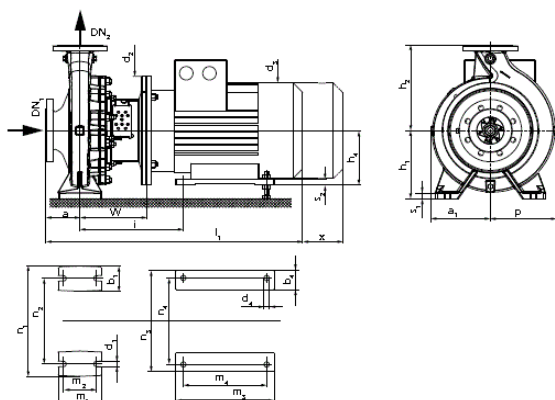
Volute casing CrNiMo steel 1.4408  
Shaft CrNiMo steel 1.4571  
Impeller CrNiMo steel 1.4408  
Impeller nut A4/ AISI 316  
Screw plug A4/ AISI 316  
Stud A4-70/ A193 Gr. B8M CL2

**Motor data**

Power uptake 114 kW  
Rated power 110 kW  
Speed 1.491 1/min  
Rated voltage 400 V  
Rated current 192 A  
Degree of protection IP55

**Product information**

Ident. No./ type key 05128045  
Weight loaded 1.202 kg  
Gross price 97.856,50 EUR  
PL 2025-01-20  
Price group V3



**Data sheet: performance curve**

**Project name**  
**Project ID**

**Item-No.**  
**Design** Close-coupled pumps  
**Type / Coding** Etabloc 150-125-400/11004 CC

**Customer**  
Contact  
E-mail  
Phone

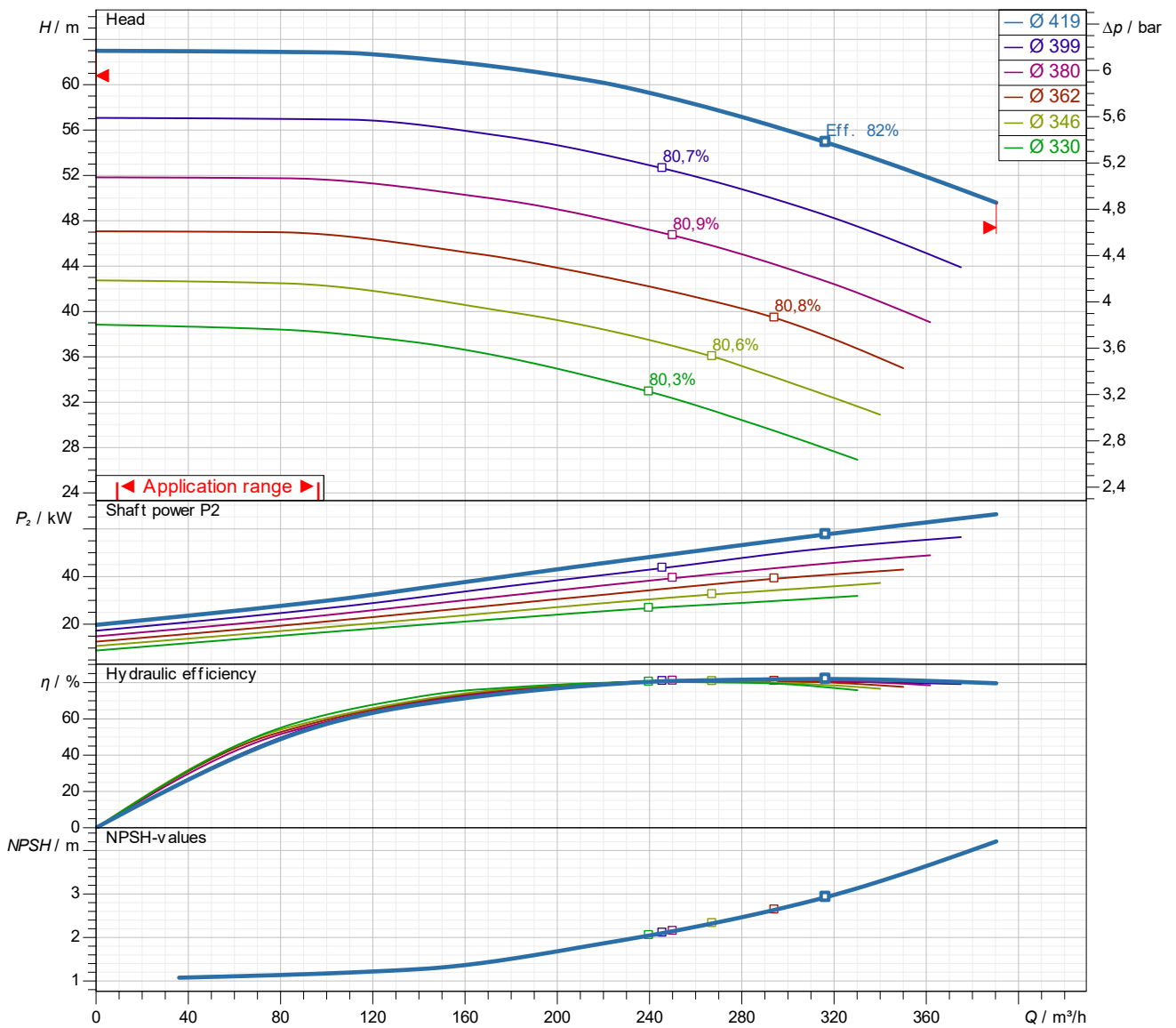
**Company**  
Contact  
E-mail  
Phone

2025-01-20

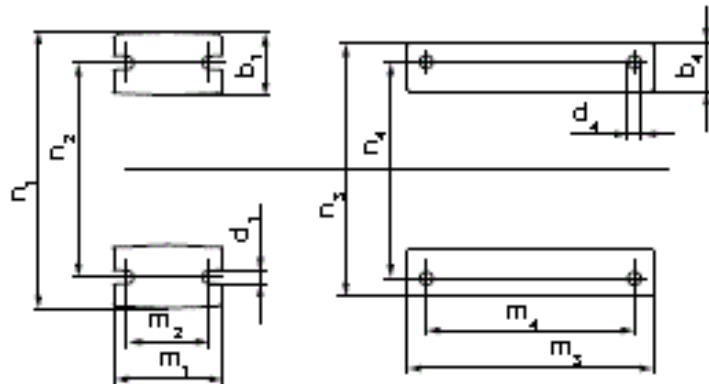
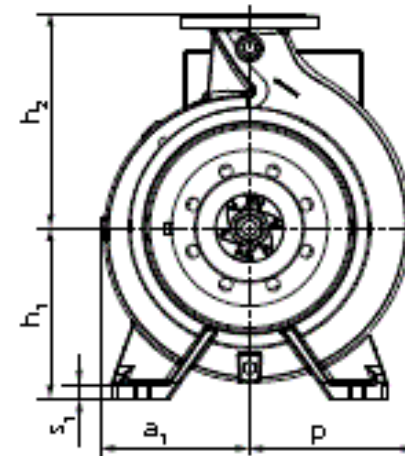
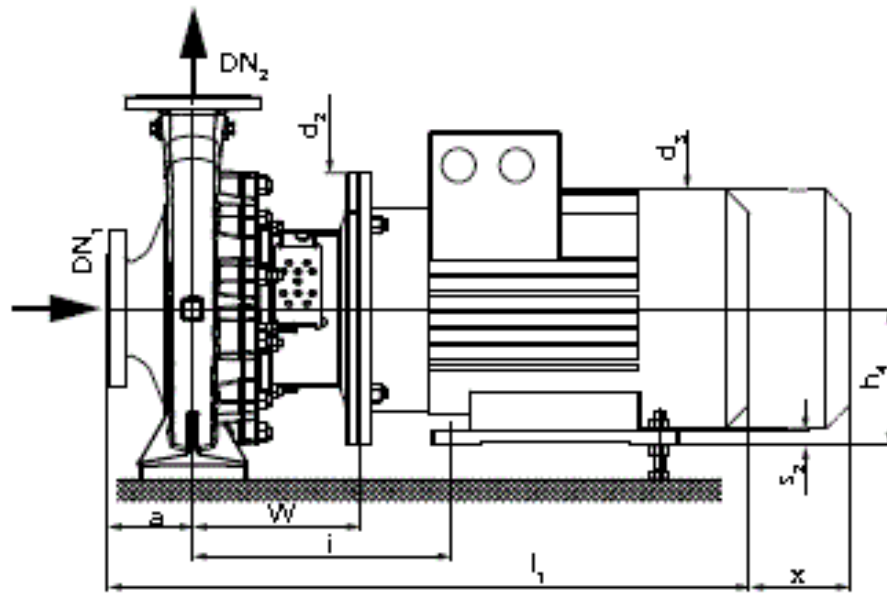
Page 6 / 7

**Performance curve**

**Etabloc 150-125-400/11004 CC**



Density 998,3 kg/m<sup>3</sup>  
Viscosity 1,005 mm<sup>2</sup>/s



Name	Wert	Name	Wert
a	277 mm	n2	400 mm
a1	100 mm	p	309 mm
b1	100 mm	s1	20 mm
d1	24 mm	x	140 mm
DN1	150 mm		
DN2	125 mm		
h1	315 mm		
h2	400 mm		
m1	200 mm		
m2	150 mm		
n1	500 mm		