

Tender text

Project name
Project ID

Customer
 Contact
 E-mail
 Phone

Company
 Contact
 E-mail
 Phone

2025-01-20

Page 1 / 8

Pos.no	Description	Item no.
	Close-coupled pumps	
	Etabloc PumpDrive 080-065-160/1104 GB	05129410

Etabloc PumpDrive

Horizontal single-stage volute casing pump in close-coupled design, with ratings to EN 733. Axial suction nozzle, discharge nozzle pointing radially upwards. Shaft fitted with a replaceable shaft sleeve in the shaft seal area. Volute casing and casing cover with replaceable casing wear rings. Volute casing with integrally cast pump feet for variants B, C and S. Impeller matched to the operating point for saving energy.

PumpDrive 2 frequency

inverter
 Self-cooling frequency inverter is mounted directly on the motor. Controlled by integrated PI controller. Controlled variables are pressure, differential pressure, flow rate, temperature. Display and setting of all operating parameters via a control unit with graphical display. Setpoint adjustment or control via external standard signal or via the control unit. Protective function for drive and pump. Pump and drive parameters pre-set at the factory.

Design:

Mains voltage	: 3~ 380 V AC -10 % to 480 V AC +10 %
Mains frequency	: 50 - 60 Hz ± 2 %
Internal power supply unit	: 24 V ± 10 %, max. 600 mA DC
Enclosure	: IP55 (to EN 60529)
Ambient temperature	: -10 °C to +50 °C
Relative humidity in operation	: 5 % to 85 %, non-condensing
Service interface	: optical
Analog input	: 2 x 0/2 - 10 V or 0/4 - 20 mA
Analog output	: 1 x 0 - 10 V or 4 - 20 mA



Tender text

Project name
Project ID

Customer
 Contact
 E-mail
 Phone

Company
 Contact
 E-mail
 Phone

2025-01-20

Page 2 / 8

Pos.no	Description	Item no.	Qty.	UP / EUR	TP / EUR
	Digital input	: 1 x hardware enable input, 5 x parameterisable			
	Relay output	: 2 changeover contacts, parameterisable			
	Bus systems (optional)	: Modbus RTU, Profibus DP, LON, BACnet MS/TP, Profinet			
Operating data					
	Water	Fluid handled	:		
		Flow rate	:		
		Head	:		
	20,00 °C	Fluid temperature	:		
	temperature	Permissible fluid			
	0 bis +110	(min./max.)	:		
	pressure	Maximum operating			
	: ≤ 16 bar	Ambient temperature: -			
	10 to +50°C	(min./max.)			
Motor/electronics					
	≥ 0,4	MEI value	:		
	11 kW	Motor rating	:		
		Max. rated current	:		

Tender text

Project name
Project ID

Customer
Contact
E-mail
Phone

Company
Contact
E-mail
Phone

2025-01-20

Page 3 / 8

Pos.no	Description	Item no.	Qty.	UP / EUR	TP / EUR
	24,2 A				
	580 1/min ... 2.900 1/min	Speed	:		
	3 x 380 V AC - 15 % to 480 V AC +10 %	Power supply	:		
	160M	Motor size	:		
	: IE5	Energy efficiency class			
	IP55	Enclosure	:		
	KSB-Standard	Motor make	:		
		Materials			
	Grey cast iron JL1040	Pump casing (102)	:		
	Tin bronze CC480K-GS / B30 C90700	Impeller (230)	:		
	Steel/tempered steel E335/C45	Pump shaft (210)	:		
	Grey cast iron JL1040	Casing cover (161)	:		
		Casing wear ring, suction side (502.01): DPAF seal plate, asbestos-free			
		Casing wear ring, discharge side (502.02): Grey cast iron GG / cast iron			
		Shaft seal type	:		
		Single mechanical seal with vented chamber (A-type cover)			



Tender text

Project name
Project ID

Customer
Contact
E-mail
Phone

Company
Contact
E-mail
Phone

2025-01-20

Page 4 / 8

Pos.no	Description	Item no.	Qty.	UP / EUR	TP / EUR
	:10 = Q1Q1X4GG				
		Shaft seal material			
	connections	Dimensions and			
	discharge nozzle DN2 : DN 65	Nominal size of			
	suction nozzle DN1 : DN 80	Nominal diameter of			
	suction side : 16	Nominal pressure,			
	discharge side : 16	Nominal pressure,			
	information	Purchase order			
	132,5 kg	Approx. net weight :			
	KSB	Make :			
	Etabloc PumpDrive 080-065-160/1104 GB	Type :			
	V3	Material price group :			
	05129410	Material number :			



Tender text

Project name
Project ID

Customer
Contact
E-mail
Phone

Company
Contact
E-mail
Phone

2025-01-20

Page 5 / 8

Pos.no	Description	Item no.	Qty.	UP / EUR	TP / EUR
	Frequency controller: PumpDrive2		1		

Data sheet: technical data

Project name
Project ID

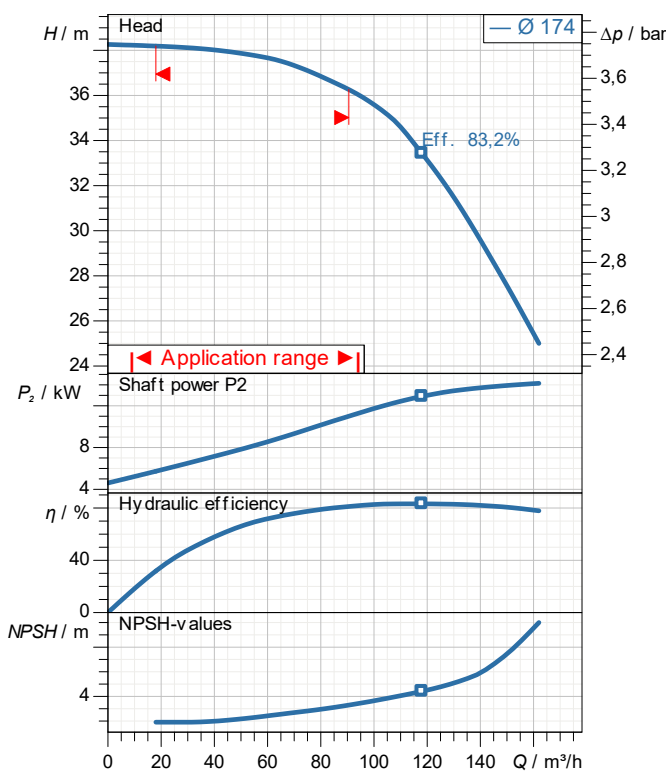
Item-No.
Design Close-coupled pumps
Type / Coding Etabloc PumpDrive 080-065-160/1104 GB

Customer
Contact
E-mail
Phone

Company
Contact
E-mail
Phone

2025-01-20

Page 6 / 8



demand data

Flow
Head
Geodetic head
Media Water
Liquid temperature 20 °C
Concentration 100 %

Pump data

Make KSB
Type Etabloc PumpDrive 080-065-160/1104 GB
Design Close-coupled pumps
Specific design Single head pump
Max. fluid temperature 140 °C

Hydraulic data (Duty point)

Flow
Head
Efficiency
Minimum Efficiency Index ≥ 0,4

Material / sealing element

Volute casing Grey cast iron JL1040
Discharge cover Grey cast iron JL1040
Impeller Tin bronze CC480K-GS / B30 C90700
Shaft Steel/tempered steel E335/C45
Bearing bracket lantern DPAF seal plate, asbestos-free
Casing wear ring Grey cast iron GG / cast iron

Motor data

Power uptake 11,8 kW
Rated power 11 kW
Speed 1.500 1/min
Rated voltage 400 V
Rated current 24,2 A
Degree of protection IP55

Product information

Ident. No./ type key 05129410
Weight loaded 132,5 kg
Gross price 16.399,82 EUR
PL 2025-01-20
Price group V3



Data sheet: performance curve

Project name
Project ID

Item-No.
Design Close-coupled pumps
Type / Coding Etabloc Pump Drive 080-065-160/1104 GB

Customer
Contact
E-mail
Phone

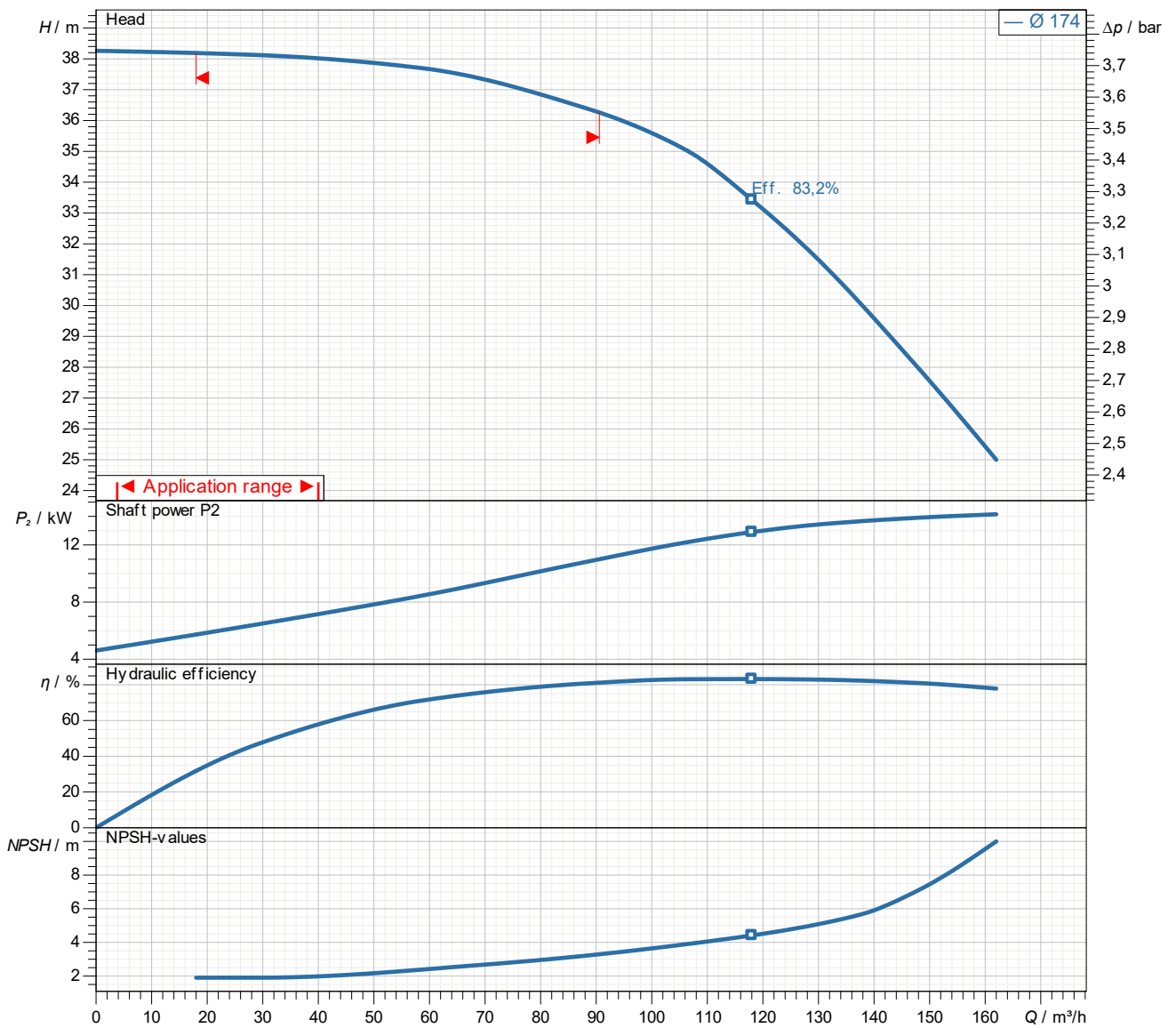
Company
Contact
E-mail
Phone

2025-01-20

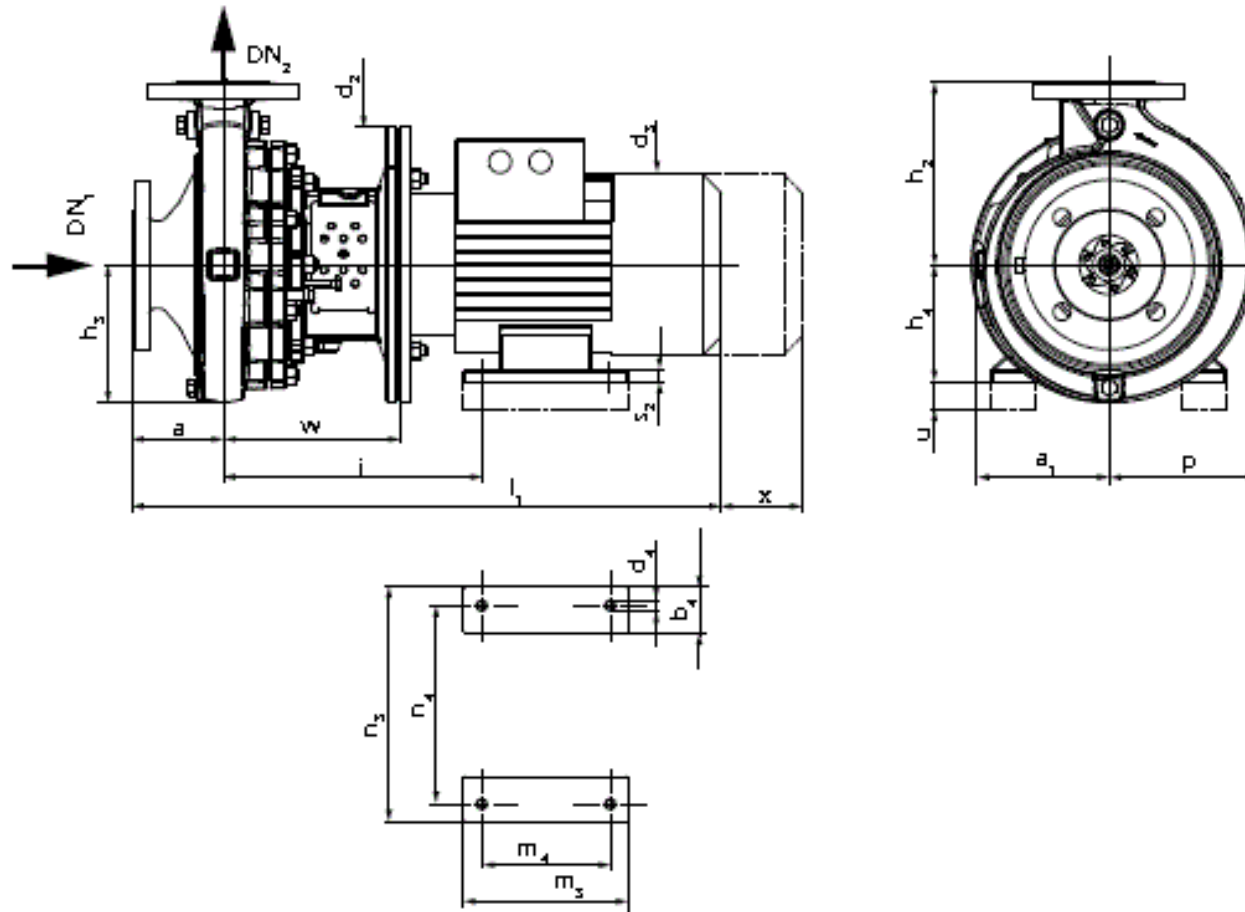
Page 7 / 8

Performance curve

Etabloc Pump Drive 080-065-160/1104 GB



Density 998,3 kg/m³
Viscosity 1,005 mm²/s



Name	Wert	Name	Wert
a	100 mm	n1	280 mm
a1	132 mm	n2	212 mm
b1	65 mm	p	150 mm
d1	14 mm	s1	18 mm
DN1	80 mm	x	100 mm
DN2	65 mm		
h1	160 mm		
h2	200 mm		
h3	140 mm		
m1	125 mm		
m2	95 mm		