

Tender text

Project name
Project ID

Customer
Contact
E-mail
Phone

Company
Contact
E-mail
Phone

2025-01-20

Page 1 / 8

| Pos.no | Description | Item no. |
|--------|---|----------|
| | Close-coupled pumps | |
| | Etabloc PumpDrive 050-032-125/154 CC | 05129939 |

Etabloc PumpDrive

Horizontal single-stage volute casing pump in close-coupled design, with ratings to EN 733. Axial suction nozzle, discharge nozzle pointing radially upwards. Shaft fitted with a replaceable shaft sleeve in the shaft seal area. Volute casing and casing cover with replaceable casing wear rings. Volute casing with integrally cast pump feet for variants B, C and S. Impeller matched to the operating point for saving energy.

PumpDrive 2 frequency

inverter
Self-cooling frequency inverter is mounted directly on the motor. Controlled by integrated PI controller. Controlled variables are pressure, differential pressure, flow rate, temperature. Display and setting of all operating parameters via a control unit with graphical display. Setpoint adjustment or control via external standard signal or via the control unit. Protective function for drive and pump. Pump and drive parameters pre-set at the factory.

Design:

| | |
|--------------------------------|--|
| Mains voltage | : 3~ 380 V AC -10 % to 480 V AC +10 % |
| Mains frequency | : 50 - 60 Hz ± 2 % |
| Internal power supply unit | : 24 V ± 10 %, max. 600 mA DC |
| Enclosure | : IP55 (to EN 60529) |
| Ambient temperature | : -10 °C to +50 °C |
| Relative humidity in operation | : 5 % to 85 %, non-condensing |
| Service interface | : optical |
| Analog input | : 2 x 0/2 - 10 V or 0/4 - 20 mA |
| Analog output | : 1 x 0 - 10 V or 4 - 20 mA |

Tender text

Project name

Project ID

Customer

Contact

E-mail

Phone

Company

Contact

E-mail

Phone

2025-01-20

Page 2 / 8

| Pos.no | Description | Item no. | Qty. | UP / EUR | TP / EUR |
|--------|--------------------------|---|------|----------|----------|
| | Digital input | : 1 x hardware enable input, 5 x parameterisable | | | |
| | Relay output | : 2 changeover contacts, parameterisable | | | |
| | Bus systems (optional) | : Modbus RTU, Profibus DP, LON, BACnet MS/TP, Profinet | | | |
| | Operating data | | | | |
| | Water | Fluid handled | : | | |
| | | Flow rate | : | | |
| | | Head | : | | |
| | 20,00 °C | Fluid temperature | : | | |
| | temperature | Permissible fluid | | | |
| | 0 bis +110 | (min./max.) | : | | |
| | pressure | Maximum operating | | | |
| | : ≤ 16 bar | Ambient temperature: - | | | |
| | 10 to +50°C | (min./max.) | | | |
| | Motor/electronics | | | | |
| | ≥ 0,4 | MEI value | : | | |
| | 1,5 kW | Motor rating | : | | |
| | | Max. rated current | : | | |



Tender text

Project name
Project ID

Customer
 Contact
 E-mail
 Phone

Company
 Contact
 E-mail
 Phone

2025-01-20

Page 3 / 8

| Pos.no | Description | Item no. | Qty. | UP / EUR | TP / EUR |
|--------|---|-------------------------|------|----------|----------|
| | 4 A | | | | |
| | 580 1/min ... 3.600 1/min | Speed | : | | |
| | 3 x 380 V AC - 15 % to 480 V AC +10 % | Power supply | : | | |
| | 90S | Motor size | : | | |
| | : IE5 | Energy efficiency class | | | |
| | IP55 | Enclosure | : | | |
| | KSB-Standard | Motor make | : | | |
| | | Materials | | | |
| | CrNiMo steel 1.4408 | Pump casing (102) | : | | |
| | CrNiMo steel 1.4408 | Impeller (230) | : | | |
| | A4/ AISI 316 | Pump shaft (210) | : | | |
| | CrNiMo steel 1.4571 | Casing cover (161) | : | | |
| | suction side (502.01): A4/ AISI 316 | Casing wear ring, | | | |
| | discharge side (502.02): A4-70/ A193 Gr. B8M CL2 | Casing wear ring, | | | |
| | Single mechanical seal with vented chamber (A-type cover) | Shaft seal type | : | | |



Tender text

Project name
Project ID

Customer
Contact
E-mail
Phone

Company
Contact
E-mail
Phone

2025-01-20

Page 4 / 8

| Pos.no | Description | Item no. | Qty. | UP / EUR | TP / EUR |
|--------|--------------------------------------|--------------------------|------|----------|----------|
| | :10 = Q1Q1X4GG | | | | |
| | | Shaft seal material | | | |
| | connections | Dimensions and | | | |
| | discharge nozzle DN2 : DN 32 | Nominal size of | | | |
| | suction nozzle DN1 : DN 50 | Nominal diameter of | | | |
| | suction side : 16 | Nominal pressure, | | | |
| | discharge side : 16 | Nominal pressure, | | | |
| | information | Purchase order | | | |
| | 52,63 kg | Approx. net weight : | | | |
| | KSB | Make : | | | |
| | Etabloc PumpDrive 050-032-125/154 CC | Type : | | | |
| | V3 | Material price group : | | | |
| | 05129939 | Material number : | | | |



Tender text

Project name
Project ID

Customer
Contact
E-mail
Phone

Company
Contact
E-mail
Phone

2025-01-20

Page 5 / 8

| Pos.no | Description | Item no. | Qty. | UP / EUR | TP / EUR |
|---------------|----------------------------------|-----------------|-------------|-----------------|-----------------|
| | Frequency controller: PumpDrive2 | | 1 | | |

Data sheet: technical data

Project name
Project ID

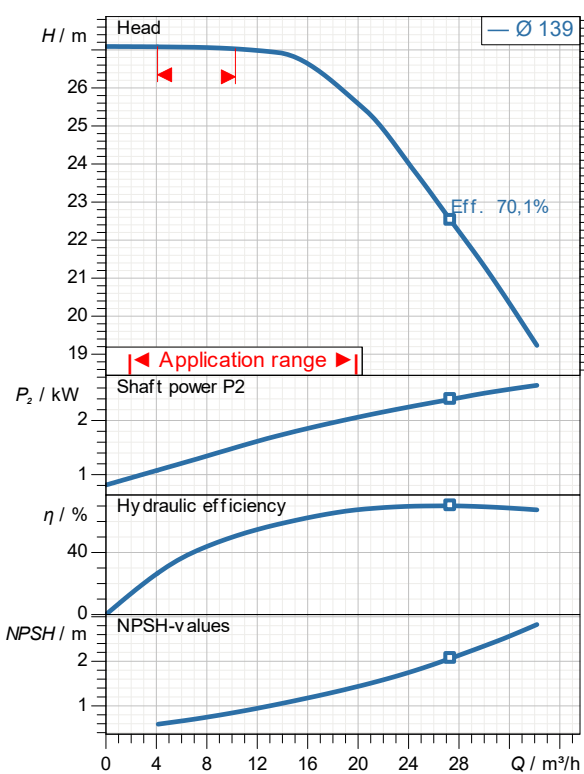
Item-No.
Design Close-coupled pumps
Type / Coding Etabloc PumpDrive 050-032-125/154 CC

Customer
Contact
E-mail
Phone

Company
Contact
E-mail
Phone

2025-01-20

Page 6 / 8



demand data

Flow
Head
Geodetic head
Media Water
Liquid temperature 20 °C
Concentration 100 %

Pump data

Make KSB
Type Etabloc PumpDrive 050-032-125/154 CC
Design Close-coupled pumps
Specific design Single head pump
Max. fluid temperature

Hydraulic data (Duty point)

Flow
Head
Efficiency
Minimum Efficiency Index ≥ 0,4

Material / sealing element

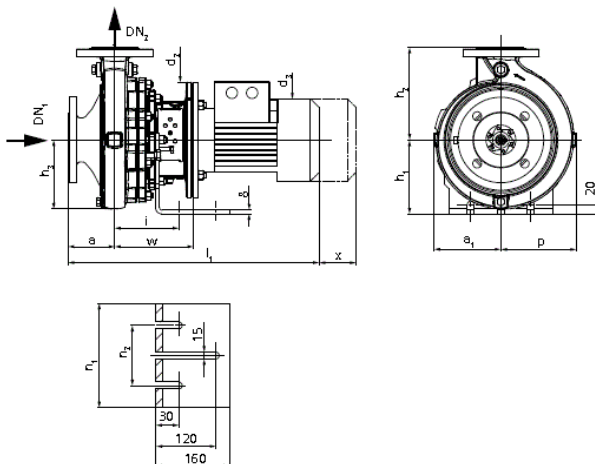
Volute casing CrNiMo steel 1.4408
Shaft CrNiMo steel 1.4571
Impeller CrNiMo steel 1.4408
Impeller nut A4/ AISI 316
Screw plug A4/ AISI 316
Stud A4-70/ A 193 Gr. B8M CL2

Motor data

Power uptake 1,7 kW
Rated power 1,5 kW
Speed 1.500 1/min
Rated voltage 400 V
Rated current 4 A
Degree of protection IP55

Product information

Ident. No./ type key 05129939
Weight loaded 52,63 kg
Gross price 20.052,05 EUR
PL 2025-01-20
Price group V3



Data sheet: performance curve

Project name
Project ID

Item-No.
Design Close-coupled pumps
Type / Coding Etabloc Pump Drive 050-032-125/154 CC

Customer
Contact
E-mail
Phone

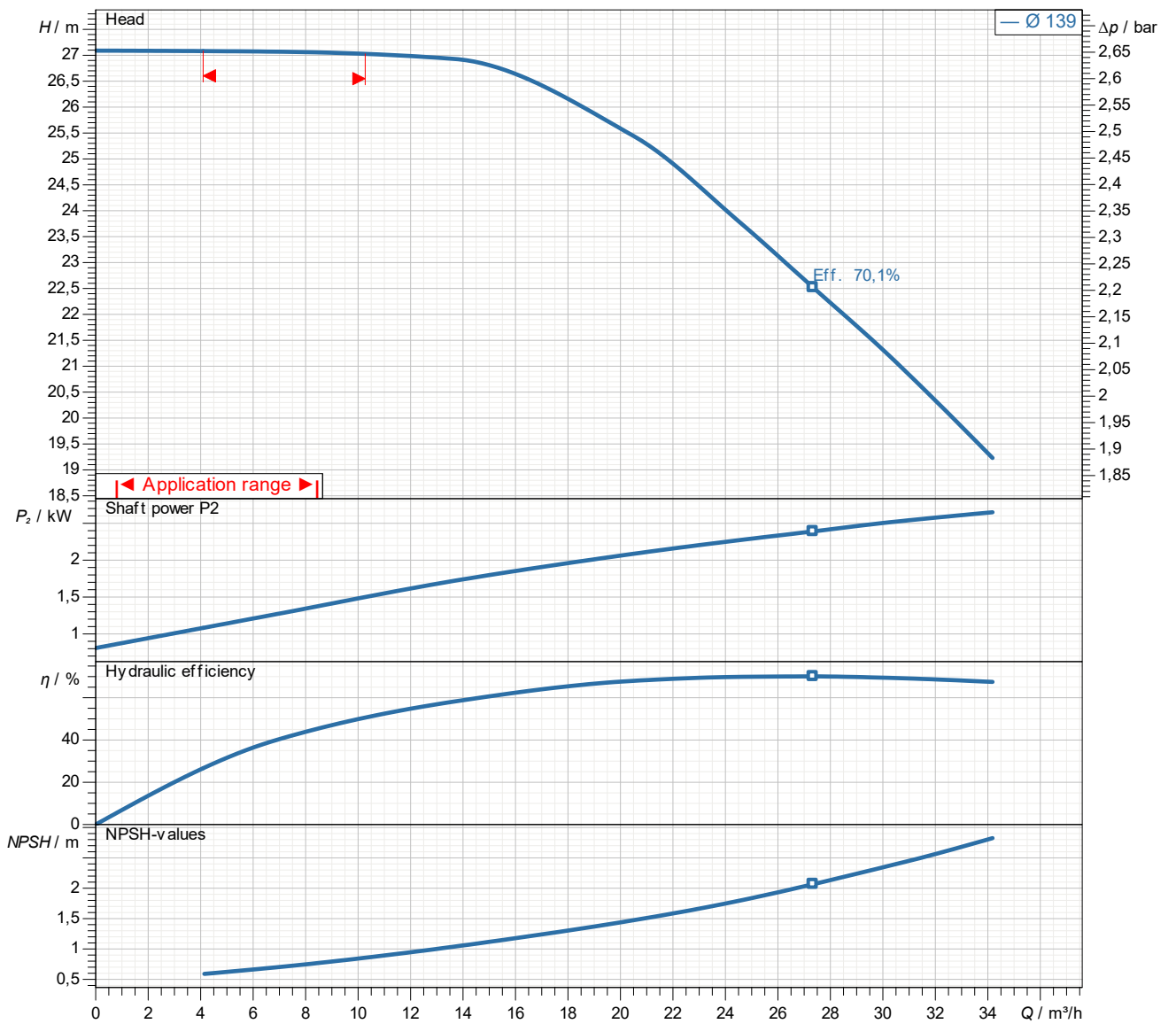
Company
Contact
E-mail
Phone

2025-01-20

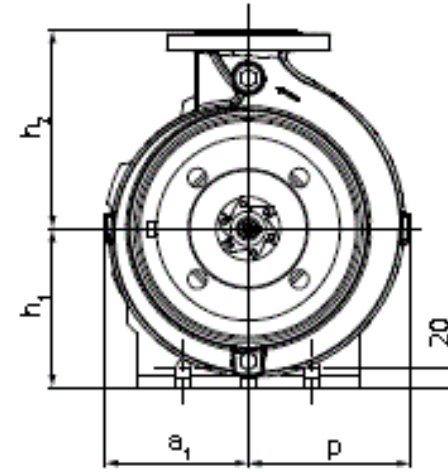
Page 7 / 8

Performance curve

Etabloc Pump Drive 050-032-125/154 CC



Density 998,3 kg/m³
Viscosity 1,005 mm²/s



| Name | Wert | Name | Wert |
|------|--------|------|--------|
| a | 80 mm | x | 100 mm |
| a1 | 115 mm | | |
| DN1 | 50 mm | | |
| DN2 | 32 mm | | |
| h1 | 160 mm | | |
| h2 | 140 mm | | |
| h3 | 100 mm | | |
| i | 118 mm | | |
| n1 | 225 mm | | |
| n2 | 130 mm | | |
| p | 115 mm | | |