

**Tender text**

**Project name**  
**Project ID**

**Customer**  
Contact  
E-mail  
Phone

**Company**  
Contact  
E-mail  
Phone

2025-01-20

Page 1 / 8

| Pos.no | Description                             | Item no. |
|--------|---|----------|
|        | <b>Close-coupled pumps</b>              |          |
|        | Etabloc PumpDrive 065-040-160/554<br>CC | 05130041 |

**Etabloc PumpDrive**

Horizontal single-stage volute casing pump in close-coupled design, with ratings to EN 733. Axial suction nozzle, discharge nozzle pointing radially upwards. Shaft fitted with a replaceable shaft sleeve in the shaft seal area. Volute casing and casing cover with replaceable casing wear rings. Volute casing with integrally cast pump feet for variants B, C and S. Impeller matched to the operating point for saving energy.

**PumpDrive 2 frequency**

inverter  
Self-cooling frequency inverter is mounted directly on the motor. Controlled by integrated PI controller. Controlled variables are pressure, differential pressure, flow rate, temperature. Display and setting of all operating parameters via a control unit with graphical display. Setpoint adjustment or control via external standard signal or via the control unit. Protective function for drive and pump. Pump and drive parameters pre-set at the factory.

Design:

|                                |  |
|--------------------------------|--|
| Mains voltage                  | : 3~ 380 V AC -10 %<br>to 480 V AC +10 % |
| Mains frequency                | : 50 - 60 Hz ± 2 %                       |
| Internal power supply unit     | : 24 V ± 10 %, max.<br>600 mA DC         |
| Enclosure                      | : IP55 (to EN 60529)                     |
| Ambient temperature            | : -10 °C to +50 °C                       |
| Relative humidity in operation | : 5 % to 85 %, non-condensing            |
| Service interface              | : optical                                |
| Analog input                   | : 2 x 0/2 - 10 V or 0/4 - 20 mA          |
| Analog output                  | : 1 x 0 - 10 V or 4 - 20 mA              |

### Tender text

**Project name**

**Project ID**

**Customer**

Contact

E-mail

Phone

**Company**

Contact

E-mail

Phone

2025-01-20

Page 2 / 8

| Pos.no                   | Description            | Item no.  | Qty. | UP / EUR | TP / EUR |
|--------------------------|------------------------|---|------|----------|----------|
|                          | Digital input          | : 1 x hardware enable input,<br>5 x parameterisable       |      |          |          |
|                          | Relay output           | : 2 changeover contacts,<br>parameterisable               |      |          |          |
|                          | Bus systems (optional) | : Modbus RTU, Profibus DP,<br>LON, BACnet MS/TP, Profinet |      |          |          |
| <b>Operating data</b>    |                        |   |      |          |          |
|                          | Water                  | Fluid handled   | :    |          |          |
|                          |                        | Flow rate   | :    |          |          |
|                          |                        | Head  | :    |          |          |
|                          | 20,00 °C               | Fluid temperature   | :    |          |          |
|                          | temperature            | Permissible fluid   |      |          |          |
|                          | 0 bis +110             | (min./max.)   | :    |          |          |
|                          | pressure               | Maximum operating   |      |          |          |
|                          | : ≤ 16 bar             | Ambient temperature: -                                    |      |          |          |
|                          | 10 to +50°C            | (min./max.)   |      |          |          |
| <b>Motor/electronics</b> |                        |   |      |          |          |
|                          | ≥ 0,4                  | MEI value   | :    |          |          |
|                          | 5,5 kW                 | Motor rating  | :    |          |          |
|                          |                        | Max. rated current  | :    |          |          |



**Tender text**

**Project name**  
**Project ID**

**Customer**  
Contact  
E-mail  
Phone

**Company**  
Contact  
E-mail  
Phone

2025-01-20

Page 3 / 8

| Pos.no | Description   | Item no.                | Qty. | UP / EUR | TP / EUR |
|--------|---|-------------------------|------|----------|----------|
|        | 13,5 A  |                         |      |          |          |
|        | 580 1/min ... 3.600 1/min                                 | Speed                   | :    |          |          |
|        | 3 x 380 V AC - 15 % to 480 V AC +10 %                     | Power supply            | :    |          |          |
|        | 132S  | Motor size              | :    |          |          |
|        | : IE5   | Energy efficiency class |      |          |          |
|        | IP55  | Enclosure               | :    |          |          |
|        | KSB-Standard  | Motor make              | :    |          |          |
|        |   | <b>Materials</b>        |      |          |          |
|        | CrNiMo steel 1.4408                                       | Pump casing (102)       | :    |          |          |
|        | CrNiMo steel 1.4408                                       | Impeller (230)          | :    |          |          |
|        | A4/ AISI 316  | Pump shaft (210)        | :    |          |          |
|        | CrNiMo steel 1.4571                                       | Casing cover (161)      | :    |          |          |
|        | suction side (502.01): A4/ AISI 316                       | Casing wear ring,       |      |          |          |
|        | discharge side (502.02): A4-70/ A193 Gr. B8M CL2          | Casing wear ring,       |      |          |          |
|        | Single mechanical seal with vented chamber (A-type cover) | Shaft seal type         | :    |          |          |



**Tender text**

**Project name**  
**Project ID**

**Customer**  
Contact  
E-mail  
Phone

**Company**  
Contact  
E-mail  
Phone

2025-01-20

Page 4 / 8

---

| Pos.no | Description                          | Item no.                 | Qty. | UP / EUR | TP / EUR |
|--------|--------------------------------------|--------------------------|------|----------|----------|
|        | :10 = Q1Q1X4GG                       |                          |      |          |          |
|        |                                      | Shaft seal material      |      |          |          |
|        | <b>connections</b>                   | <b>Dimensions and</b>    |      |          |          |
|        | discharge nozzle DN2 : DN 40         | Nominal size of          |      |          |          |
|        | suction nozzle DN1 : DN 65           | Nominal diameter of      |      |          |          |
|        | suction side : 16                    | Nominal pressure,        |      |          |          |
|        | discharge side : 16                  | Nominal pressure,        |      |          |          |
|        | <b>information</b>                   | <b>Purchase order</b>    |      |          |          |
|        | 92,96 kg                             | Approx. net weight :     |      |          |          |
|        | KSB                                  | Make :                   |      |          |          |
|        | Etabloc PumpDrive 065-040-160/554 CC | Type :                   |      |          |          |
|        | V3                                   | Material price group :   |      |          |          |
|        | 05130041                             | <b>Material number</b> : |      |          |          |



**Tender text**

**Project name**  
**Project ID**

**Customer**  
Contact  
E-mail  
Phone

**Company**  
Contact  
E-mail  
Phone

2025-01-20

Page 5 / 8

---

| <b>Pos.no</b> | <b>Description</b>               | <b>Item no.</b> | <b>Qty.</b> | <b>UP / EUR</b> | <b>TP / EUR</b> |
|---------------|----------------------------------|-----------------|-------------|-----------------|-----------------|
|               | Frequency controller: PumpDrive2 |                 | 1           |                 |                 |

---

**Data sheet: technical data**

**Project name**  
**Project ID**

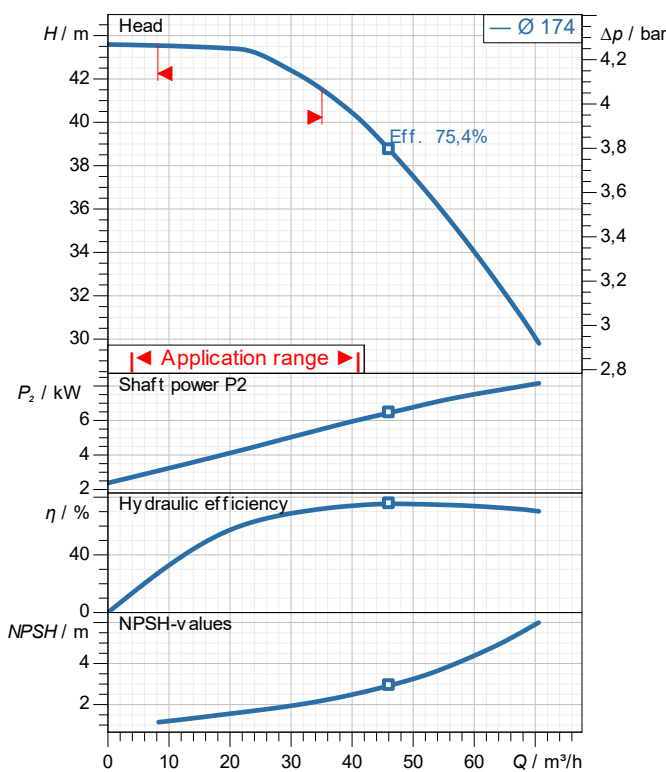
**Item-No.**  
**Design** Close-coupled pumps  
**Type / Coding** Etabloc PumpDrive 065-040-160/554 CC

**Customer**  
Contact  
E-mail  
Phone

**Company**  
Contact  
E-mail  
Phone

2025-01-20

Page 6 / 8



**demand data**

Flow  
Head  
Geodetic head  
Media Water  
Liquid temperature 20 °C  
Concentration 100 %

**Pump data**

Make KSB  
Type Etabloc PumpDrive 065-040-160/554 CC  
Design Close-coupled pumps  
Specific design Single head pump  
Max. fluid temperature

**Hydraulic data (Duty point)**

Flow  
Head  
Efficiency  
Minimum Efficiency Index ≥ 0,4

**Material / sealing element**

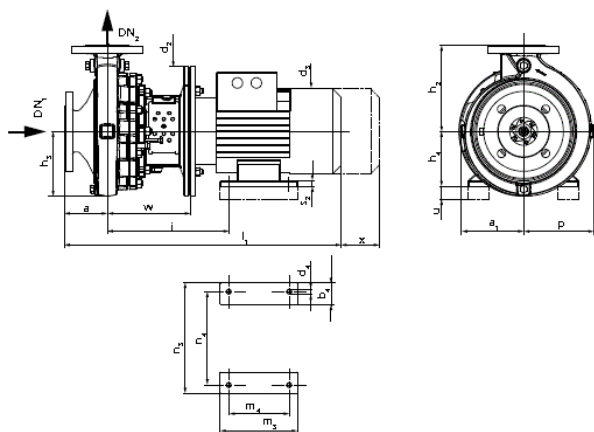
Volute casing CrNiMo steel 1.4408  
Shaft CrNiMo steel 1.4571  
Impeller CrNiMo steel 1.4408  
Impeller nut A4/ AISI 316  
Screw plug A4/ AISI 316  
Stud A4-70/ A193 Gr. B8M CL2

**Motor data**

Power uptake 5,98 kW  
Rated power 5,5 kW  
Speed 1.500 1/min  
Rated voltage 400 V  
Rated current 13,5 A  
Degree of protection IP55

**Product information**

Ident. No./ type key 05130041  
Weight loaded 92,96 kg  
Gross price 24.003,28 EUR  
PL 2025-01-20  
Price group V3



**Data sheet: performance curve**

**Project name**  
**Project ID**

**Item-No.**  
**Design** Close-coupled pumps  
**Type / Coding** Etabloc Pump Drive 065-040-160/554 CC

**Customer**  
Contact  
E-mail  
Phone

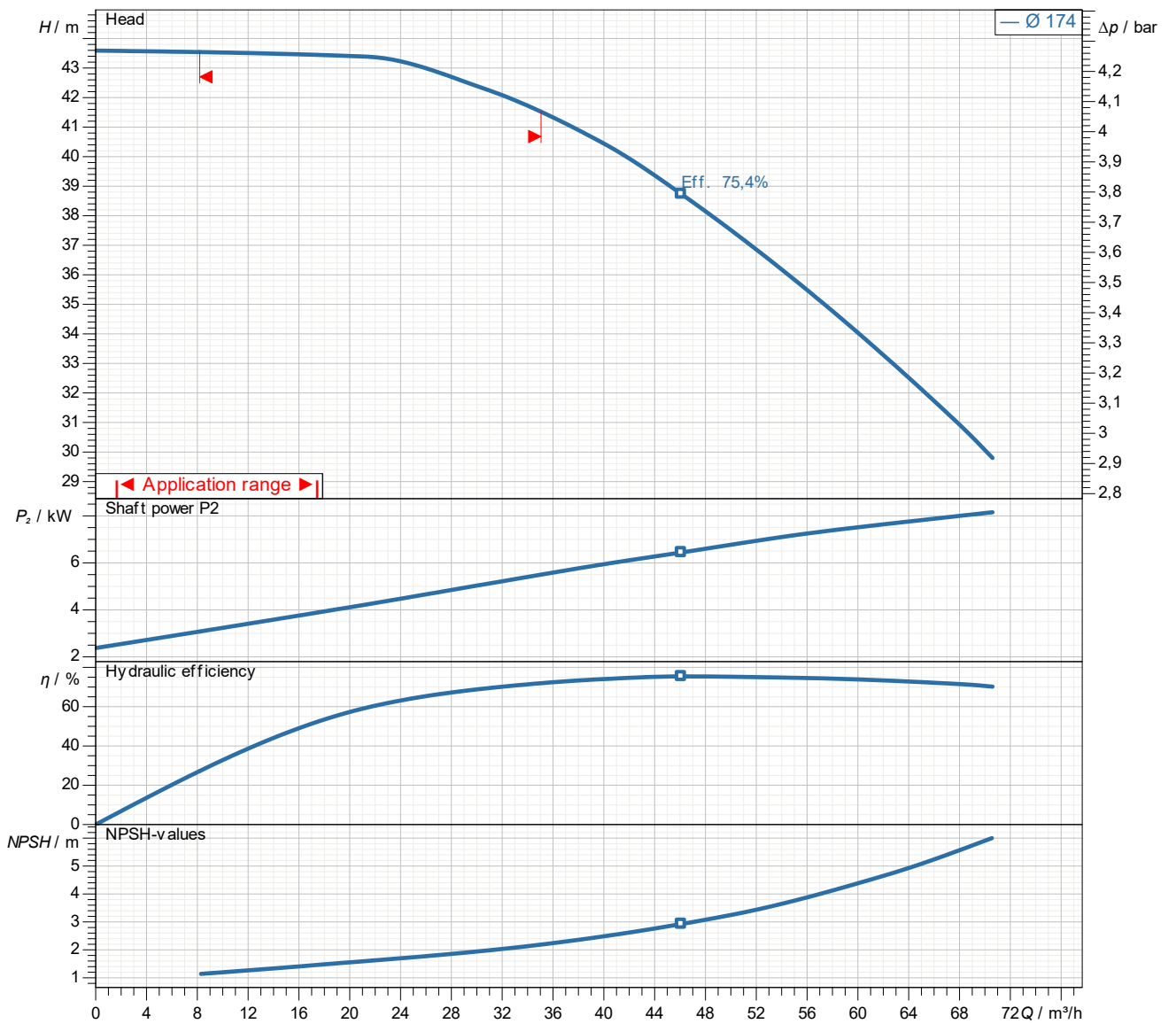
**Company**  
Contact  
E-mail  
Phone

2025-01-20

Page 7 / 8

**Performance curve**

**Etabloc Pump Drive 065-040-160/554 CC**



Density 998,3 kg/m<sup>3</sup>  
Viscosity 1,005 mm<sup>2</sup>/s



| Name | Wert   | Name | Wert |
|------|--------|------|------|
| a    | 80 mm  |      |      |
| a1   | 119 mm |      |      |
| DN1  | 65 mm  |      |      |
| DN2  | 40 mm  |      |      |
| h1   | 160 mm |      |      |
| h2   | 160 mm |      |      |
| h3   | 119 mm |      |      |
| n1   | 225 mm |      |      |
| n2   | 130 mm |      |      |
| p    | 134 mm |      |      |
| x    | 100 mm |      |      |