

Tender text

Project name
Project ID

Customer
Contact
E-mail
Phone

Company
Contact
E-mail
Phone

2025-01-20

Page 1 / 8

| Pos.no | Description | Item no. |
|--------|--------------------------------------|----------|
| | Close-coupled pumps | |
| | Etabloc PumpDrive 065-050-125/114 GG | 05130824 |

Etabloc PumpDrive

Horizontal single-stage volute casing pump in close-coupled design, with ratings to EN 733. Axial suction nozzle, discharge nozzle pointing radially upwards. Shaft fitted with a replaceable shaft sleeve in the shaft seal area. Volute casing and casing cover with replaceable casing wear rings. Volute casing with integrally cast pump feet for variants B, C and S. Impeller matched to the operating point for saving energy.

PumpDrive 2 frequency

inverter
Self-cooling frequency inverter is mounted directly on the motor. Controlled by integrated PI controller. Controlled variables are pressure, differential pressure, flow rate, temperature. Display and setting of all operating parameters via a control unit with graphical display. Setpoint adjustment or control via external standard signal or via the control unit. Protective function for drive and pump. Pump and drive parameters pre-set at the factory.

Design:

| | |
|--------------------------------|--|
| Mains voltage | : 3~ 380 V AC -10 % to 480 V AC +10 % |
| Mains frequency | : 50 - 60 Hz ± 2 % |
| Internal power supply unit | : 24 V ± 10 %, max. 600 mA DC |
| Enclosure | : IP55 (to EN 60529) |
| Ambient temperature | : -10 °C to +50 °C |
| Relative humidity in operation | : 5 % to 85 %, non-condensing |
| Service interface | : optical |
| Analog input | : 2 x 0/2 - 10 V or 0/4 - 20 mA |
| Analog output | : 1 x 0 - 10 V or 4 - 20 mA |



Tender text

Project name
Project ID

Customer
Contact
E-mail
Phone

Company
Contact
E-mail
Phone

2025-01-20

Page 2 / 8

| Pos.no | Description | Item no. | Qty. | UP / EUR | TP / EUR |
|--------|------------------------|---|--------------------------|----------|----------|
| | Digital input | : 1 x hardware enable input, 5 x parameterisable | | | |
| | Relay output | : 2 changeover contacts, parameterisable | | | |
| | Bus systems (optional) | : Modbus RTU, Profibus DP, LON, BACnet MS/TP, Profinet | | | |
| | Operating data | | | | |
| | Water | | Fluid handled | : | |
| | | | Flow rate | : | |
| | | | Head | : | |
| | 20,00 °C | | Fluid temperature | : | |
| | temperature | | Permissible fluid | | |
| | 0 bis +110 | | (min./max.) | : | |
| | pressure | : ≤ 16 bar | Maximum operating | | |
| | 10 to +50°C | | Ambient temperature: - | | |
| | | | (min./max.) | | |
| | | | Motor/electronics | | |
| | ≥ 0,4 | | MEI value | : | |
| | 1,1 kW | | Motor rating | : | |
| | | | Max. rated current | : | |

Tender text

Project name
Project ID

Customer
Contact
E-mail
Phone

Company
Contact
E-mail
Phone

2025-01-20

Page 3 / 8

| Pos.no | Description | Item no. | Qty. | UP / EUR | TP / EUR |
|--------|---------------------------------------|---|------|----------|----------|
| | 3 A | | | | |
| | 500 1/min ... 1.800 1/min | Speed | : | | |
| | 3 x 380 V AC - 15 % to 480 V AC +10 % | Power supply | : | | |
| | 90S | Motor size | : | | |
| | | Energy efficiency class : IE4 = Super Premium Efficiency | | | |
| | IP55 | Enclosure | : | | |
| | KSB-Standard | Motor make | : | | |
| | | Materials | | | |
| | Grey cast iron JL1040 | Pump casing (102) | : | | |
| | Steel/tempered steel E335/C45 | Impeller (230) | : | | |
| | Grey cast iron JL1040 | Pump shaft (210) | : | | |
| | Grey cast iron JL1040 | Casing cover (161) | : | | |
| | | Casing wear ring, suction side (502.01): DPAF seal plate, asbestos-free | | | |
| | | Casing wear ring, discharge side (502.02): Grey cast iron GG / cast iron | | | |
| | | Shaft seal type | : | | |
| | | Single mechanical seal with vented chamber (A-type cover) | | | |



Tender text

Project name
Project ID

Customer
Contact
E-mail
Phone

Company
Contact
E-mail
Phone

2025-01-20

Page 4 / 8

| Pos.no | Description | Item no. | Qty. | UP / EUR | TP / EUR |
|--------|--------------------------------------|--------------------------|------|----------|----------|
| | :10 = Q1Q1X4GG | | | | |
| | | Shaft seal material | | | |
| | connections | Dimensions and | | | |
| | discharge nozzle DN2 : DN 50 | Nominal size of | | | |
| | suction nozzle DN1 : DN 65 | Nominal diameter of | | | |
| | suction side : 16 | Nominal pressure, | | | |
| | discharge side : 16 | Nominal pressure, | | | |
| | information | Purchase order | | | |
| | 57,81 kg | Approx. net weight : | | | |
| | KSB | Make : | | | |
| | Etabloc PumpDrive 065-050-125/114 GG | Type : | | | |
| | V3 | Material price group : | | | |
| | 05130824 | Material number : | | | |



Tender text

Project name
Project ID

Customer
Contact
E-mail
Phone

Company
Contact
E-mail
Phone

2025-01-20

Page 5 / 8

| Pos.no | Description | Item no. | Qty. | UP / EUR | TP / EUR |
|---------------|----------------------------------|-----------------|-------------|-----------------|-----------------|
| | Frequency controller: PumpDrive2 | | 1 | | |

Data sheet: technical data

Project name
Project ID

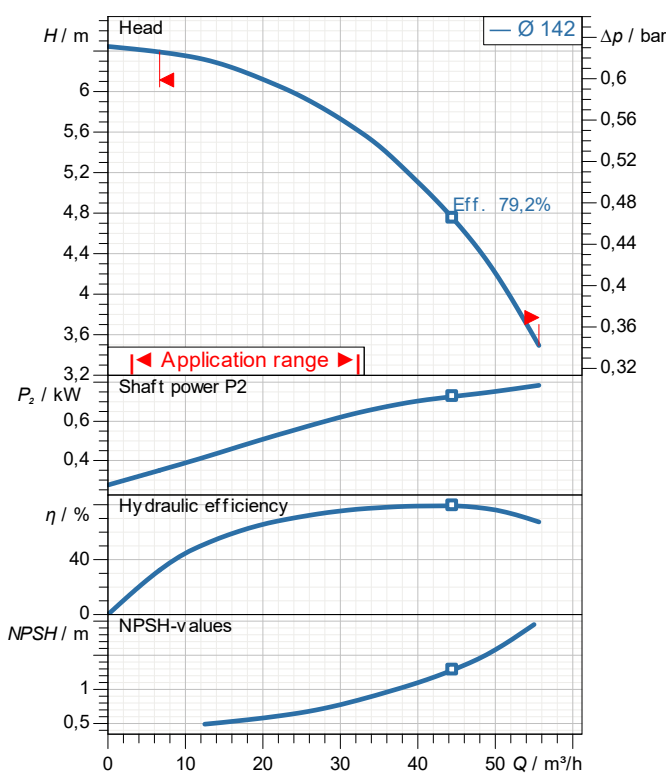
Item-No.
Design Close-coupled pumps
Type / Coding Etabloc PumpDrive 065-050-125/114 GG

Customer
Contact
E-mail
Phone

Company
Contact
E-mail
Phone

2025-01-20

Page 6 / 8



demand data

Flow
Head
Geodetic head
Media Water
Liquid temperature 20 °C
Concentration 100 %

Pump data

Make KSB
Type Etabloc PumpDrive 065-050-125/114 GG
Design Close-coupled pumps
Specific design Single head pump
Max. fluid temperature

Hydraulic data (Duty point)

Flow
Head
Efficiency
Minimum Efficiency Index $\geq 0,4$

Material / sealing element

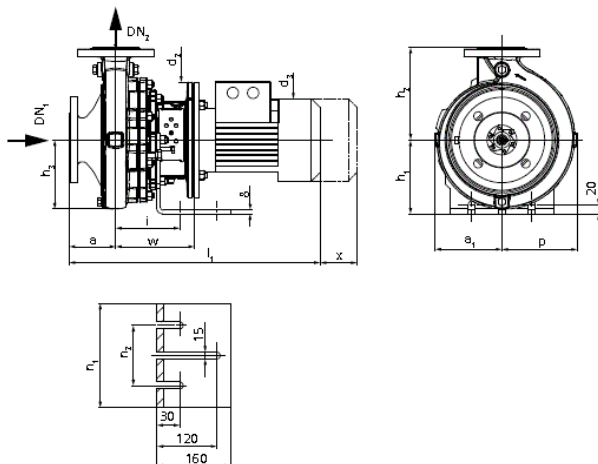
Volute casing Grey cast iron JL1040
Discharge cover Grey cast iron JL1040
Shaft Steel/tempered steel E335/C45
Impeller Grey cast iron JL1040
Bearing bracket lantern DPAF seal plate, asbestos-free
Casing wear ring Grey cast iron GG / cast iron

Motor data

Power uptake 1,26 kW
Rated power 1,1 kW
Speed 1.500 1/min
Rated voltage 400 V
Rated current 3 A
Degree of protection IP55

Product information

Ident. No./ type key 05130824
Weight loaded 57,81 kg
Gross price 8.432,54 EUR
PL 2025-01-20
Price group V3



Data sheet: performance curve

Project name
Project ID

Item-No.
Design Close-coupled pumps
Type / Coding Etabloc PumpDrive 065-050-125/114 GG

Customer
Contact
E-mail
Phone

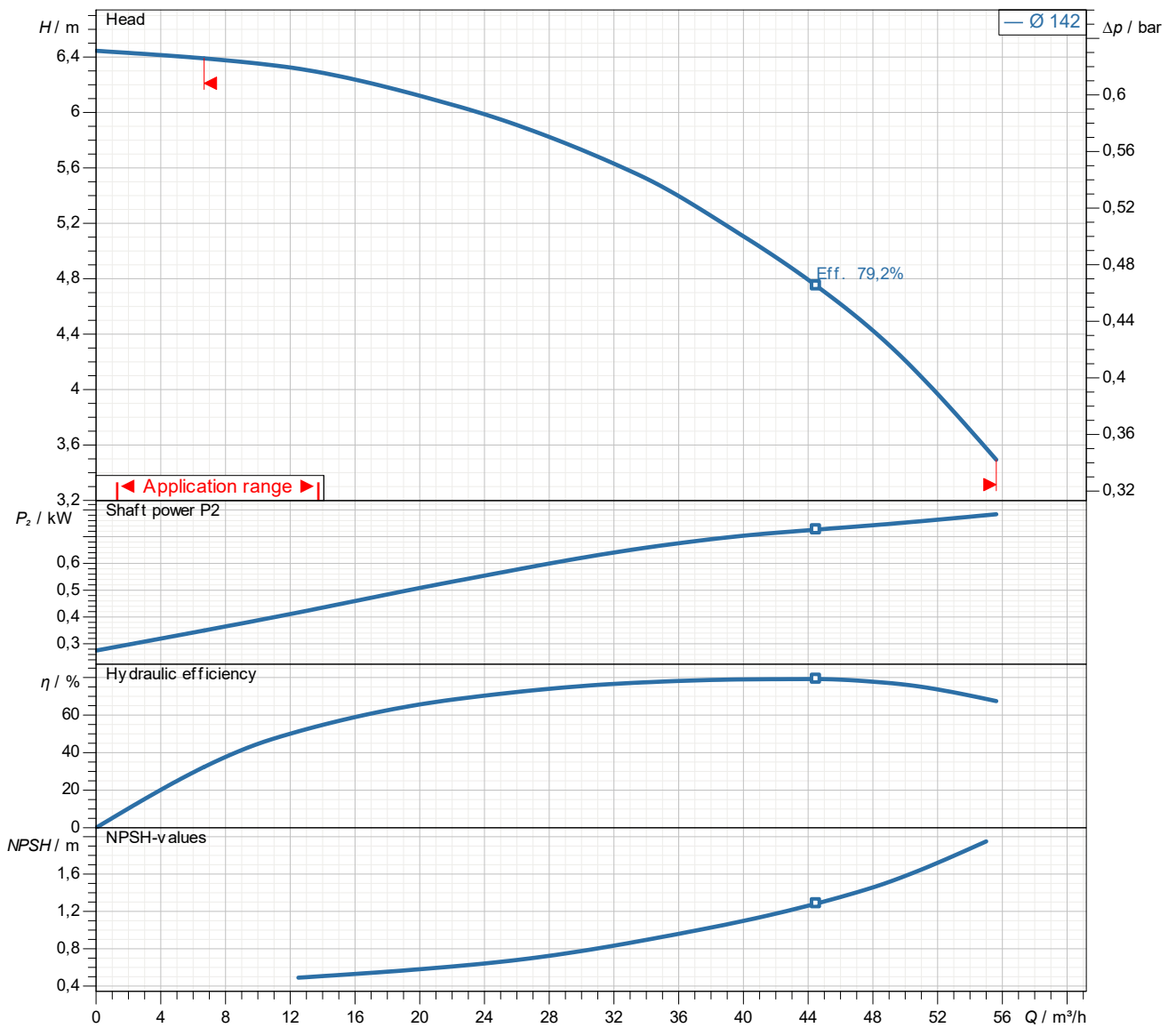
Company
Contact
E-mail
Phone

2025-01-20

Page 7 / 8

Performance curve

Etabloc PumpDrive 065-050-125/114 GG



Density 998,3 kg/m³
Viscosity 1,005 mm²/s



| Name | Wert | Name | Wert |
|------|--------|------|--------|
| a | 100 mm | n1 | 225 mm |
| a1 | 117 mm | n2 | 130 mm |
| d2 | 200 mm | p | 130 mm |
| d3 | 190 mm | w | 156 mm |
| DN1 | 65 mm | x | 100 mm |
| DN2 | 50 mm | | |
| h1 | 160 mm | | |
| h2 | 160 mm | | |
| h3 | 112 mm | | |
| i | 118 mm | | |
| l1 | 610 mm | | |