

**Tender text**

**Project name**  
**Project ID**

**Customer**  
 Contact  
 E-mail  
 Phone

**Company**  
 Contact  
 E-mail  
 Phone

2025-01-20

Page 1 / 8

Pos.no	Description	Item no.
	<b>Close-coupled pumps</b>	
	Etabloc PumpDrive 080-065-250/404 GG	05130898

**Etabloc PumpDrive**

Horizontal single-stage  
 volute casing pump in close-coupled design, with ratings to EN 733.  
 Axial suction nozzle, discharge nozzle pointing radially upwards.  
 Shaft fitted with a replaceable shaft sleeve in the shaft seal area.  
 Volute casing and casing cover with replaceable casing wear rings.  
 Volute casing with integrally cast pump feet for variants B, C and S.  
 Impeller matched to the operating point for saving energy.

**PumpDrive 2 Eco**

frequency inverter  
 Self-cooling frequency inverter is mounted directly on the motor.  
 Controlled by integrated PI controller. Controlled variables are  
 pressure, differential pressure, flow rate, temperature. Display and  
 setting of all operating parameters via a control unit with graphical  
 display. Set point adjustment or control via external standard signal  
 or via the control unit. Protective function for drive and pump. Pump  
 and drive parameters pre-set at the factory.

<b>Design</b>	
Mains voltage	: 3~ 380 V AC -10 % to 480 V AC +10 %
Mains frequency	: 50 - 60 Hz ± 2 %
Internal power supply unit	: 24 V ± 10 %, max. 600 mA DC
Enclosure	: IP55 (to EN 60529)
Ambient temperature	: -10 °C to +50 °C
Relative humidity in operation	: 5 % to 85 %, non-condensing
Service interface	: optical
Analog input	: 2 x 0/2 - 10 V or 0/4 - 20 mA
Analog output	: 1 x 0 - 10 V or 4 - 20 mA

**Tender text**

**Project name**  
**Project ID**

**Customer**  
 Contact  
 E-mail  
 Phone

**Company**  
 Contact  
 E-mail  
 Phone

2025-01-20

Page 2 / 8

Pos.no	Description	Item no.	Qty.	UP / EUR	TP / EUR
	Digital input	: 1 x, hardware enable input, 3 x parameterisable			
	Relay output	: 2 x NO contact, parameterisable			
	<b>Operating data</b>				
	Water		Fluid handled	:	
			Flow rate	:	
			Head	:	
	20,00 °C		Fluid temperature	:	
	temperature		Permissible fluid		
	0 bis +110		(min./max.)	:	
	pressure	: ≤ 16 bar	Maximum operating		
	10 to +50°C		Ambient temperature: -		
			(min./max.)		
			<b>Motor/electronics</b>		
	≥ 0,4		MEI value	:	
	4 kW		Motor rating	:	
	9,6 A		Max. rated current	:	



**Tender text**

**Project name**  
**Project ID**

**Customer**  
 Contact  
 E-mail  
 Phone

**Company**  
 Contact  
 E-mail  
 Phone

2025-01-20

Page 3 / 8

Pos.no	Description	Item no.	Qty.	UP / EUR	TP / EUR
	725 1/min ... 1.450 1/min	Speed	:		
	3 x 380 V AC - 15 % to 480 V AC +10 %	Power supply	:		
	112M	Motor size	:		
	: IE5	Energy efficiency class			
	IP55	Enclosure	:		
	KSB-Standard	Motor make	:		
		<b>Materials</b>			
	Grey cast iron JL1040	Pump casing (102)	:		
	Steel/tempered steel E335/C45	Impeller (230)	:		
	Grey cast iron JL1040	Pump shaft (210)	:		
	Grey cast iron JL1040	Casing cover (161)	:		
	Casing wear ring, suction side (502.01): DPAF seal plate, asbestos-free				
	Casing wear ring, discharge side (502.02): Grey cast iron GG / cast iron				
	Single mechanical seal with vented chamber (A-type cover)	Shaft seal type	:		
		Shaft seal material			



**Tender text**

**Project name**  
**Project ID**

**Customer**  
Contact  
E-mail  
Phone

**Company**  
Contact  
E-mail  
Phone

2025-01-20

Page 4 / 8

---

<b>Pos.no</b>	<b>Description</b>	<b>Item no.</b>	<b>Qty.</b>	<b>UP / EUR</b>	<b>TP / EUR</b>
	:10 = Q1Q1X4GG				
	<b>connections</b>	<b>Dimensions and</b>			
	discharge nozzle DN2 : DN 65	Nominal size of			
	suction nozzle DN1 : DN 80	Nominal diameter of			
	suction side : 16	Nominal pressure,			
	discharge side : 16	Nominal pressure,			
	<b>information</b>	<b>Purchase order</b>			
	107 kg	Approx. net weight :			
	KSB	Make :			
	Etabloc PumpDrive 080-065-250/404 GG	Type :			
	V3	Material price group :			
	05130898	<b>Material number</b> :			



**Tender text**

**Project name**  
**Project ID**

**Customer**  
Contact  
E-mail  
Phone

**Company**  
Contact  
E-mail  
Phone

2025-01-20

Page 5 / 8

---

<b>Pos.no</b>	<b>Description</b>	<b>Item no.</b>	<b>Qty.</b>	<b>UP / EUR</b>	<b>TP / EUR</b>
	Frequency controller: PumpDrive2 Eco 065-040-250		1		

---

**Data sheet: technical data**

**Project name**  
**Project ID**

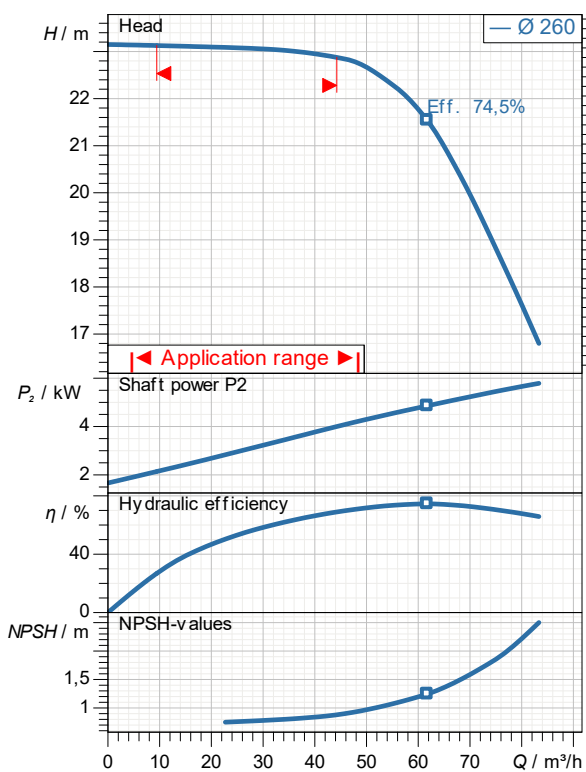
**Item-No.**  
**Design** Close-coupled pumps  
**Type / Coding** Etabloc PumpDrive 080-065-250/404 GG

**Customer**  
Contact  
E-mail  
Phone

**Company**  
Contact  
E-mail  
Phone

2025-01-20

Page 6 / 8



**demand data**

Flow  
Head  
Geodetic head  
Media Water  
Liquid temperature 20 °C  
Concentration 100 %

**Pump data**

Make KSB  
Type Etabloc PumpDrive 080-065-250/404 GG  
Design Close-coupled pumps  
Specific design Single head pump  
Max. fluid temperature

**Hydraulic data (Duty point)**

Flow  
Head  
Efficiency  
Minimum Efficiency Index  $\geq 0,4$

**Material / sealing element**

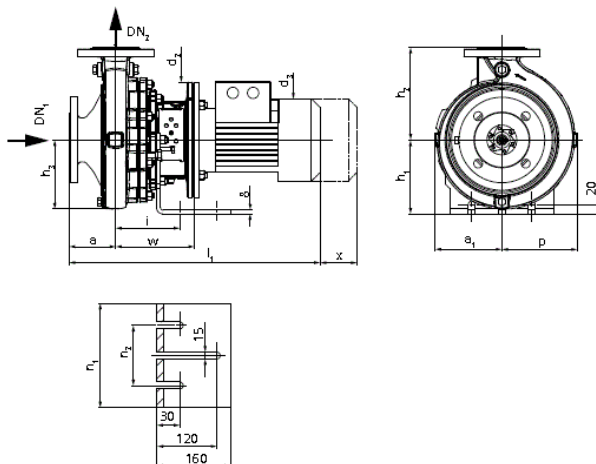
Volute casing Grey cast iron JL1040  
Discharge cover Grey cast iron JL1040  
Shaft Steel/tempered steel E335/C45  
Impeller Grey cast iron JL1040  
Bearing bracket lantern DPAF seal plate, asbestos-free  
Casing wear ring Grey cast iron GG / cast iron

**Motor data**

Power uptake 4,39 kW  
Rated power 4 kW  
Speed 1.500 1/min  
Rated voltage 400 V  
Rated current 9,6 A  
Degree of protection IP55

**Product information**

Ident. No./ type key 05130898  
Weight loaded 107 kg  
Gross price 10.810,08 EUR  
PL 2025-01-20  
Price group V3



**Data sheet: performance curve**

**Project name**  
**Project ID**

**Item-No.**  
**Design** Close-coupled pumps  
**Type / Coding** Etabloc Pump pDrive 080-065-250/404 GG

**Customer**  
Contact  
E-mail  
Phone

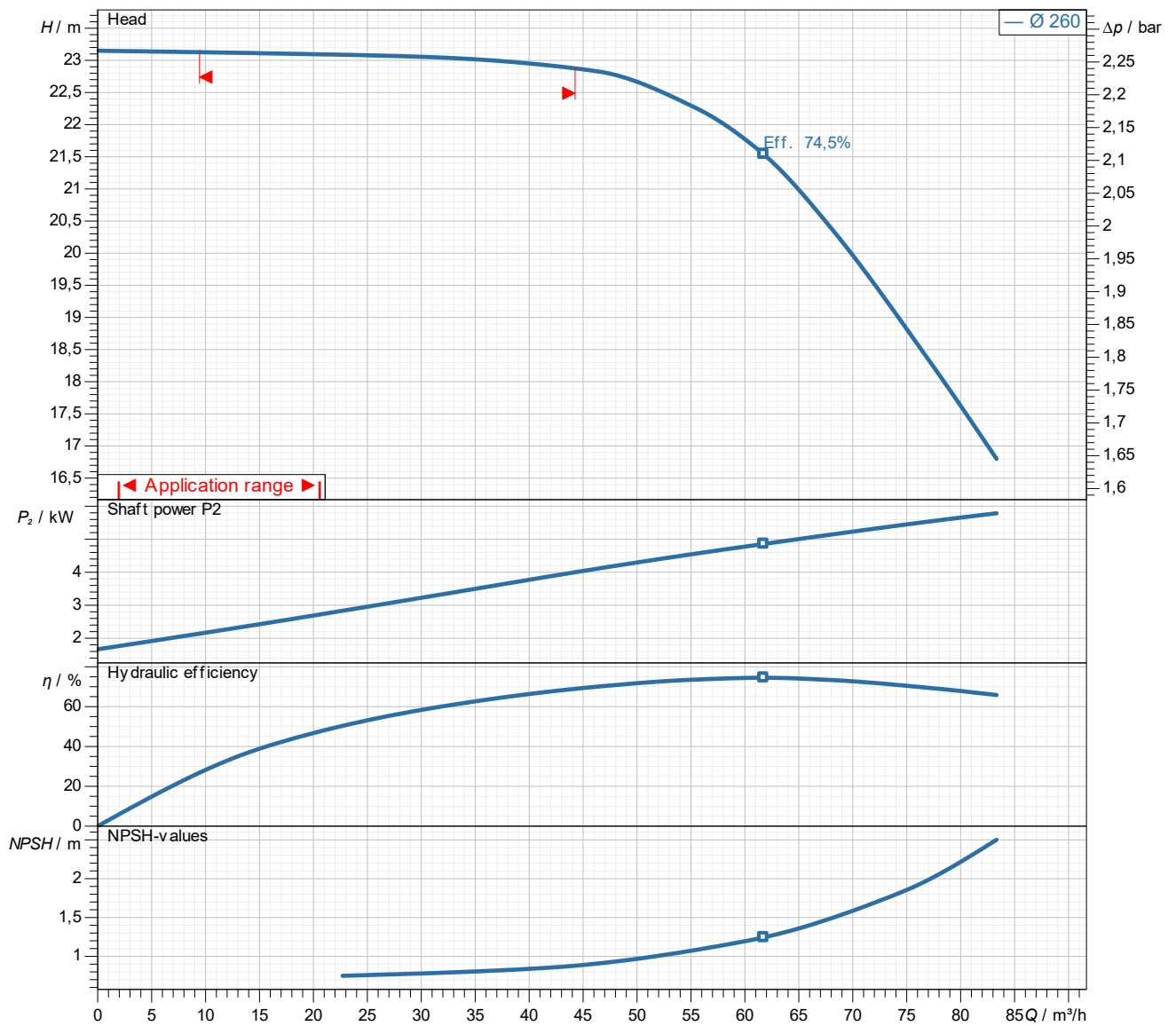
**Company**  
Contact  
E-mail  
Phone

2025-01-20

Page 7 / 8

**Performance curve**

**Etabloc PumpDrive 080-065-250/404 GG**



Density 998,3 kg/m<sup>3</sup>  
Viscosity 1,005 mm<sup>2</sup>/s



Name	Wert	Name	Wert
a	100 mm	n2	212 mm
a1	179 mm	p	199 mm
d1	14 mm	s1	18 mm
DN1	80 mm	x	140 mm
DN2	65 mm		
h1	180 mm		
h2	250 mm		
h3	185 mm		
m1	125 mm		
m2	95 mm		
n1	280 mm		