

**Tender text**

**Project name**  
**Project ID**

**Customer**  
Contact  
E-mail  
Phone

**Company**  
Contact  
E-mail  
Phone

2025-01-20

Page 1 / 8

Pos.no	Description	Item no.
	<b>Close-coupled pumps</b>	
	Etabloc PumpDrive 100-080-250/754 GG	05130944

**Etabloc PumpDrive**

Horizontal single-stage volute casing pump in close-coupled design, with ratings to EN 733. Axial suction nozzle, discharge nozzle pointing radially upwards. Shaft fitted with a replaceable shaft sleeve in the shaft seal area. Volute casing and casing cover with replaceable casing wear rings. Volute casing with integrally cast pump feet for variants B, C and S. Impeller matched to the operating point for saving energy.

**PumpDrive 2 frequency**

inverter  
Self-cooling frequency inverter is mounted directly on the motor. Controlled by integrated PI controller. Controlled variables are pressure, differential pressure, flow rate, temperature. Display and setting of all operating parameters via a control unit with graphical display. Setpoint adjustment or control via external standard signal or via the control unit. Protective function for drive and pump. Pump and drive parameters pre-set at the factory.

Design:

Mains voltage	: 3~ 380 V AC -10 % to 480 V AC +10 %
Mains frequency	: 50 - 60 Hz ± 2 %
Internal power supply unit	: 24 V ± 10 %, max. 600 mA DC
Enclosure	: IP55 (to EN 60529)
Ambient temperature	: -10 °C to +50 °C
Relative humidity in operation	: 5 % to 85 %, non-condensing
Service interface	: optical
Analog input	: 2 x 0/2 - 10 V or 0/4 - 20 mA
Analog output	: 1 x 0 - 10 V or 4 - 20 mA



## Tender text

**Project name**  
**Project ID**

**Customer**  
Contact  
E-mail  
Phone

**Company**  
Contact  
E-mail  
Phone

2025-01-20

Page 2 / 8

---

Pos.no	Description	Item no.	Qty.	UP / EUR	TP / EUR
	Digital input	: 1 x hardware enable input, 5 x parameterisable			
	Relay output	: 2 changeover contacts, parameterisable			
	Bus systems (optional)	: Modbus RTU, Profibus DP, LON, BACnet MS/TP, Profinet			
	<b>Operating data</b>				
	Water		Fluid handled	:	
			Flow rate	:	
			Head	:	
	20,00 °C		Fluid temperature	:	
	temperature		Permissible fluid		
	0 bis +110		(min./max.)	:	
	pressure	: ≤ 16 bar	Maximum operating		
	10 to +50°C		Ambient temperature: -		
			(min./max.)		
			<b>Motor/electronics</b>		
	≥ 0,4		MEI value	:	
	7,5 kW		Motor rating	:	
			Max. rated current	:	

**Tender text**

**Project name**  
**Project ID**

**Customer**  
Contact  
E-mail  
Phone

**Company**  
Contact  
E-mail  
Phone

2025-01-20

Page 3 / 8

Pos.no	Description	Item no.	Qty.	UP / EUR	TP / EUR
	17,6 A				
	500 1/min ... 1.800 1/min	Speed	:		
	3 x 380 V AC - 15 % to 480 V AC +10 %	Power supply	:		
	132M	Motor size	:		
	: IE5	Energy efficiency class			
	IP55	Enclosure	:		
	KSB-Standard	Motor make	:		
		<b>Materials</b>			
	Grey cast iron JL1040	Pump casing (102)	:		
	Steel/tempered steel E335/C45	Impeller (230)	:		
	Grey cast iron JL1040	Pump shaft (210)	:		
	Grey cast iron JL1040	Casing cover (161)	:		
		Casing wear ring, suction side (502.01): DPAF seal plate, asbestos-free			
		Casing wear ring, discharge side (502.02): Grey cast iron GG / cast iron			
		Shaft seal type	:		
		Single mechanical seal with vented chamber (A-type cover)			





**Tender text**

**Project name**  
**Project ID**

**Customer**  
Contact  
E-mail  
Phone

**Company**  
Contact  
E-mail  
Phone

2025-01-20

Page 5 / 8

---

<b>Pos.no</b>	<b>Description</b>	<b>Item no.</b>	<b>Qty.</b>	<b>UP / EUR</b>	<b>TP / EUR</b>
	Frequency controller: PumpDrive2		1		

---

**Data sheet: technical data**

**Project name**  
**Project ID**

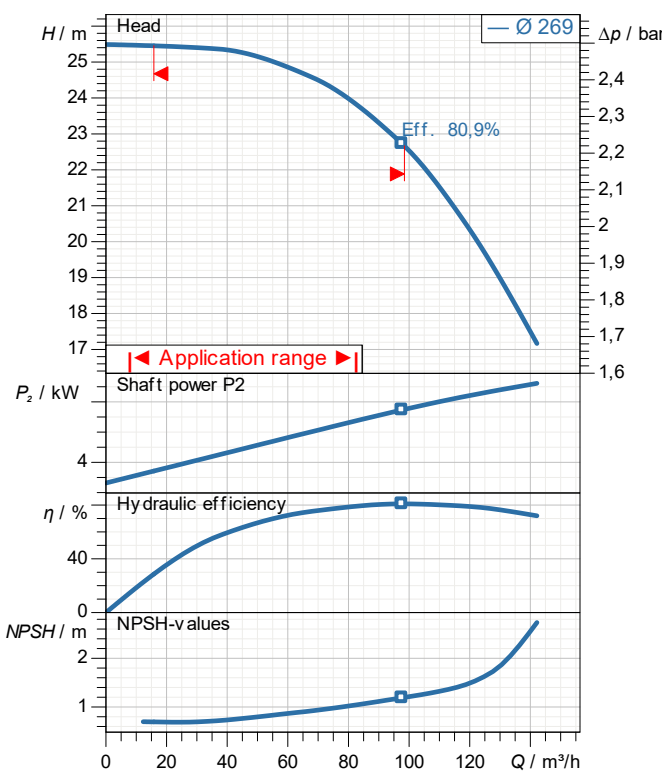
**Item-No.**  
**Design**                   **Close-coupled pumps**  
**Type / Coding**           **Etabloc PumpDrive 100-080-250/754 GG**

**Customer**  
Contact  
E-mail  
Phone

**Company**  
Contact  
E-mail  
Phone

2025-01-20

Page 6 / 8



**demand data**

Flow  
Head  
Geodetic head  
Media                           Water  
Liquid temperature       20 °C  
Concentration               100 %

**Pump data**

Make                            KSB  
Type                           Etabloc PumpDrive 100-080-250/754 GG  
Design                        Close-coupled pumps  
Specific design              Single head pump  
Max. fluid temperature

**Hydraulic data (Duty point)**

Flow  
Head  
Efficiency  
Minimum Efficiency Index   ≥ 0,4

**Material / sealing element**

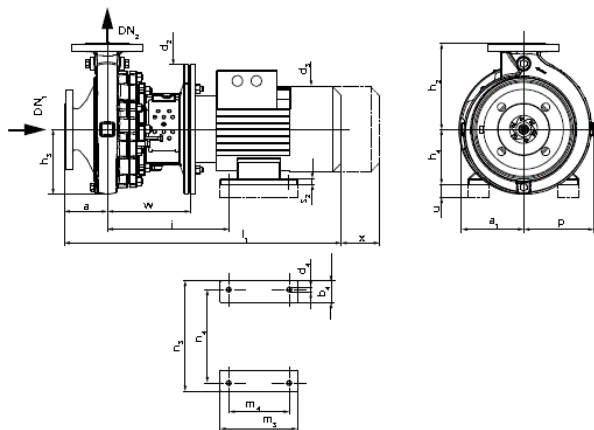
Volute casing                Grey cast iron JL1040  
Discharge cover            Grey cast iron JL1040  
Shaft                           Steel/tempered steel E335/C45  
Impeller                      Grey cast iron JL1040  
Bearing bracket lantern   DPAF seal plate, asbestos-free  
Casing wear ring            Grey cast iron GG / cast iron

**Motor data**

Power uptake                8,09 kW  
Rated power                 7,5 kW  
Speed                         1.500 1/min  
Rated voltage                400 V  
Rated current                17,6 A  
Degree of protection        IP55

**Product information**

Ident. No./ type key        05130944  
Weight loaded               145,7 kg  
Gross price                 15.586,93 EUR  
PL 2025-01-20  
Price group                 V3



**Data sheet: performance curve**

**Project name**  
**Project ID**

**Item-No.**  
**Design** Close-coupled pumps  
**Type / Coding** Etabloc PumpDrive 100-080-250/754 GG

**Customer**  
Contact  
E-mail  
Phone

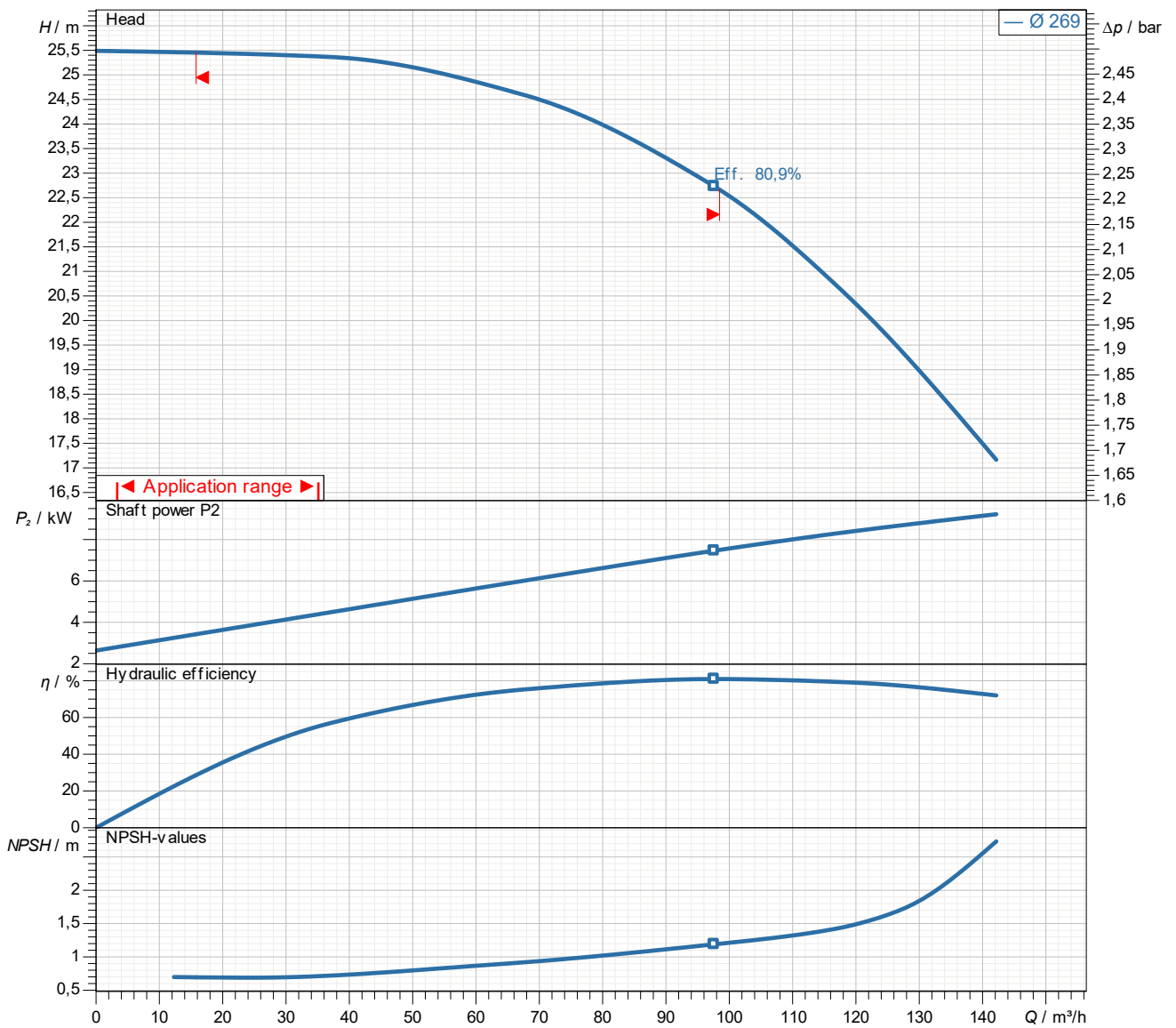
**Company**  
Contact  
E-mail  
Phone

2025-01-20

Page 7 / 8

**Performance curve**

**Etabloc PumpDrive 100-080-250/754 GG**



Density 998,3 kg/m<sup>3</sup>  
Viscosity 1,005 mm<sup>2</sup>/s

