

**Tender text**

**Project name**  
**Project ID**

**Customer**  
 Contact  
 E-mail  
 Phone

**Company**  
 Contact  
 E-mail  
 Phone

2025-01-20

Page 1 / 8

| Pos.no | Description                              | Item no. |
|--------|--|----------|
|        | <b>Close-coupled pumps</b>               |          |
|        | Etabloc PumpDrive 150-125-250/1854<br>GG | 05131003 |

**Etabloc PumpDrive**

Horizontal single-stage volute casing pump in close-coupled design, with ratings to EN 733. Axial suction nozzle, discharge nozzle pointing radially upwards. Shaft fitted with a replaceable shaft sleeve in the shaft seal area. Volute casing and casing cover with replaceable casing wear rings. Volute casing with integrally cast pump feet for variants B, C and S. Impeller matched to the operating point for saving energy.

**PumpDrive 2 frequency**

inverter  
 Self-cooling frequency inverter is mounted directly on the motor. Controlled by integrated PI controller. Controlled variables are pressure, differential pressure, flow rate, temperature. Display and setting of all operating parameters via a control unit with graphical display. Setpoint adjustment or control via external standard signal or via the control unit. Protective function for drive and pump. Pump and drive parameters pre-set at the factory.

Design:

|                                |  |
|--------------------------------|--|
| Mains voltage                  | : 3~ 380 V AC -10 %<br>to 480 V AC +10 % |
| Mains frequency                | : 50 - 60 Hz ± 2 %                       |
| Internal power supply unit     | : 24 V ± 10 %, max.<br>600 mA DC         |
| Enclosure                      | : IP55 (to EN 60529)                     |
| Ambient temperature            | : -10 °C to +50 °C                       |
| Relative humidity in operation | : 5 % to 85 %, non-condensing            |
| Service interface              | : optical                                |
| Analog input                   | : 2 x 0/2 - 10 V or 0/4 - 20 mA          |
| Analog output                  | : 1 x 0 - 10 V or 4 - 20 mA              |



**Tender text**

**Project name**  
**Project ID**

**Customer**  
 Contact  
 E-mail  
 Phone

**Company**  
 Contact  
 E-mail  
 Phone

2025-01-20

Page 2 / 8

| Pos.no                   | Description            | Item no.  | Qty. | UP / EUR | TP / EUR |
|--------------------------|------------------------|---|------|----------|----------|
|                          | Digital input          | : 1 x hardware enable input,<br>5 x parameterisable       |      |          |          |
|                          | Relay output           | : 2 changeover contacts,<br>parameterisable               |      |          |          |
|                          | Bus systems (optional) | : Modbus RTU, Profibus DP,<br>LON, BACnet MS/TP, Profinet |      |          |          |
| <b>Operating data</b>    |                        |   |      |          |          |
|                          | Water                  | Fluid handled   | :    |          |          |
|                          |                        | Flow rate   | :    |          |          |
|                          |                        | Head  | :    |          |          |
|                          | 20,00 °C               | Fluid temperature   | :    |          |          |
|                          | temperature            | Permissible fluid   |      |          |          |
|                          | 0 bis +110             | (min./max.)   | :    |          |          |
|                          | pressure               | Maximum operating   |      |          |          |
|                          | : ≤ 16 bar             | Ambient temperature: -                                    |      |          |          |
|                          | 10 to +50°C            | (min./max.)   |      |          |          |
| <b>Motor/electronics</b> |                        |   |      |          |          |
|                          | ≥ 0,4                  | MEI value   | :    |          |          |
|                          | 18,5 kW                | Motor rating  | :    |          |          |
|                          |                        | Max. rated current  | :    |          |          |

**Tender text**

**Project name**  
**Project ID**

**Customer**  
Contact  
E-mail  
Phone

**Company**  
Contact  
E-mail  
Phone

2025-01-20

Page 3 / 8

| Pos.no | Description                           | Item no.  | Qty. | UP / EUR | TP / EUR |
|--------|---------------------------------------|---|------|----------|----------|
|        | 42 A                                  |   |      |          |          |
|        | 500 1/min ... 2.000 1/min             | Speed   | :    |          |          |
|        | 3 x 380 V AC - 15 % to 480 V AC +10 % | Power supply  | :    |          |          |
|        | 180M                                  | Motor size  | :    |          |          |
|        |                                       | Energy efficiency class<br>: IE4 = Super Premium Efficiency                 |      |          |          |
|        | IP55                                  | Enclosure   | :    |          |          |
|        | KSB-Standard                          | Motor make  | :    |          |          |
|        |                                       | <b>Materials</b>  |      |          |          |
|        | Grey cast iron JL1040                 | Pump casing (102)   | :    |          |          |
|        | Steel/tempered steel E335/C45         | Impeller (230)  | :    |          |          |
|        | Grey cast iron JL1040                 | Pump shaft (210)  | :    |          |          |
|        | Grey cast iron JL1040                 | Casing cover (161)  | :    |          |          |
|        |                                       | Casing wear ring,<br>suction side (502.01): DPAF seal plate, asbestos-free  |      |          |          |
|        |                                       | Casing wear ring,<br>discharge side (502.02): Grey cast iron GG / cast iron |      |          |          |
|        |                                       | Shaft seal type   | :    |          |          |
|        |                                       | Single mechanical seal with vented chamber (A-type cover)                   |      |          |          |



**Tender text**

**Project name**  
**Project ID**

**Customer**  
 Contact  
 E-mail  
 Phone

**Company**  
 Contact  
 E-mail  
 Phone

2025-01-20

Page 4 / 8

| Pos.no | Description                           | Item no. | Qty. | UP / EUR | TP / EUR                 |
|--------|---------------------------------------|----------|------|----------|--------------------------|
|        | :10 = Q1Q1X4GG                        |          |      |          |                          |
|        |                                       |          |      |          | Shaft seal material      |
|        | <b>connections</b>                    |          |      |          | <b>Dimensions and</b>    |
|        | discharge nozzle DN2 : DN 125         |          |      |          | Nominal size of          |
|        | suction nozzle DN1 : DN 150           |          |      |          | Nominal diameter of      |
|        | suction side : 16                     |          |      |          | Nominal pressure,        |
|        | discharge side : 16                   |          |      |          | Nominal pressure,        |
|        | <b>information</b>                    |          |      |          | <b>Purchase order</b>    |
|        | 335,2 kg                              |          |      |          | Approx. net weight :     |
|        | KSB                                   |          |      |          | Make :                   |
|        | Etabloc PumpDrive 150-125-250/1854 GG |          |      |          | Type :                   |
|        | V3                                    |          |      |          | Material price group :   |
|        | 05131003                              |          |      |          | <b>Material number</b> : |



**Tender text**

**Project name**  
**Project ID**

**Customer**  
Contact  
E-mail  
Phone

**Company**  
Contact  
E-mail  
Phone

2025-01-20

Page 5 / 8

---

| <b>Pos.no</b> | <b>Description</b>               | <b>Item no.</b> | <b>Qty.</b> | <b>UP / EUR</b> | <b>TP / EUR</b> |
|---------------|----------------------------------|-----------------|-------------|-----------------|-----------------|
|               | Frequency controller: PumpDrive2 |                 | 1           |                 |                 |

---

**Data sheet: technical data**

**Project name**  
**Project ID**

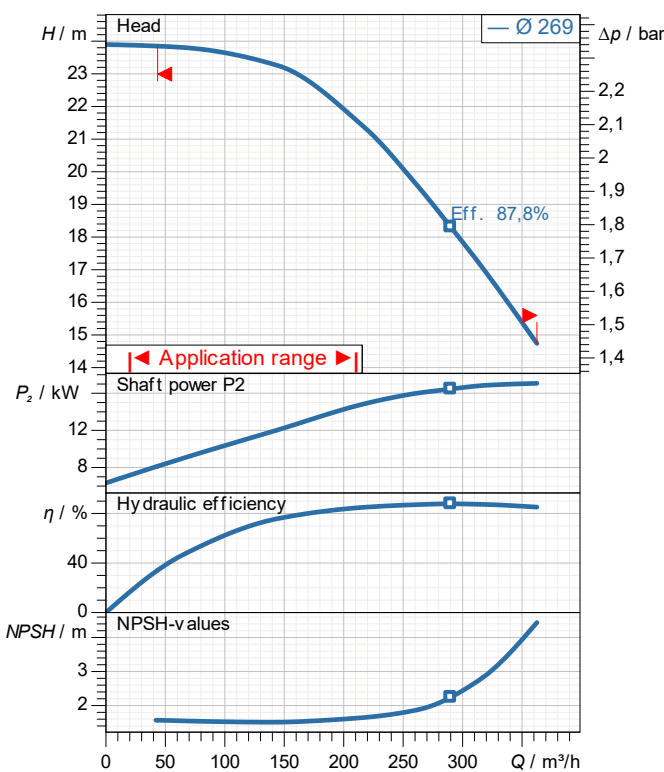
**Item-No.**  
**Design** Close-coupled pumps  
**Type / Coding** Etabloc PumpDrive 150-125-250/1854 GG

**Customer**  
Contact  
E-mail  
Phone

**Company**  
Contact  
E-mail  
Phone

2025-01-20

Page 6 / 8



**demand data**

Flow  
Head  
Geodetic head  
Media Water  
Liquid temperature 20 °C  
Concentration 100 %

**Pump data**

Make KSB  
Type Etabloc PumpDrive 150-125-250/1854 GG  
Design Close-coupled pumps  
Specific design Single head pump  
Max. fluid temperature

**Hydraulic data (Duty point)**

Flow  
Head  
Efficiency  
Minimum Efficiency Index ≥ 0,4

**Material / sealing element**

Volute casing Grey cast iron JL1040  
Discharge cover Grey cast iron JL1040  
Shaft Steel/tempered steel E335/C45  
Impeller Grey cast iron JL1040  
Bearing bracket lantern DPAF seal plate, asbestos-free  
Casing wear ring Grey cast iron GG / cast iron

**Motor data**

Power uptake 19,6 kW  
Rated power 18,5 kW  
Speed 1.500 1/min  
Rated voltage 400 V  
Rated current 42 A  
Degree of protection IP55

**Product information**

Ident. No./ type key 05131003  
Weight loaded 335,2 kg  
Gross price 27.845,64 EUR  
PL 2025-01-20  
Price group V3



**Data sheet: performance curve**

**Project name**  
**Project ID**

**Item-No.**  
**Design** Close-coupled pumps  
**Type / Coding** Etabloc PumpDrive 150-125-250/1854 GG

**Customer**  
Contact  
E-mail  
Phone

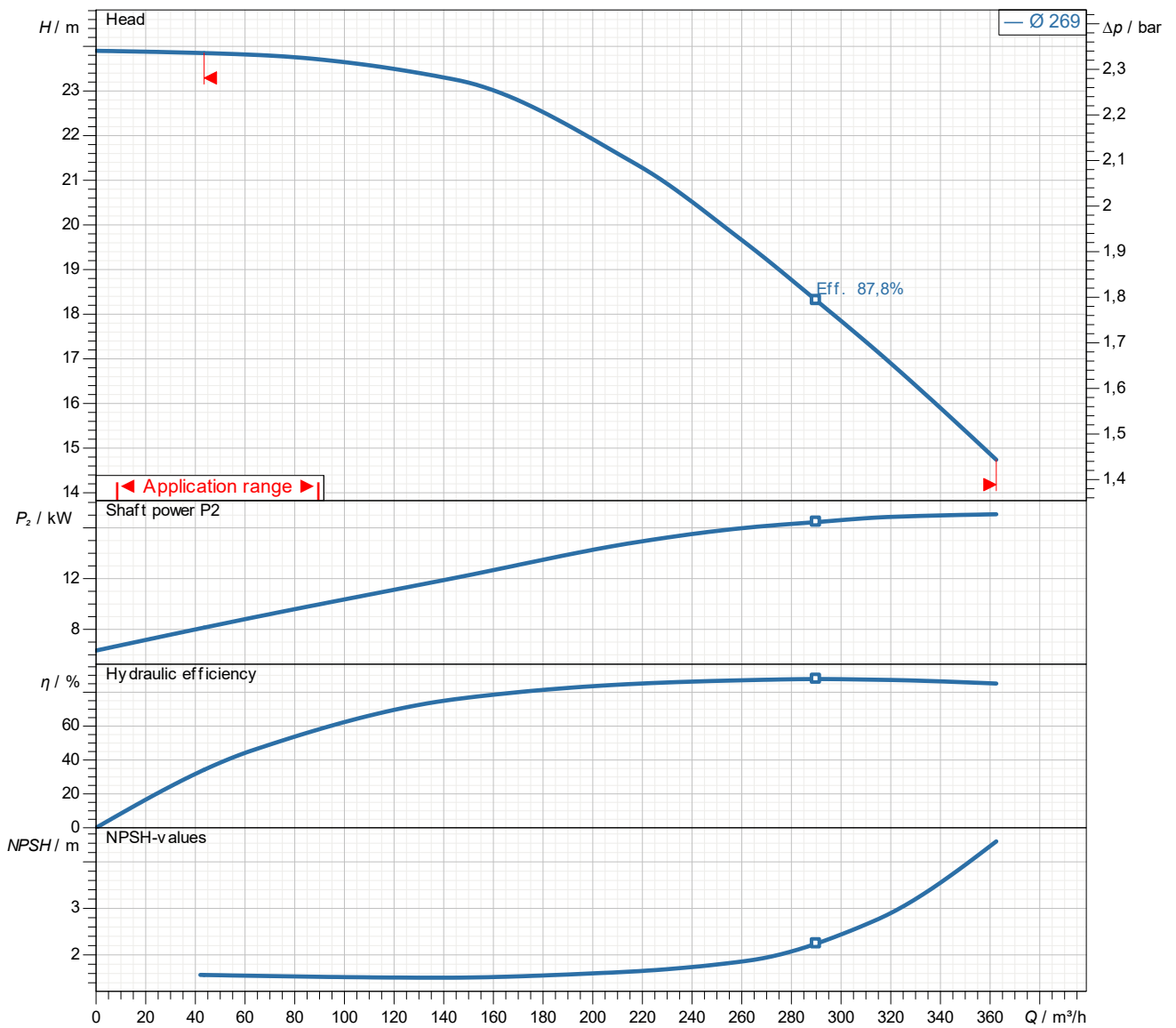
**Company**  
Contact  
E-mail  
Phone

2025-01-20

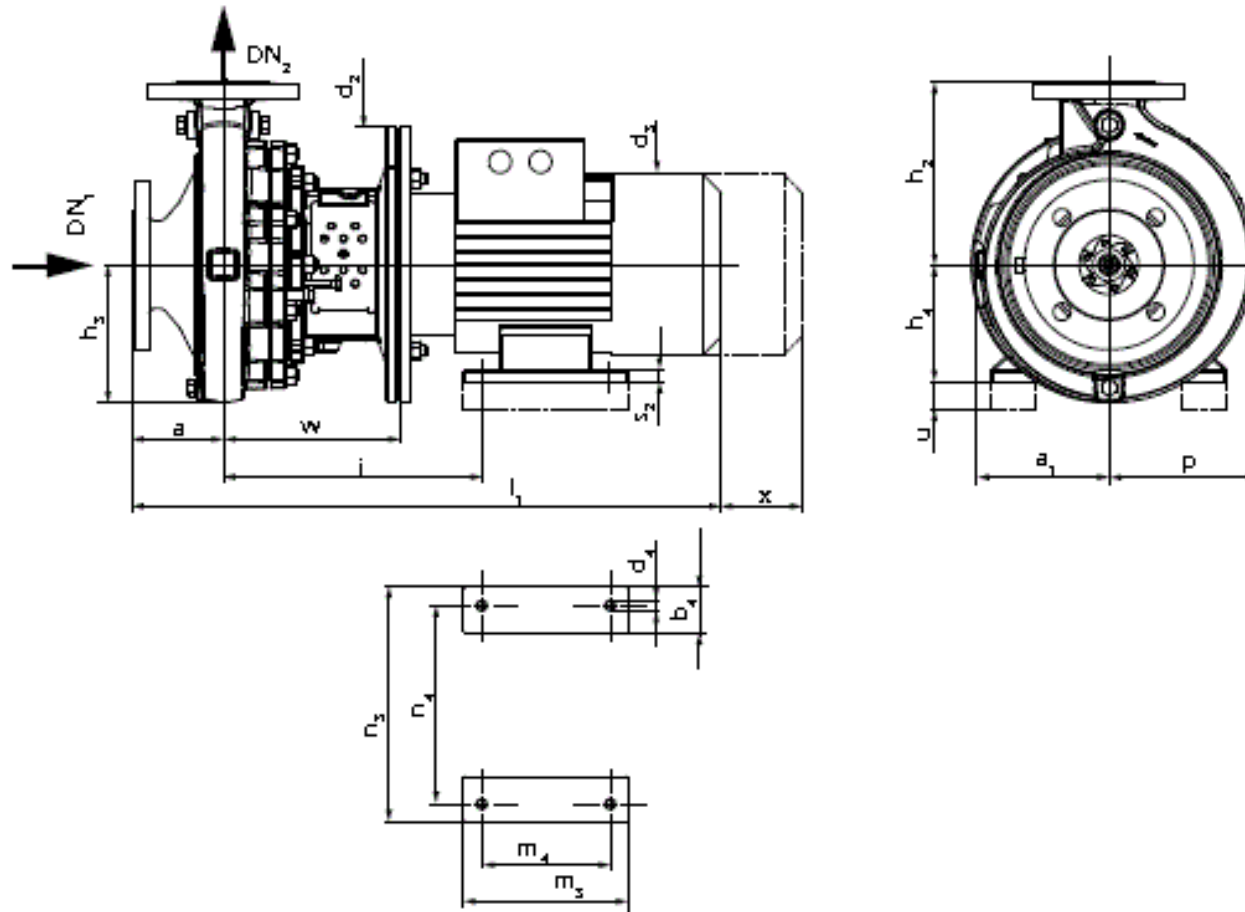
Page 7 / 8

**Performance curve**

**Etabloc PumpDrive 150-125-250/1854 GG**



Density 998,3 kg/m<sup>3</sup>  
Viscosity 1,005 mm<sup>2</sup>/s



| Name | Wert     | Name | Wert   |
|------|----------|------|--------|
| a    | 140 mm   | m1   | 125 mm |
| a1   | 226 mm   | m2   | 95 mm  |
| d2   | 350 mm   | m3   | 343 mm |
| d3   | 370 mm   | m4   | 241 mm |
| DN1  | 180 mm   | n3   | 368 mm |
| DN2  | 125 mm   | n4   | 279 mm |
| h2   | 355 mm   | p    | 275 mm |
| h3   | 248 mm   | s2   | 23 mm  |
| h4   | 160 mm   | w    | 246 mm |
| i    | 367 mm   | x    | 140 mm |
| l1   | 1.003 mm |      |        |