

Tender text

Project name
Project ID

Customer
Contact
E-mail
Phone

Company
Contact
E-mail
Phone

2025-01-20

Page 1 / 8

Pos.no	Description	Item no.
	Close-coupled pumps	
	Etabloc PumpDrive 100-080-400/4504 GB	05131943

Etabloc PumpDrive

Horizontal single-stage volute casing pump in close-coupled design, with ratings to EN 733. Axial suction nozzle, discharge nozzle pointing radially upwards. Shaft fitted with a replaceable shaft sleeve in the shaft seal area. Volute casing and casing cover with replaceable casing wear rings. Volute casing with integrally cast pump feet for variants B, C and S. Impeller matched to the operating point for saving energy.

PumpDrive 2 frequency

inverter
Self-cooling frequency inverter is mounted directly on the motor. Controlled by integrated PI controller. Controlled variables are pressure, differential pressure, flow rate, temperature. Display and setting of all operating parameters via a control unit with graphical display. Setpoint adjustment or control via external standard signal or via the control unit. Protective function for drive and pump. Pump and drive parameters pre-set at the factory.

Design:

Mains voltage	: 3~ 380 V AC -10 % to 480 V AC +10 %
Mains frequency	: 50 - 60 Hz ± 2 %
Internal power supply unit	: 24 V ± 10 %, max. 600 mA DC
Enclosure	: IP55 (to EN 60529)
Ambient temperature	: -10 °C to +50 °C
Relative humidity in operation	: 5 % to 85 %, non-condensing
Service interface	: optical
Analog input	: 2 x 0/2 - 10 V or 0/4 - 20 mA
Analog output	: 1 x 0 - 10 V or 4 - 20 mA

Tender text

Project name

Project ID

Customer

Contact

E-mail

Phone

Company

Contact

E-mail

Phone

2025-01-20

Page 2 / 8

Pos.no	Description	Item no.	Qty.	UP / EUR	TP / EUR
	Digital input	: 1 x hardware enable input, 5 x parameterisable			
	Relay output	: 2 changeover contacts, parameterisable			
	Bus systems (optional)	: Modbus RTU, Profibus DP, LON, BACnet MS/TP, Profinet			
Operating data					
	Water	Fluid handled	:		
		Flow rate	:		
		Head	:		
	20,00 °C	Fluid temperature	:		
	temperature	Permissible fluid			
	0 bis +110	(min./max.)	:		
	pressure	Maximum operating			
	: ≤ 16 bar	Ambient temperature: -			
	10 to +50°C	(min./max.)			
Motor/electronics					
	≥ 0,4	MEI value	:		
	45 kW	Motor rating	:		
		Max. rated current	:		

Tender text

Project name
Project ID

Customer
Contact
E-mail
Phone

Company
Contact
E-mail
Phone

2025-01-20

Page 3 / 8

Pos.no	Description	Item no.	Qty.	UP / EUR	TP / EUR
	99,3 A				
	500 1/min ... 1.900 1/min	Speed	:		
	3 x 380 V AC - 15 % to 480 V AC +10 %	Power supply	:		
	225M	Motor size	:		
		Energy efficiency class : IE4 = Super Premium Efficiency			
	IP55	Enclosure	:		
	KSB-Standard	Motor make	:		
		Materials			
	Grey cast iron JL1040	Pump casing (102)	:		
	Tin bronze CC480K-GS / B30 C90700	Impeller (230)	:		
	Steel/tempered steel E335/C45	Pump shaft (210)	:		
	Grey cast iron JL1040	Casing cover (161)	:		
		Casing wear ring, suction side (502.01): DPAF seal plate, asbestos-free			
		Casing wear ring, discharge side (502.02): Grey cast iron GG / cast iron			
		Shaft seal type	:		
		Single mechanical seal with vented chamber (A-type cover)			



Tender text

Project name
Project ID

Customer
Contact
E-mail
Phone

Company
Contact
E-mail
Phone

2025-01-20

Page 4 / 8

Pos.no	Description	Item no.	Qty.	UP / EUR	TP / EUR
	:10 = Q1Q1X4GG				
		Shaft seal material			
	connections	Dimensions and			
	discharge nozzle DN2 : DN 80	Nominal size of			
	suction nozzle DN1 : DN 100	Nominal diameter of			
	suction side : 16	Nominal pressure,			
	discharge side : 16	Nominal pressure,			
	information	Purchase order			
	561,3 kg	Approx. net weight :			
	KSB	Make :			
	Etabloc PumpDrive 100-080-400/4504 GB	Type :			
	V3	Material price group :			
	05131943	Material number :			



Tender text

Project name
Project ID

Customer
Contact
E-mail
Phone

Company
Contact
E-mail
Phone

2025-01-20

Page 5 / 8

Pos.no	Description	Item no.	Qty.	UP / EUR	TP / EUR
	Frequency controller: PumpDrive2		1		

Data sheet: technical data

Project name
Project ID

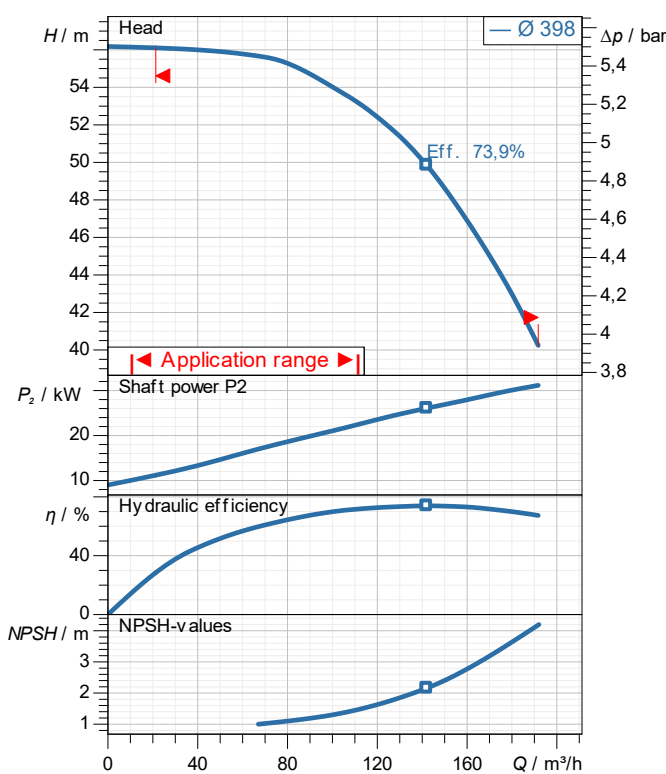
Item-No.
Design **Close-coupled pumps**
Type / Coding **Etabloc PumpDrive 100-080-400/4504 GB**

Customer
Contact
E-mail
Phone

Company
Contact
E-mail
Phone

2025-01-20

Page 6 / 8



demand data

Flow
Head
Geodetic head
Media Water
Liquid temperature 20 °C
Concentration 100 %

Pump data

Make KSB
Type Etabloc PumpDrive 100-080-400/4504 GB
Design Close-coupled pumps
Specific design Single head pump
Max. fluid temperature 140 °C

Hydraulic data (Duty point)

Flow
Head
Efficiency
Minimum Efficiency Index ≥ 0,4

Material / sealing element

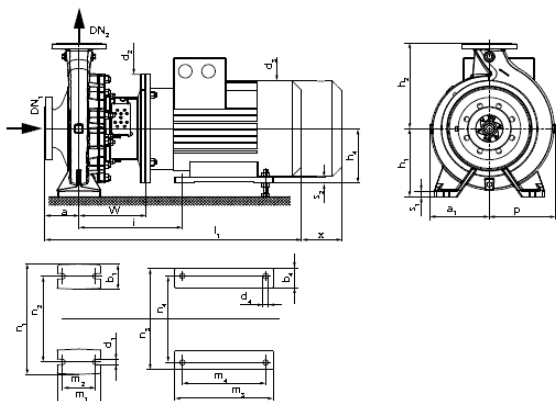
Volute casing Grey cast iron JL1040
Discharge cover Grey cast iron JL1040
Impeller Tin bronze CC480K-GS / B30 C90700
Shaft Steel/tempered steel E335/C45
Bearing bracket lantern DPAF seal plate, asbestos-free
Casing wear ring Grey cast iron GG / cast iron

Motor data

Power uptake 47,1 kW
Rated power 45 kW
Speed 1.500 1/min
Rated voltage 400 V
Rated current 99,3 A
Degree of protection IP55

Product information

Ident. No./ type key 05131943
Weight loaded 561,3 kg
Gross price 51.990,14 EUR
PL 2025-01-20
Price group V3



Data sheet: performance curve

Project name
Project ID

Item-No.
Design Close-coupled pumps
Type / Coding Etabloc PumpDrive 100-080-400/4504 GB

Customer
Contact
E-mail
Phone

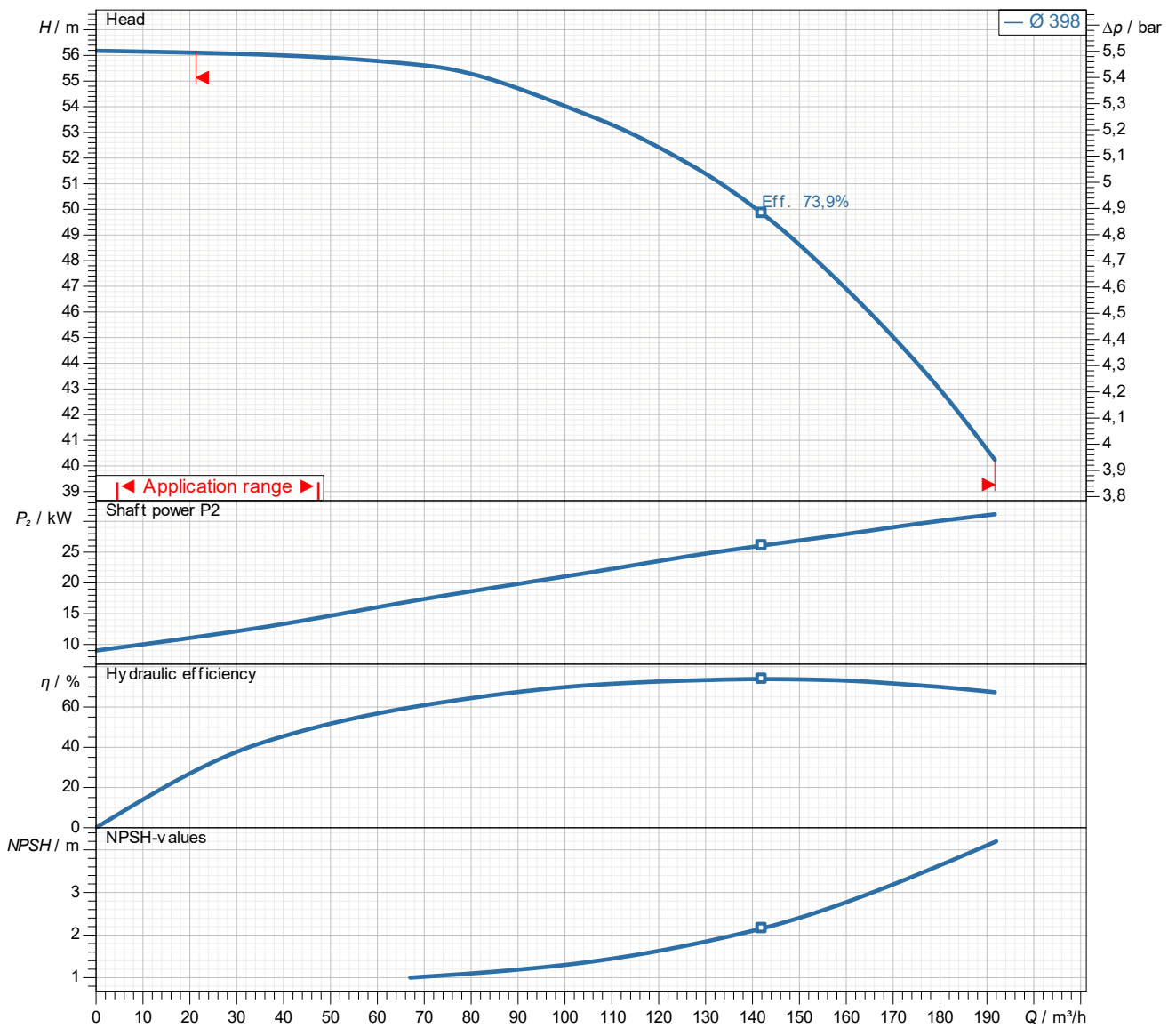
Company
Contact
E-mail
Phone

2025-01-20

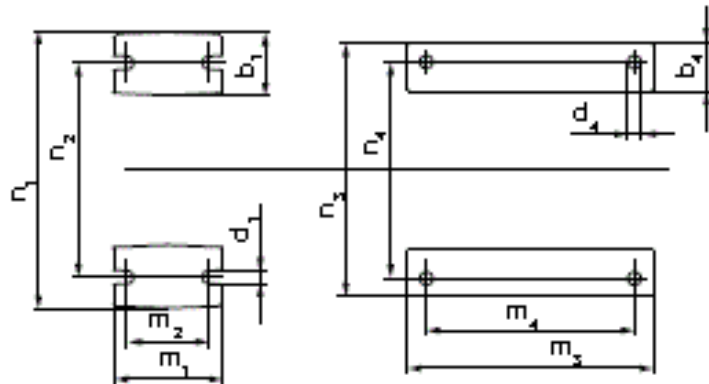
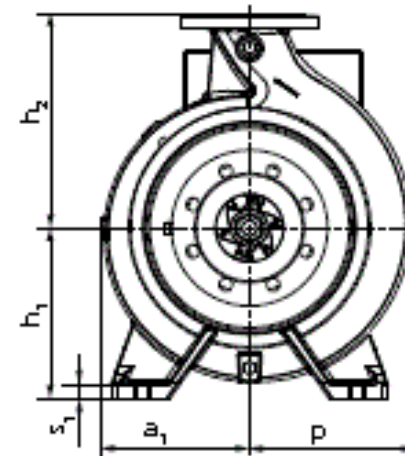
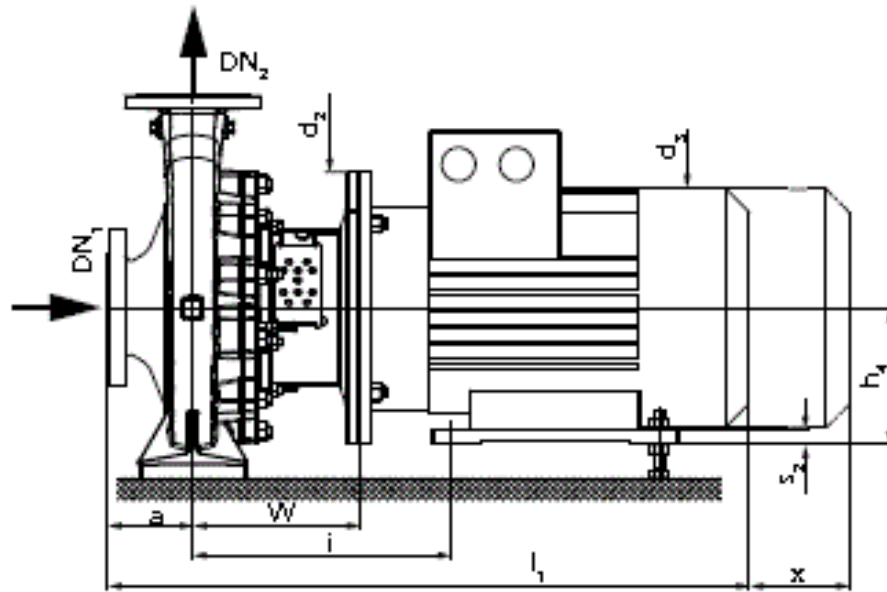
Page 7 / 8

Performance curve

Etabloc PumpDrive 100-080-400/4504 GB



Density 998,3 kg/m³
Viscosity 1,005 mm²/s



Name	Wert	Name	Wert
a	125 mm	n2	355 mm
a1	257 mm	p	280 mm
b1	80 mm	s1	20 mm
d1	19 mm	x	140 mm
DN1	100 mm		
DN2	80 mm		
h1	380 mm		
h2	355 mm		
m1	160 mm		
m2	120 mm		
n1	435 mm		