

**Tender text**

**Project name**  
**Project ID**

**Customer**  
Contact  
E-mail  
Phone

**Company**  
Contact  
E-mail  
Phone

2025-01-20

Page 1 / 8

Pos.no	Description	Item no.
	<b>Close-coupled pumps</b>	
	Etabloc PumpDrive 050-032-250.1/7,54 CC	05132731

**Etabloc PumpDrive**

Horizontal single-stage  
volute casing pump in close-coupled design, with ratings to EN 733.  
Axial suction nozzle, discharge nozzle pointing radially upwards.  
Shaft fitted with a replaceable shaft sleeve in the shaft seal area.  
Volute casing and casing cover with replaceable casing wear rings.  
Volute casing with integrally cast pump feet for variants B, C and S.  
Impeller matched to the operating point for saving energy.

**PumpDrive 2 frequency**

inverter  
Self-cooling frequency inverter is mounted directly on the motor.  
Controlled by integrated PI controller. Controlled variables are  
pressure, differential pressure, flow rate, temperature. Display and  
setting of all operating parameters via a control unit with graphical  
display. Setpoint adjustment or control via external standard signal  
or via the control unit. Protective function for drive and pump. Pump  
and drive parameters pre-set at the factory.

Design:

Mains voltage	: 3~ 380 V AC -10 % to 480 V AC +10 %
Mains frequency	: 50 - 60 Hz ± 2 %
Internal power supply unit	: 24 V ± 10 %, max. 600 mA DC
Enclosure	: IP55 (to EN 60529)
Ambient temperature	: -10 °C to +50 °C
Relative humidity in operation	: 5 % to 85 %, non-condensing
Service interface	: optical
Analog input	: 2 x 0/2 - 10 V or 0/4 - 20 mA
Analog output	: 1 x 0 - 10 V or 4 - 20 mA



**Tender text**

**Project name**  
**Project ID**

**Customer**  
 Contact  
 E-mail  
 Phone

**Company**  
 Contact  
 E-mail  
 Phone

2025-01-20

Page 2 / 8

Pos.no	Description	Item no.	Qty.	UP / EUR	TP / EUR
	Digital input	: 1 x hardware enable input, 5 x parameterisable			
	Relay output	: 2 changeover contacts, parameterisable			
	Bus systems (optional)	: Modbus RTU, Profibus DP, LON, BACnet MS/TP, Profinet			
<b>Operating data</b>					
	Water	Fluid handled	:		
		Flow rate	:		
		Head	:		
	20,00 °C	Fluid temperature	:		
	temperature	Permissible fluid			
	0 bis +110	(min./max.)	:		
	pressure	Maximum operating			
	: ≤ 16 bar	Ambient temperature: -			
	10 to +50°C	(min./max.)			
<b>Motor/electronics</b>					
	≥ 0,4	MEI value	:		
	0,75 kW	Motor rating	:		
		Max. rated current	:		



**Tender text**

**Project name**  
**Project ID**

**Customer**  
 Contact  
 E-mail  
 Phone

**Company**  
 Contact  
 E-mail  
 Phone

2025-01-20

Page 3 / 8

Pos.no	Description	Item no.	Qty.	UP / EUR	TP / EUR
	2 A				
	500 1/min ... 1.800 1/min	Speed	:		
	3 x 380 V AC - 15 % to 480 V AC +10 %	Power supply	:		
	80M	Motor size	:		
	: IE5	Energy efficiency class			
	IP55	Enclosure	:		
	KSB-Standard	Motor make	:		
		<b>Materials</b>			
	CrNiMo steel 1.4408	Pump casing (102)	:		
	CrNiMo steel 1.4408	Impeller (230)	:		
	A4/ AISI 316	Pump shaft (210)	:		
	CrNiMo steel 1.4571	Casing cover (161)	:		
	suction side (502.01): A4/ AISI 316	Casing wear ring,			
	discharge side (502.02): A4-70/ A193 Gr. B8M CL2	Casing wear ring,			
	Single mechanical seal with vented chamber (A-type cover)	Shaft seal type	:		



**Tender text**

**Project name**  
**Project ID**

**Customer**  
Contact  
E-mail  
Phone

**Company**  
Contact  
E-mail  
Phone

2025-01-20

Page 4 / 8

---

Pos.no	Description	Item no.	Qty.	UP / EUR	TP / EUR
	:10 = Q1Q1X4GG				
		Shaft seal material			
	<b>connections</b>	<b>Dimensions and</b>			
	discharge nozzle DN2 : DN 32	Nominal size of			
	suction nozzle DN1 : DN 50	Nominal diameter of			
	suction side : 16	Nominal pressure,			
	discharge side : 16	Nominal pressure,			
	<b>information</b>	<b>Purchase order</b>			
	76,33 kg	Approx. net weight :			
	KSB	Make :			
	Etabloc PumpDrive 050-032-250.1/7,54 CC	Type :			
	V3	Material price group :			
	05132731	<b>Material number</b> :			



**Tender text**

**Project name**  
**Project ID**

**Customer**  
Contact  
E-mail  
Phone

**Company**  
Contact  
E-mail  
Phone

2025-01-20

Page 5 / 8

---

<b>Pos.no</b>	<b>Description</b>	<b>Item no.</b>	<b>Qty.</b>	<b>UP / EUR</b>	<b>TP / EUR</b>
	Frequency controller: PumpDrive2		1		

---

**Data sheet: technical data**

**Project name**  
**Project ID**

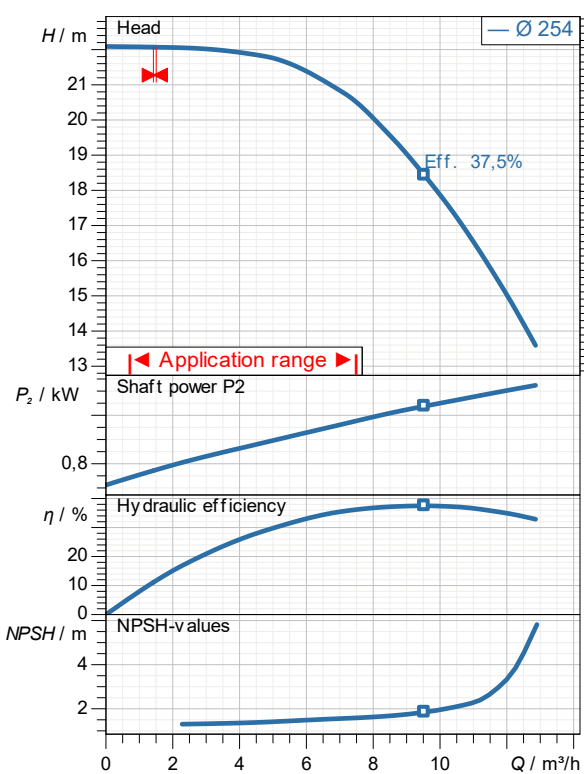
**Item-No.**  
**Design** Close-coupled pumps  
**Type / Coding** Etabloc PumpDrive 050-032-250.1/7,54 CC

**Customer**  
Contact  
E-mail  
Phone

**Company**  
Contact  
E-mail  
Phone

2025-01-20

Page 6 / 8



**demand data**

Flow  
Head  
Geodetic head  
Media Water  
Liquid temperature  $20\text{ }^\circ\text{C}$   
Concentration 100 %

**Pump data**

Make KSB  
Type Etabloc PumpDrive 050-032-250.1/7,54 CC  
Design Close-coupled pumps  
Specific design Single head pump  
Max. fluid temperature

**Hydraulic data (Duty point)**

Flow  
Head  
Efficiency  
Minimum Efficiency Index  $\geq 0,4$

**Material / sealing element**

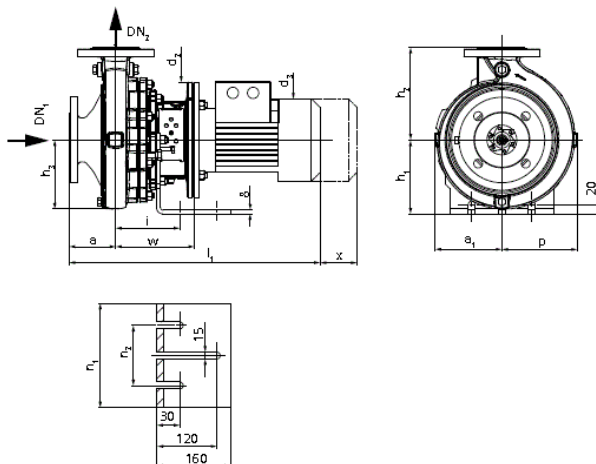
Volute casing CrNiMo steel 1.4408  
Shaft CrNiMo steel 1.4571  
Impeller CrNiMo steel 1.4408  
Impeller nut A4/ AISI 316  
Screw plug A4/ AISI 316  
Stud A4-70/ A 193 Gr. B8M CL2

**Motor data**

Power uptake 0,882 kW  
Rated power 0,75 kW  
Speed 1.500 1/min  
Rated voltage 400 V  
Rated current 2 A  
Degree of protection IP55

**Product information**

Ident. No./ type key 05132731  
Weight loaded 76,33 kg  
Gross price 23.838,04 EUR  
PL 2025-01-20  
Price group V3



**Data sheet: performance curve**

**Project name**  
**Project ID**

**Item-No.**  
**Design** Close-coupled pumps  
**Type / Coding** Etabloc Pump Drive 050-032-250.1/7,54 CC

**Customer**  
Contact  
E-mail  
Phone

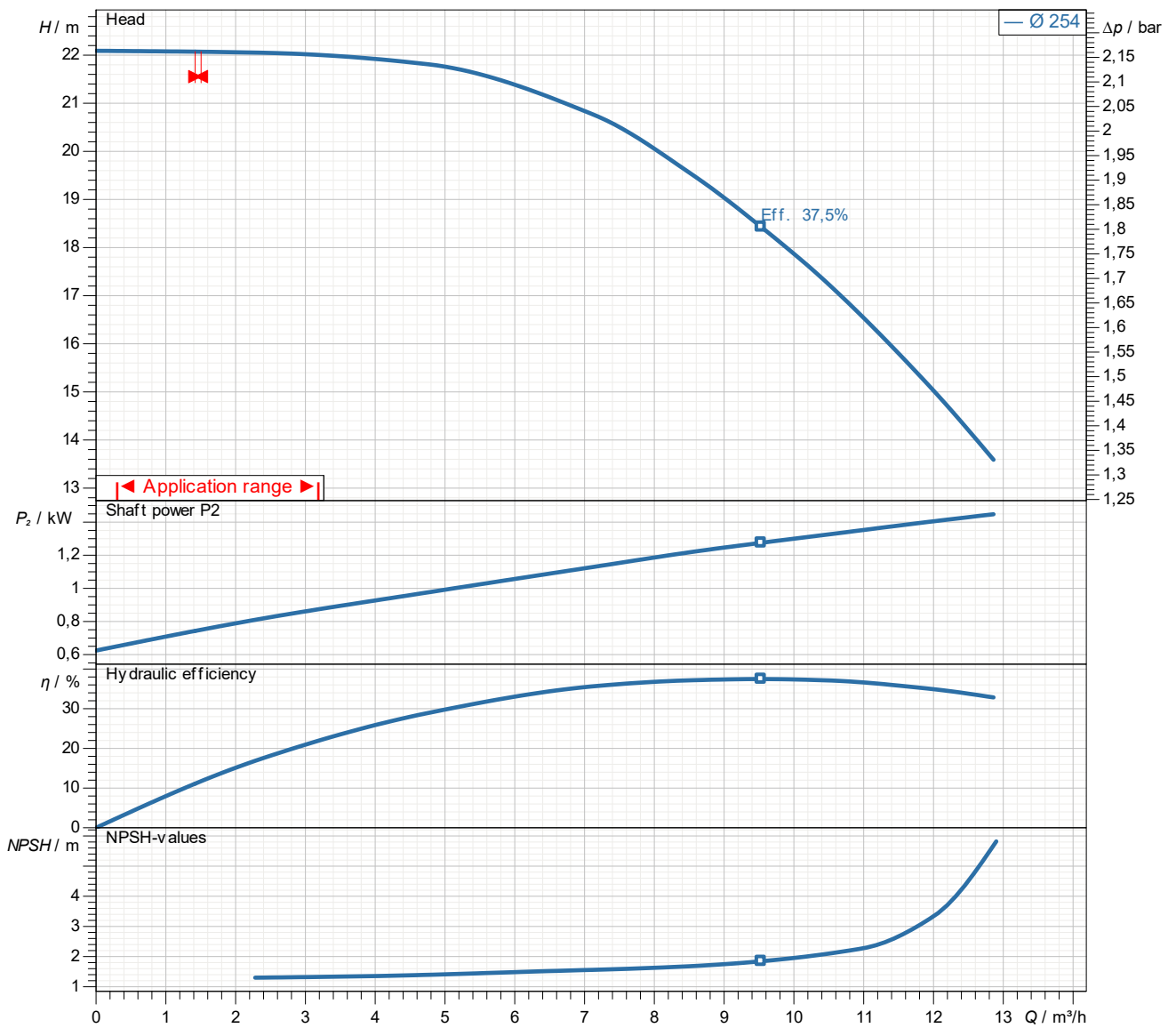
**Company**  
Contact  
E-mail  
Phone

2025-01-20

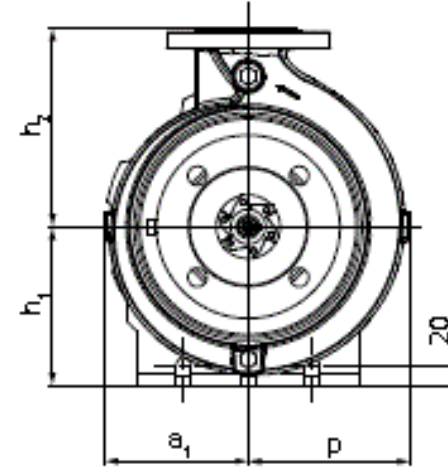
Page 7 / 8

**Performance curve**

**Etabloc Pump Drive 050-032-250.1/7,54 CC**



Density 998,3 kg/m<sup>3</sup>  
Viscosity 1,005 mm<sup>2</sup>/s



Name	Wert	Name	Wert
a	100 mm		
a1	168 mm		
DN1	50 mm		
DN2	32 mm		
h1	160 mm		
h2	225 mm		
h3	166 mm		
n1	225 mm		
n2	130 mm		
p	168 mm		
x	100 mm		