

Tender text

Project name
Project ID

Customer
 Contact
 E-mail
 Phone

Company
 Contact
 E-mail
 Phone

2025-01-20

Page 1 / 8

Pos.no	Description	Item no.
	Close-coupled pumps	
	Etabloc PumpDrive 065-040-125/7,54 CC	05132737

Etabloc PumpDrive

Horizontal single-stage
 volute casing pump in close-coupled design, with ratings to EN 733.
 Axial suction nozzle, discharge nozzle pointing radially upwards.
 Shaft fitted with a replaceable shaft sleeve in the shaft seal area.
 Volute casing and casing cover with replaceable casing wear rings.
 Volute casing with integrally cast pump feet for variants B, C and S.
 Impeller matched to the operating point for saving energy.

PumpDrive 2 Eco

frequency inverter
 Self-cooling frequency inverter is mounted directly on the motor.
 Controlled by integrated PI controller. Controlled variables are
 pressure, differential pressure, flow rate, temperature. Display and
 setting of all operating parameters via a control unit with graphical
 display. Set point adjustment or control via external standard signal
 or via the control unit. Protective function for drive and pump. Pump
 and drive parameters pre-set at the factory.

Design	
Mains voltage	: 3~ 380 V AC -10 % to 480 V AC +10 %
Mains frequency	: 50 - 60 Hz ± 2 %
Internal power supply unit	: 24 V ± 10 %, max. 600 mA DC
Enclosure	: IP55 (to EN 60529)
Ambient temperature	: -10 °C to +50 °C
Relative humidity in operation	: 5 % to 85 %, non-condensing
Service interface	: optical
Analog input	: 2 x 0/2 - 10 V or 0/4 - 20 mA
Analog output	: 1 x 0 - 10 V or 4 - 20 mA

Tender text

Project name
Project ID

Customer
 Contact
 E-mail
 Phone

Company
 Contact
 E-mail
 Phone

2025-01-20

Page 2 / 8

Pos.no	Description	Item no.	Qty.	UP / EUR	TP / EUR
	Digital input	: 1 x, hardware enable input, 3 x parameterisable			
	Relay output	: 2 x NO contact, parameterisable			
	Operating data				
	Water		Fluid handled	:	
			Flow rate	:	
			Head	:	
	20,00 °C		Fluid temperature	:	
	temperature		Permissible fluid		
	0 bis +110		(min./max.)	:	
	pressure	: ≤ 16 bar	Maximum operating		
	10 to +50°C		Ambient temperature: -		
			(min./max.)		
			Motor/electronics		
	≥ 0,4		MEI value	:	
	0,75 kW		Motor rating	:	
	2 A		Max. rated current	:	



Tender text

Project name

Project ID

Customer

Contact

E-mail

Phone

Company

Contact

E-mail

Phone

2025-01-20

Page 3 / 8

Pos.no	Description	Item no.	Qty.	UP / EUR	TP / EUR
	725 1/min ... 1.450 1/min	Speed	:		
	3 x 380 V AC - 15 % to 480 V AC +10 %	Power supply	:		
	80M	Motor size	:		
	: IE5	Energy efficiency class			
	IP55	Enclosure	:		
	KSB-Standard	Motor make	:		
		Materials			
	CrNiMo steel 1.4408	Pump casing (102)	:		
	CrNiMo steel 1.4408	Impeller (230)	:		
	A4/ AISI 316	Pump shaft (210)	:		
	CrNiMo steel 1.4571	Casing cover (161)	:		
	suction side (502.01): A4/ AISI 316	Casing wear ring,			
	discharge side (502.02): A4-70/ A193 Gr. B8M CL2	Casing wear ring,			
	Single mechanical seal with vented chamber (A-type cover)	Shaft seal type	:		
		Shaft seal material			



Tender text

Project name
Project ID

Customer
Contact
E-mail
Phone

Company
Contact
E-mail
Phone

2025-01-20

Page 4 / 8

Pos.no	Description	Item no.	Qty.	UP / EUR	TP / EUR
	:10 = Q1Q1X4GG				
	connections	Dimensions and			
	discharge nozzle DN2 : DN 40	Nominal size of			
	suction nozzle DN1 : DN 65	Nominal diameter of			
	suction side : 16	Nominal pressure,			
	discharge side : 16	Nominal pressure,			
	information	Purchase order			
	52,65 kg	Approx. net weight :			
	KSB	Make :			
	Etabloc PumpDrive 065-040-125/7,54 CC	Type :			
	V3	Material price group :			
	05132737	Material number :			



Tender text

Project name
Project ID

Customer
Contact
E-mail
Phone

Company
Contact
E-mail
Phone

2025-01-20

Page 5 / 8

Pos.no	Description	Item no.	Qty.	UP / EUR	TP / EUR
	Frequency controller: PumpDrive2 Eco		1		

Data sheet: technical data

Project name
Project ID

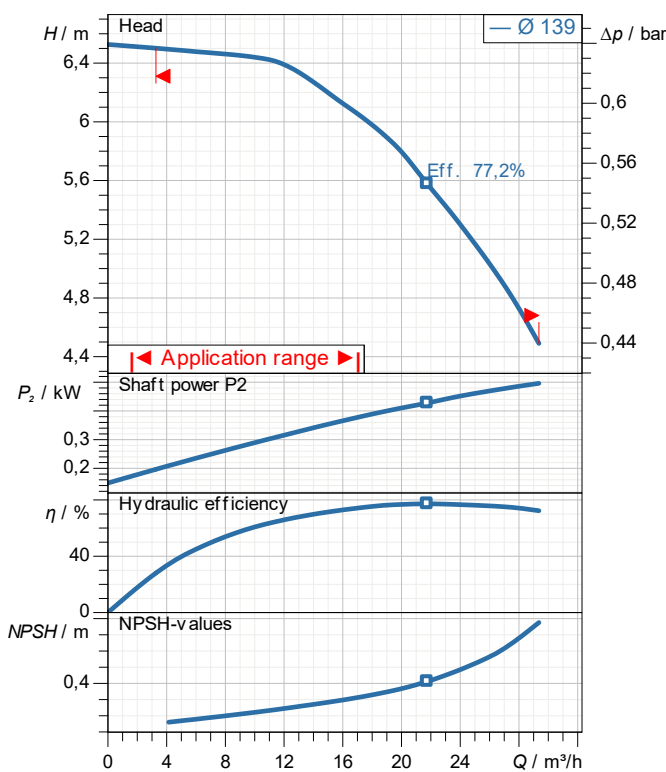
Item-No.
Design Close-coupled pumps
Type / Coding Etabloc PumpDrive 065-040-125/7,54 CC

Customer
Contact
E-mail
Phone

Company
Contact
E-mail
Phone

2025-01-20

Page 6 / 8



demand data

Flow
Head
Geodetic head
Media Water
Liquid temperature 20 °C
Concentration 100 %

Pump data

Make KSB
Type Etabloc PumpDrive 065-040-125/7,54 CC
Design Close-coupled pumps
Specific design Single head pump
Max. fluid temperature

Hydraulic data (Duty point)

Flow
Head
Efficiency
Minimum Efficiency Index $\geq 0,4$

Material / sealing element

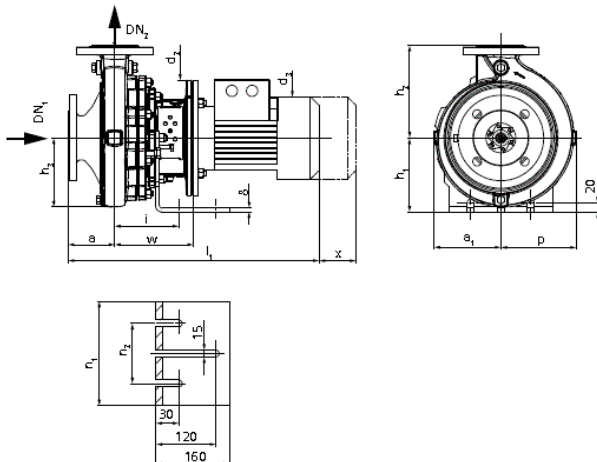
Volute casing CrNiMo steel 1.4408
Shaft CrNiMo steel 1.4571
Impeller CrNiMo steel 1.4408
Impeller nut A4/ AISI 316
Screw plug A4/ AISI 316
Stud A4-70/ A 193 Gr. B8M CL2

Motor data

Power uptake 0,882 kW
Rated power 0,75 kW
Speed 1.500 1/min
Rated voltage 400 V
Rated current 2 A
Degree of protection IP55

Product information

Ident. No./ type key 05132737
Weight loaded 52,65 kg
Gross price 18.299,34 EUR
PL 2025-01-20
Price group V3



Data sheet: performance curve

Project name
Project ID

Item-No.
Design Close-coupled pumps
Type / Coding Etabloc PumpDrive 065-040-125/7,54 CC

Customer
Contact
E-mail
Phone

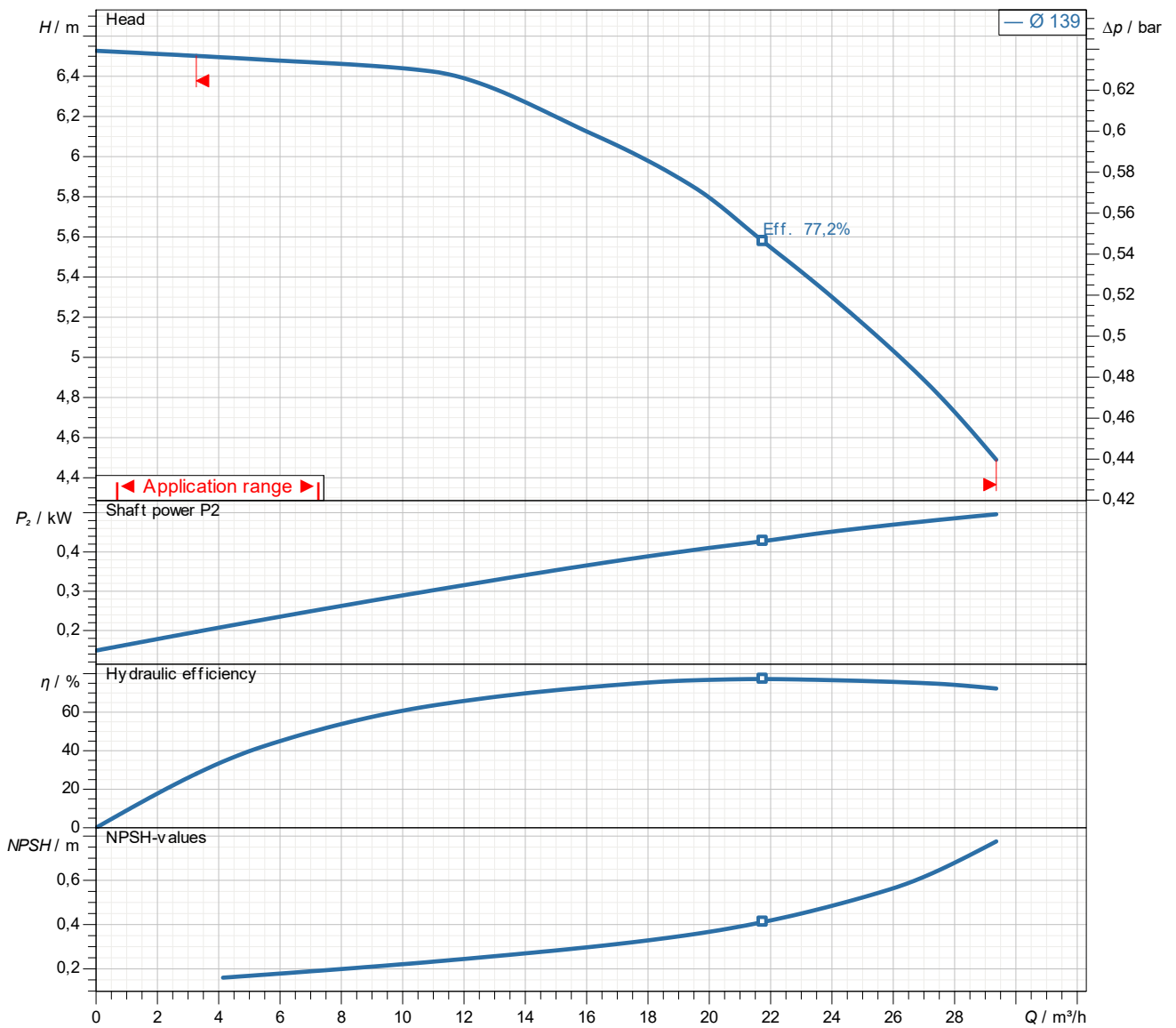
Company
Contact
E-mail
Phone

2025-01-20

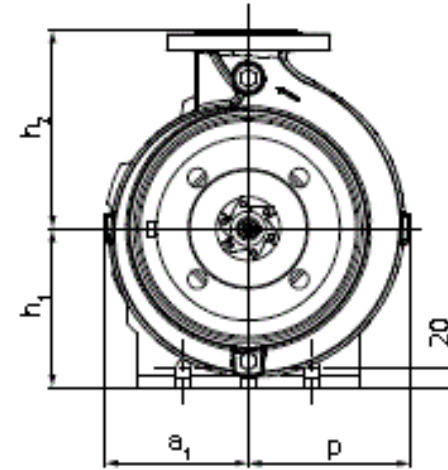
Page 7 / 8

Performance curve

Etabloc PumpDrive 065-040-125/7,54 CC



Density 998,3 kg/m³
Viscosity 1,005 mm²/s



Name	Wert	Name	Wert
a	80 mm	x	100 mm
a1	117 mm		
DN1	65 mm		
DN2	40 mm		
h1	160 mm		
h2	140 mm		
h3	107 mm		
i	118 mm		
n1	225 mm		
n2	130 mm		
p	117 mm		