

Tender text

Project name
Project ID

Customer
Contact
E-mail
Phone

Company
Contact
E-mail
Phone

2025-01-20

Page 1 / 8

Pos.no	Description	Item no.
	Close-coupled pumps	
	Etabloc PumpDrive 065-040-315/404 CC	05132782

Etabloc PumpDrive

Horizontal single-stage volute casing pump in close-coupled design, with ratings to EN 733. Axial suction nozzle, discharge nozzle pointing radially upwards. Shaft fitted with a replaceable shaft sleeve in the shaft seal area. Volute casing and casing cover with replaceable casing wear rings. Volute casing with integrally cast pump feet for variants B, C and S. Impeller matched to the operating point for saving energy.

PumpDrive 2 frequency

inverter
Self-cooling frequency inverter is mounted directly on the motor. Controlled by integrated PI controller. Controlled variables are pressure, differential pressure, flow rate, temperature. Display and setting of all operating parameters via a control unit with graphical display. Setpoint adjustment or control via external standard signal or via the control unit. Protective function for drive and pump. Pump and drive parameters pre-set at the factory.

Design:

Mains voltage	: 3~ 380 V AC -10 % to 480 V AC +10 %
Mains frequency	: 50 - 60 Hz ± 2 %
Internal power supply unit	: 24 V ± 10 %, max. 600 mA DC
Enclosure	: IP55 (to EN 60529)
Ambient temperature	: -10 °C to +50 °C
Relative humidity in operation	: 5 % to 85 %, non-condensing
Service interface	: optical
Analog input	: 2 x 0/2 - 10 V or 0/4 - 20 mA
Analog output	: 1 x 0 - 10 V or 4 - 20 mA



Tender text

Project name
Project ID

Customer
 Contact
 E-mail
 Phone

Company
 Contact
 E-mail
 Phone

2025-01-20

Page 2 / 8

Pos.no	Description	Item no.	Qty.	UP / EUR	TP / EUR
	Digital input	: 1 x hardware enable input, 5 x parameterisable			
	Relay output	: 2 changeover contacts, parameterisable			
	Bus systems (optional)	: Modbus RTU, Profibus DP, LON, BACnet MS/TP, Profinet			
Operating data					
	Water	Fluid handled	:		
		Flow rate	:		
		Head	:		
	20,00 °C	Fluid temperature	:		
	temperature	Permissible fluid			
	0 bis +110	(min./max.)	:		
	pressure	Maximum operating			
	: ≤ 16 bar	Ambient temperature: -			
	10 to +50°C	(min./max.)			
Motor/electronics					
	≥ 0,4	MEI value	:		
	4 kW	Motor rating	:		
		Max. rated current	:		

Tender text

Project name
Project ID

Customer
Contact
E-mail
Phone

Company
Contact
E-mail
Phone

2025-01-20

Page 3 / 8

Pos.no	Description	Item no.	Qty.	UP / EUR	TP / EUR
	9,6 A				
	500 1/min ... 1.800 1/min	Speed	:		
	3 x 380 V AC - 15 % to 480 V AC +10 %	Power supply	:		
	112M	Motor size	:		
	: IE5	Energy efficiency class			
	IP55	Enclosure	:		
	KSB-Standard	Motor make	:		
		Materials			
	CrNiMo steel 1.4408	Pump casing (102)	:		
	CrNiMo steel 1.4408	Impeller (230)	:		
	A4/ AISI 316	Pump shaft (210)	:		
	CrNiMo steel 1.4571	Casing cover (161)	:		
	suction side (502.01): A4/ AISI 316	Casing wear ring,			
	discharge side (502.02): A4-70/ A193 Gr. B8M CL2	Casing wear ring,			
	Single mechanical seal with vented chamber (A-type cover)	Shaft seal type	:		



Tender text

Project name
Project ID

Customer
Contact
E-mail
Phone

Company
Contact
E-mail
Phone

2025-01-20

Page 5 / 8

Pos.no	Description	Item no.	Qty.	UP / EUR	TP / EUR
	Frequency controller: PumpDrive2		1		

Data sheet: technical data

Project name
Project ID

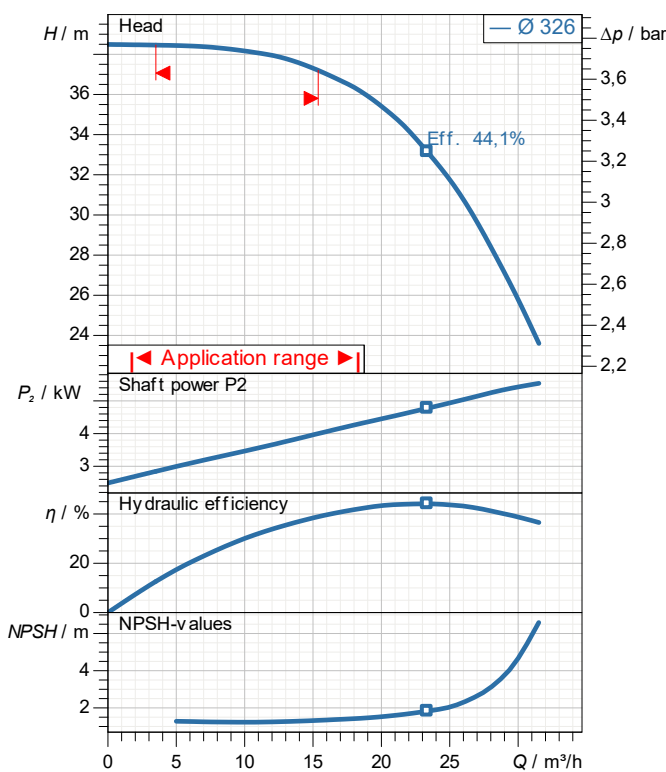
Item-No.
Design Close-coupled pumps
Type / Coding Etabloc PumpDrive 065-040-315/404 CC

Customer
Contact
E-mail
Phone

Company
Contact
E-mail
Phone

2025-01-20

Page 6 / 8



demand data

Flow
Head
Geodetic head
Media Water
Liquid temperature 20 °C
Concentration 100 %

Pump data

Make KSB
Type Etabloc PumpDrive 065-040-315/404 CC
Design Close-coupled pumps
Specific design Single head pump
Max. fluid temperature

Hydraulic data (Duty point)

Flow
Head
Efficiency
Minimum Efficiency Index $\geq 0,4$

Material / sealing element

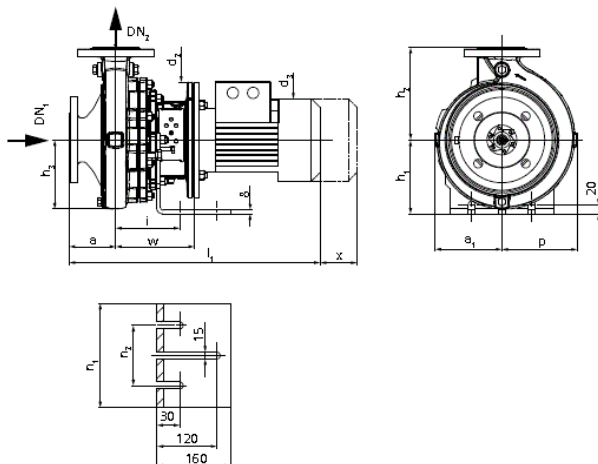
Volute casing CrNiMo steel 1.4408
Shaft CrNiMo steel 1.4571
Impeller CrNiMo steel 1.4408
Impeller nut A4/ AISI 316
Screw plug A4/ AISI 316
Stud A4-70/ A 193 Gr. B8M CL2

Motor data

Power uptake 4,39 kW
Rated power 4 kW
Speed 1.500 1/min
Rated voltage 400 V
Rated current 9,6 A
Degree of protection IP55

Product information

Ident. No./ type key 05132782
Weight loaded 130,2 kg
Gross price 30.892,90 EUR
PL 2025-01-20
Price group V3



Data sheet: performance curve

Project name
Project ID

Item-No.
Design Close-coupled pumps
Type / Coding Etabloc PumpDrive 065-040-315/404 CC

Customer
Contact
E-mail
Phone

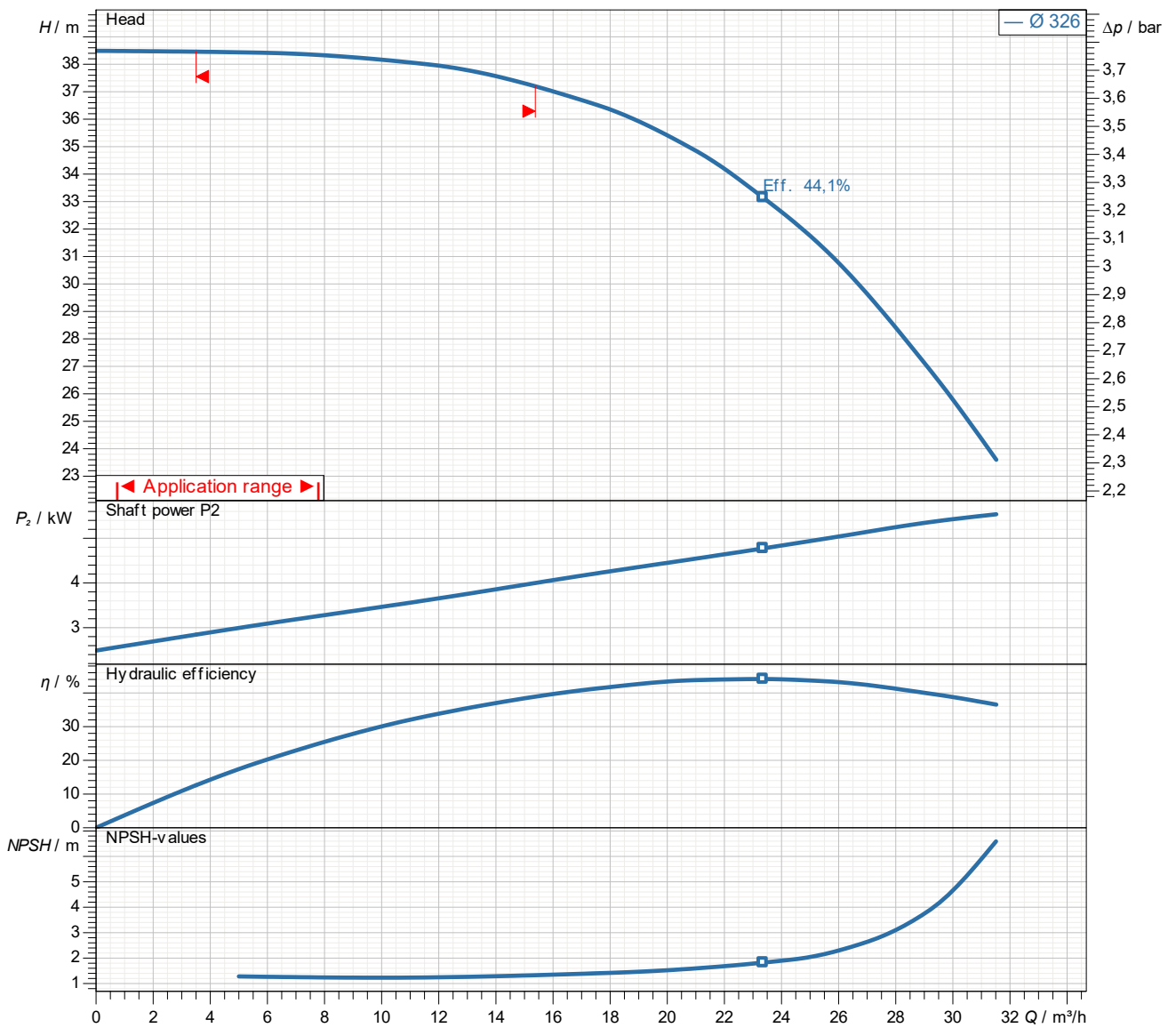
Company
Contact
E-mail
Phone

2025-01-20

Page 7 / 8

Performance curve

Etabloc PumpDrive 065-040-315/404 CC



Density 998,3 kg/m³
Viscosity 1,005 mm²/s



Name	Wert	Name	Wert
a	125 mm	n1	260 mm
a1	207 mm	n2	180 mm
d2	142 mm	p	207 mm
d3	235 mm	w	190 mm
DN1	65 mm	x	100 mm
DN2	40 mm		
h1	180 mm		
h2	250 mm		
h3	204 mm		
i	142 mm		
l1	687 mm		