

**Tender text**

**Project name**  
**Project ID**

**Customer**  
Contact  
E-mail  
Phone

**Company**  
Contact  
E-mail  
Phone

2025-01-20

Page 1 / 8

| Pos.no | Description                              | Item no. |
|--------|--|----------|
|        | <b>Close-coupled pumps</b>               |          |
|        | Etabloc PumpDrive 100-080-200/1104<br>CC | 05132905 |

**Etabloc PumpDrive**

Horizontal single-stage volute casing pump in close-coupled design, with ratings to EN 733. Axial suction nozzle, discharge nozzle pointing radially upwards. Shaft fitted with a replaceable shaft sleeve in the shaft seal area. Volute casing and casing cover with replaceable casing wear rings. Volute casing with integrally cast pump feet for variants B, C and S. Impeller matched to the operating point for saving energy.

**PumpDrive 2 frequency**

inverter  
Self-cooling frequency inverter is mounted directly on the motor. Controlled by integrated PI controller. Controlled variables are pressure, differential pressure, flow rate, temperature. Display and setting of all operating parameters via a control unit with graphical display. Setpoint adjustment or control via external standard signal or via the control unit. Protective function for drive and pump. Pump and drive parameters pre-set at the factory.

Design:

|                                |  |
|--------------------------------|--|
| Mains voltage                  | : 3~ 380 V AC -10 %<br>to 480 V AC +10 % |
| Mains frequency                | : 50 - 60 Hz ± 2 %                       |
| Internal power supply unit     | : 24 V ± 10 %, max.<br>600 mA DC         |
| Enclosure                      | : IP55 (to EN 60529)                     |
| Ambient temperature            | : -10 °C to +50 °C                       |
| Relative humidity in operation | : 5 % to 85 %, non-condensing            |
| Service interface              | : optical                                |
| Analog input                   | : 2 x 0/2 - 10 V or 0/4 - 20 mA          |
| Analog output                  | : 1 x 0 - 10 V or 4 - 20 mA              |



### Tender text

**Project name**  
**Project ID**

**Customer**  
Contact  
E-mail  
Phone

**Company**  
Contact  
E-mail  
Phone

2025-01-20

Page 2 / 8

---

| Pos.no | Description            | Item no.  | Qty.                     | UP / EUR | TP / EUR |
|--------|------------------------|---|--------------------------|----------|----------|
|        | Digital input          | : 1 x hardware enable input,<br>5 x parameterisable       |                          |          |          |
|        | Relay output           | : 2 changeover contacts,<br>parameterisable               |                          |          |          |
|        | Bus systems (optional) | : Modbus RTU, Profibus DP,<br>LON, BACnet MS/TP, Profinet |                          |          |          |
|        | <b>Operating data</b>  |   |                          |          |          |
|        | Water                  |   | Fluid handled            | :        |          |
|        |                        |   | Flow rate                | :        |          |
|        |                        |   | Head                     | :        |          |
|        | 20,00 °C               |   | Fluid temperature        | :        |          |
|        | temperature            |   | Permissible fluid        |          |          |
|        | 0 bis +110             |   | (min./max.)              | :        |          |
|        | pressure               | : ≤ 16 bar  | Maximum operating        |          |          |
|        | 10 to +50°C            |   | Ambient temperature: -   |          |          |
|        |                        |   | (min./max.)              |          |          |
|        |                        |   | <b>Motor/electronics</b> |          |          |
|        | ≥ 0,4                  |   | MEI value                | :        |          |
|        | 11 kW                  |   | Motor rating             | :        |          |
|        |                        |   | Max. rated current       | :        |          |

**Tender text**

**Project name**  
**Project ID**

**Customer**  
Contact  
E-mail  
Phone

**Company**  
Contact  
E-mail  
Phone

2025-01-20

Page 3 / 8

| Pos.no | Description   | Item no.                | Qty. | UP / EUR | TP / EUR |
|--------|---|-------------------------|------|----------|----------|
|        | 24,2 A  |                         |      |          |          |
|        | 500 1/min ... 1.800 1/min                                 | Speed                   | :    |          |          |
|        | 3 x 380 V AC - 15 % to 480 V AC +10 %                     | Power supply            | :    |          |          |
|        | 160M  | Motor size              | :    |          |          |
|        | : IE5   | Energy efficiency class |      |          |          |
|        | IP55  | Enclosure               | :    |          |          |
|        | KSB-Standard  | Motor make              | :    |          |          |
|        |   | <b>Materials</b>        |      |          |          |
|        | CrNiMo steel 1.4408                                       | Pump casing (102)       | :    |          |          |
|        | CrNiMo steel 1.4408                                       | Impeller (230)          | :    |          |          |
|        | A4/ AISI 316  | Pump shaft (210)        | :    |          |          |
|        | CrNiMo steel 1.4571                                       | Casing cover (161)      | :    |          |          |
|        | suction side (502.01): A4/ AISI 316                       | Casing wear ring,       |      |          |          |
|        | discharge side (502.02): A4-70/ A193 Gr. B8M CL2          | Casing wear ring,       |      |          |          |
|        | Single mechanical seal with vented chamber (A-type cover) | Shaft seal type         | :    |          |          |





**Tender text**

**Project name**  
**Project ID**

**Customer**  
Contact  
E-mail  
Phone

**Company**  
Contact  
E-mail  
Phone

2025-01-20

Page 5 / 8

---

| <b>Pos.no</b> | <b>Description</b>               | <b>Item no.</b> | <b>Qty.</b> | <b>UP / EUR</b> | <b>TP / EUR</b> |
|---------------|----------------------------------|-----------------|-------------|-----------------|-----------------|
|               | Frequency controller: PumpDrive2 |                 | 1           |                 |                 |

---

**Data sheet: technical data**

**Project name**  
**Project ID**

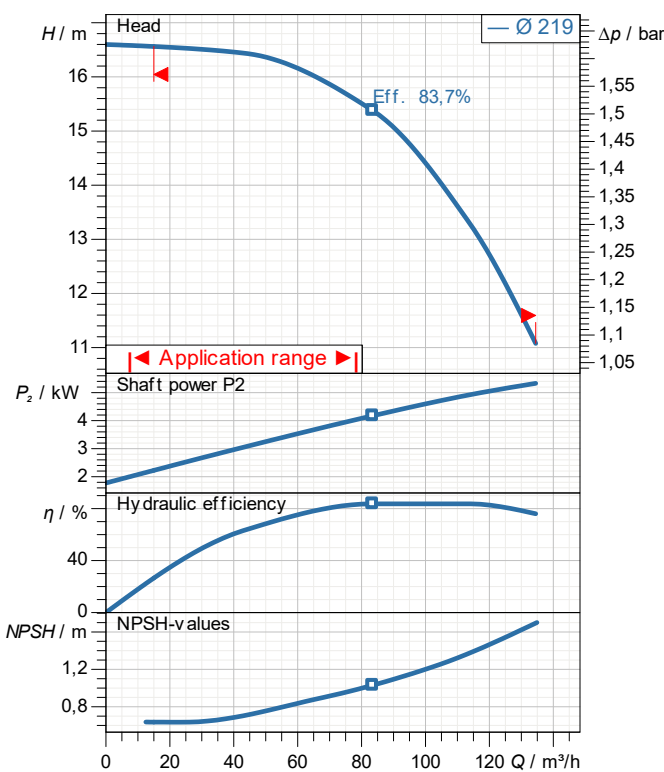
**Item-No.**  
**Design**                   **Close-coupled pumps**  
**Type / Coding**           **Etabloc PumpDrive 100-080-200/1104 CC**

**Customer**  
Contact  
E-mail  
Phone

**Company**  
Contact  
E-mail  
Phone

2025-01-20

Page 6 / 8



**demand data**

Flow  
Head  
Geodetic head  
Media                           Water  
Liquid temperature       20 °C  
Concentration               100 %

**Pump data**

Make                           KSB  
Type                           Etabloc PumpDrive 100-080-200/1104 CC  
Design                       Close-coupled pumps  
Specific design             Single head pump  
Max. fluid temperature

**Hydraulic data (Duty point)**

Flow  
Head  
Efficiency  
Minimum Efficiency Index   ≥ 0,4

**Material / sealing element**

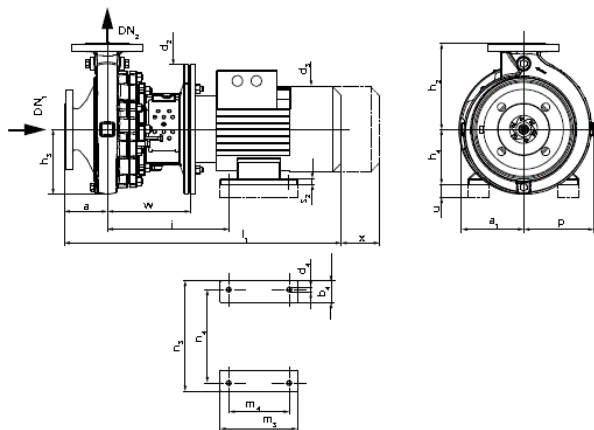
Volute casing               CrNiMo steel 1.4408  
Shaft                           CrNiMo steel 1.4571  
Impeller                      CrNiMo steel 1.4408  
Impeller nut                A4/ AISI 316  
Screw plug                  A4/ AISI 316  
Stud                         A4-70/ A 193 Gr. B8M CL2

**Motor data**

Power uptake               11,8 kW  
Rated power                11 kW  
Speed                         1.500 1/min  
Rated voltage               400 V  
Rated current               24,2 A  
Degree of protection      IP55

**Product information**

Ident. No./ type key       05132905  
Weight loaded              165,4 kg  
Gross price                 34.736,89 EUR  
PL 2025-01-20  
Price group                 V3



**Data sheet: performance curve**

**Project name**  
**Project ID**

**Item-No.**  
**Design** Close-coupled pumps  
**Type / Coding** Etabloc PumpDrive 100-080-200/1104 CC

**Customer**  
Contact  
E-mail  
Phone

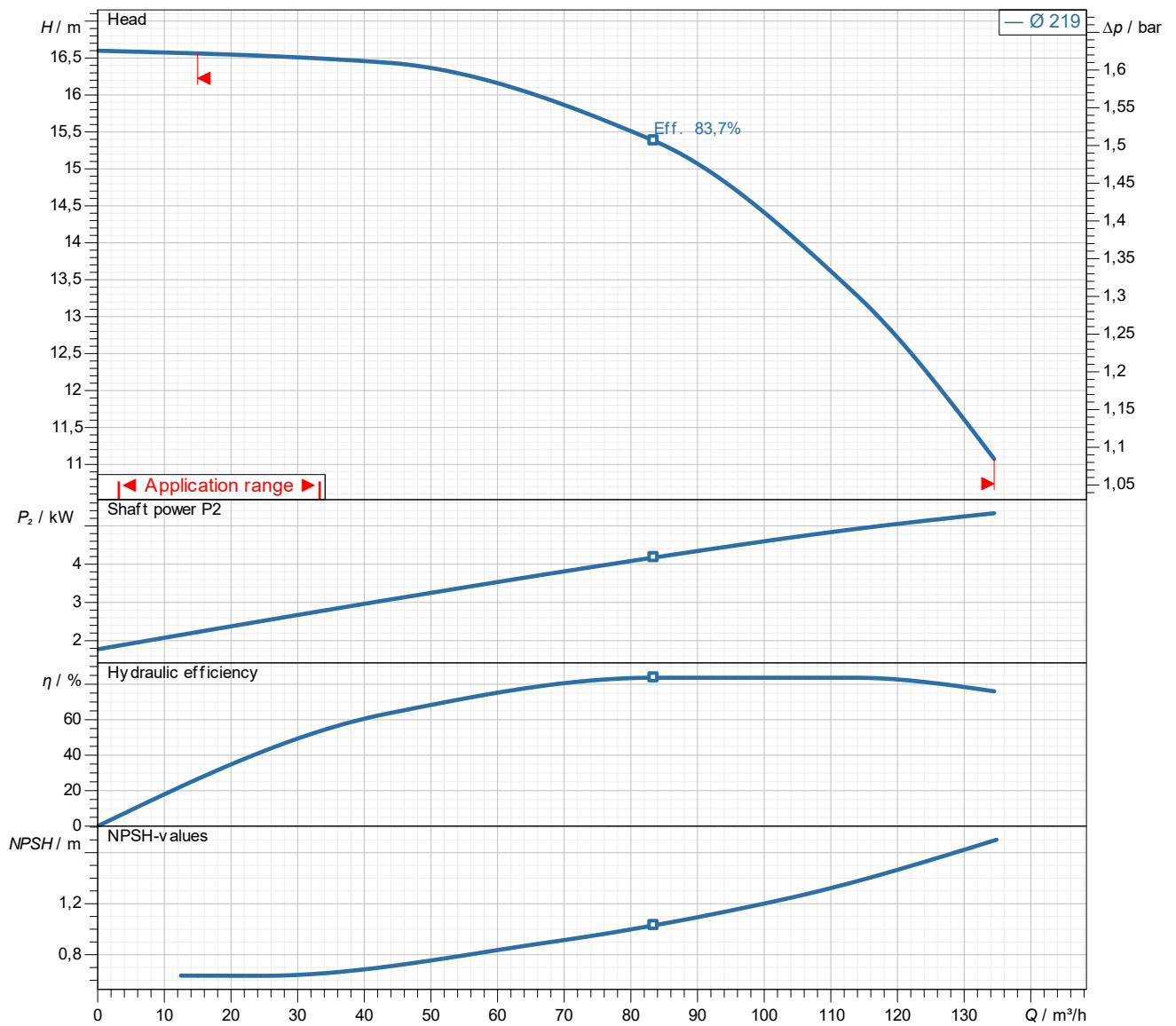
**Company**  
Contact  
E-mail  
Phone

2025-01-20

Page 7 / 8

**Performance curve**

**Etabloc PumpDrive 100-080-200/1104 CC**



Density 998,3 kg/m<sup>3</sup>  
Viscosity 1,005 mm<sup>2</sup>/s

