



**Tender text**

**Project name**  
**Project ID**

**Customer**  
Contact  
E-mail  
Phone

**Company**  
Contact  
E-mail  
Phone

2025-01-20

Page 1 / 7

---

<b>Pos.no</b>	<b>Description</b>	<b>Item no.</b>
	<b>Close-coupled pumps</b>	
	Etabloc 125-100-400/2204 GG	05197852

**Etabloc**

Horizontal single-stage  
volute casing pump in close-coupled design, with ratings to EN 733.  
Axial suction nozzle, discharge nozzle pointing radially upwards.  
Shaft fitted with a replaceable shaft sleeve in the shaft seal area.  
Volute casing and casing cover with replaceable casing wear rings.  
Volute casing with integrally cast pump feet for variants B, C and S.  
Impeller matched to the operating point for saving energy.

**Operating data**

Water	Fluid handled	:
	Flow rate	:
	Head	:
20,00 °C	Fluid temperature	:
temperature	Permissible fluid	
0 bis +110	(min./max.)	:
pressure	Maximum operating	
		: ≤ 16 bar
10 to +50°C	Ambient temperature:	-



**Tender text**

**Project name**  
**Project ID**

**Customer**  
Contact  
E-mail  
Phone

**Company**  
Contact  
E-mail  
Phone

2025-01-20

Page 2 / 7

---

Pos.no	Description	Item no. (min./max.)	Qty.	UP / EUR	TP / EUR
		<b>Motor/electronics</b>			
	≥ 0,4	MEI value	:		
	22 kW	Motor rating	:		
	43,1 A	Max. rated current	:		
	500 1/min ... 1.900 1/min	Speed	:		
	3 x 380 V AC - 15 % to 480 V AC +10 %	Power supply	:		
	180L	Motor size	:		
		Energy efficiency class : IE3 = Premium Efficiency			
	IP55	Enclosure	:		
	KSW - IEC	Motor make	:		
		<b>Materials</b>			
	Grey cast iron JL1040	Pump casing (102)	:		
	Steel/tempered steel E335/C45	Impeller (230)	:		
		Pump shaft (210)	:		



**Tender text**

**Project name**  
**Project ID**

**Customer**  
Contact  
E-mail  
Phone

**Company**  
Contact  
E-mail  
Phone

2025-01-20

Page 3 / 7

Pos.no	Description	Item no.	Qty.	UP / EUR	TP / EUR
	Grey cast iron JL1040				
	Grey cast iron JL1040	Casing cover (161)	:		
	suction side (502.01): DPAF seal plate, asbestos-free	Casing wear ring,			
	discharge side (502.02): Grey cast iron GG / cast iron	Casing wear ring,			
	Single mechanical seal with vented chamber (A-type cover)	Shaft seal type	:		
	:10 = Q1Q1X4GG	Shaft seal material			
	<b>connections</b>	<b>Dimensions and</b>			
	discharge nozzle DN2 : DN 100	Nominal size of			
	suction nozzle DN1 : DN 125	Nominal diameter of			
	suction side : 16	Nominal pressure,			
	discharge side : 16	Nominal pressure,			
	<b>information</b>	<b>Purchase order</b>			
	327,9 kg	Approx. net weight	:		
	KSB	Make	:		



**Tender text**

**Project name**  
**Project ID**

**Customer**  
Contact  
E-mail  
Phone

**Company**  
Contact  
E-mail  
Phone

2025-01-20

Page 4 / 7

---

<b>Pos.no</b>	<b>Description</b>	<b>Item no.</b>	<b>Qty.</b>	<b>UP / EUR</b>	<b>TP / EUR</b>
	Etabloc 125-100-400/2204 GG	Type	:		
	V3	Material price group	:		
	05197852	Material number	:		

---

**Data sheet: technical data**

**Project name**  
**Project ID**

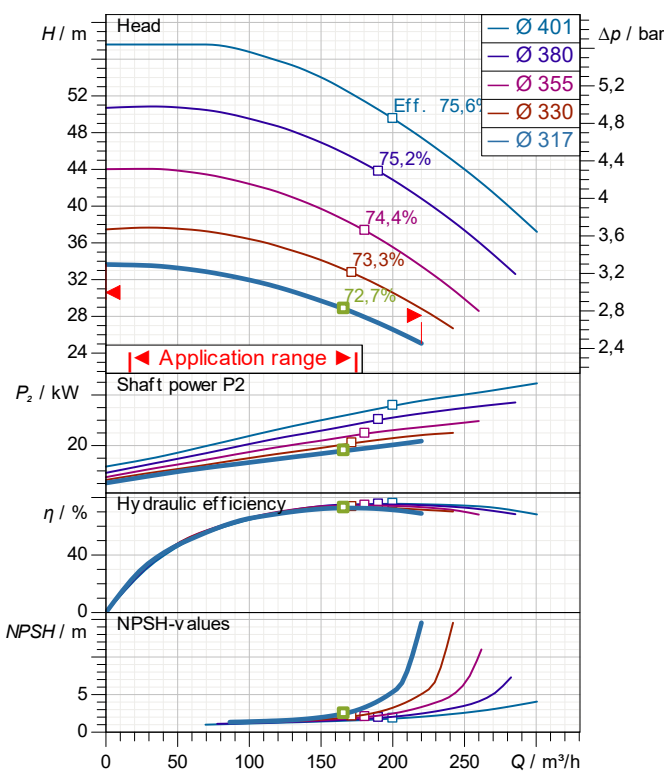
**Item-No.**  
**Design** Close-coupled pumps  
**Type / Coding** Etabloc 125-100-400/2204 GG

**Customer**  
Contact  
E-mail  
Phone

**Company**  
Contact  
E-mail  
Phone

2025-01-20

Page 5 / 7



**demand data**

Flow  
Head  
Geodetic head  
Media Water  
Liquid temperature 20 °C  
Concentration 100 %

**Pump data**

Make KSB  
Type Etabloc 125-100-400/2204 GG  
Design Close-coupled pumps  
Specific design Single head pump  
Max. fluid temperature

**Hydraulic data (Duty point)**

Flow  
Head  
Efficiency  
Minimum Efficiency Index  $\geq 0,4$

**Material / sealing element**

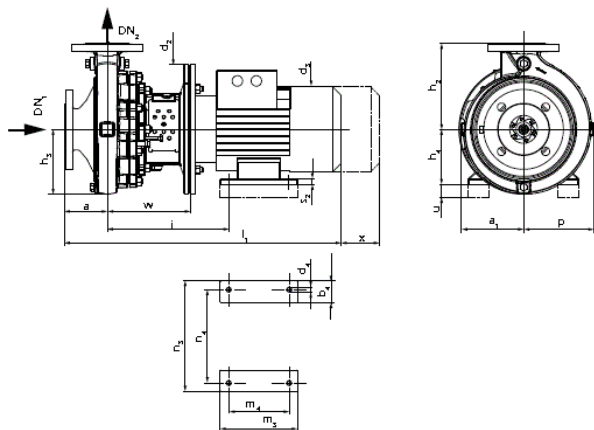
Volute casing Grey cast iron JL1040  
Discharge cover Grey cast iron JL1040  
Shaft Steel/tempered steel E335/C45  
Impeller Grey cast iron JL1040  
Bearing bracket lantern DPAF seal plate, asbestos-free  
Casing wear ring Grey cast iron GG / cast iron

**Motor data**

Power uptake 23,7 kW  
Rated power 22 kW  
Speed 1.470 1/min  
Rated voltage 400 V  
Rated current 43,1 A  
Degree of protection IP55

**Product information**

Ident. No./ type key 05197852  
Weight loaded 327,9 kg  
Gross price 22.309,09 EUR  
PL 2025-01-20  
Price group V3



**Data sheet: performance curve**

**Project name**  
**Project ID**

**Item-No.**  
**Design** Close-coupled pumps  
**Type / Coding** Etabloc 125-100-400/2204 GG

**Customer**  
Contact  
E-mail  
Phone

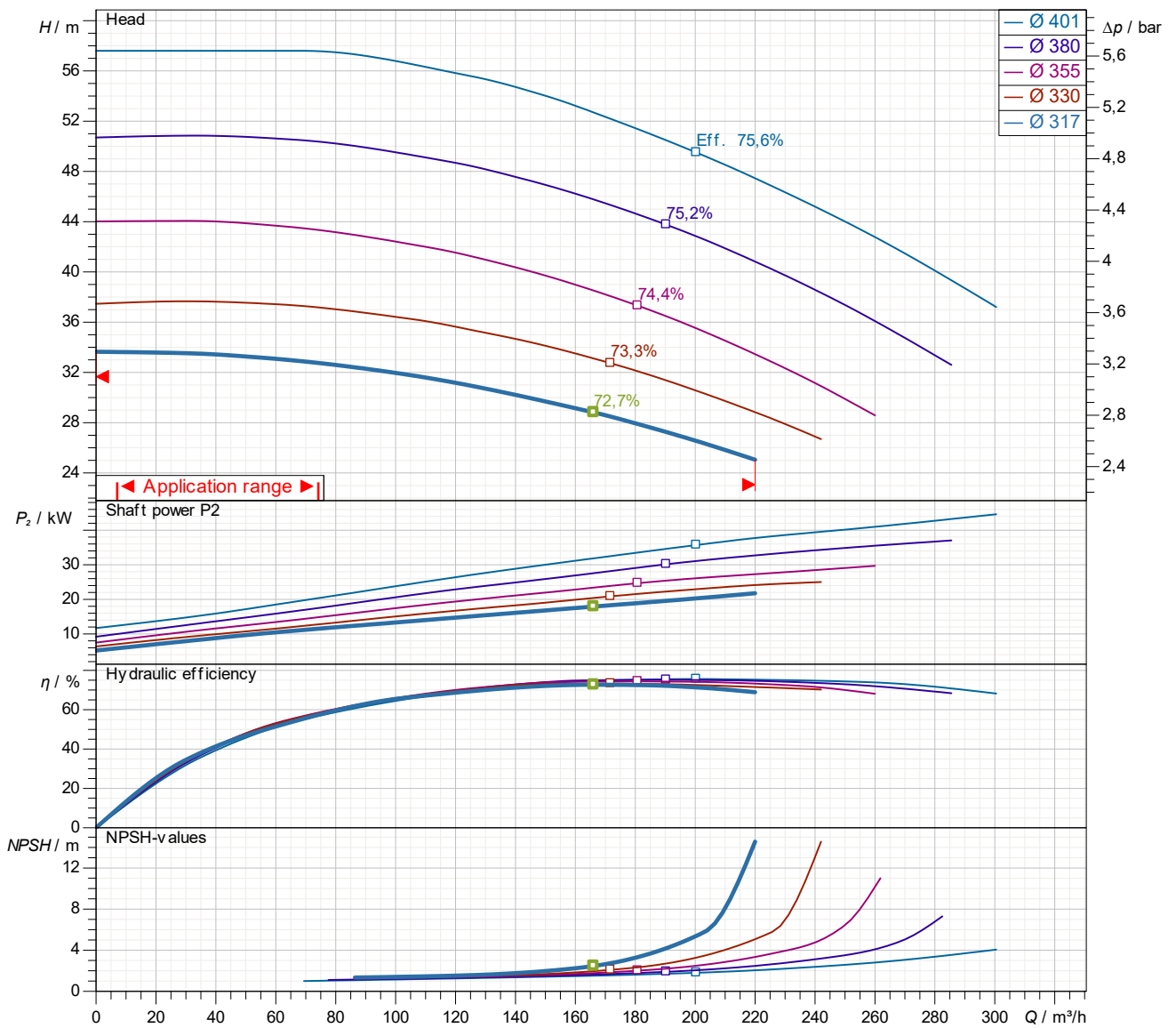
**Company**  
Contact  
E-mail  
Phone

2025-01-20

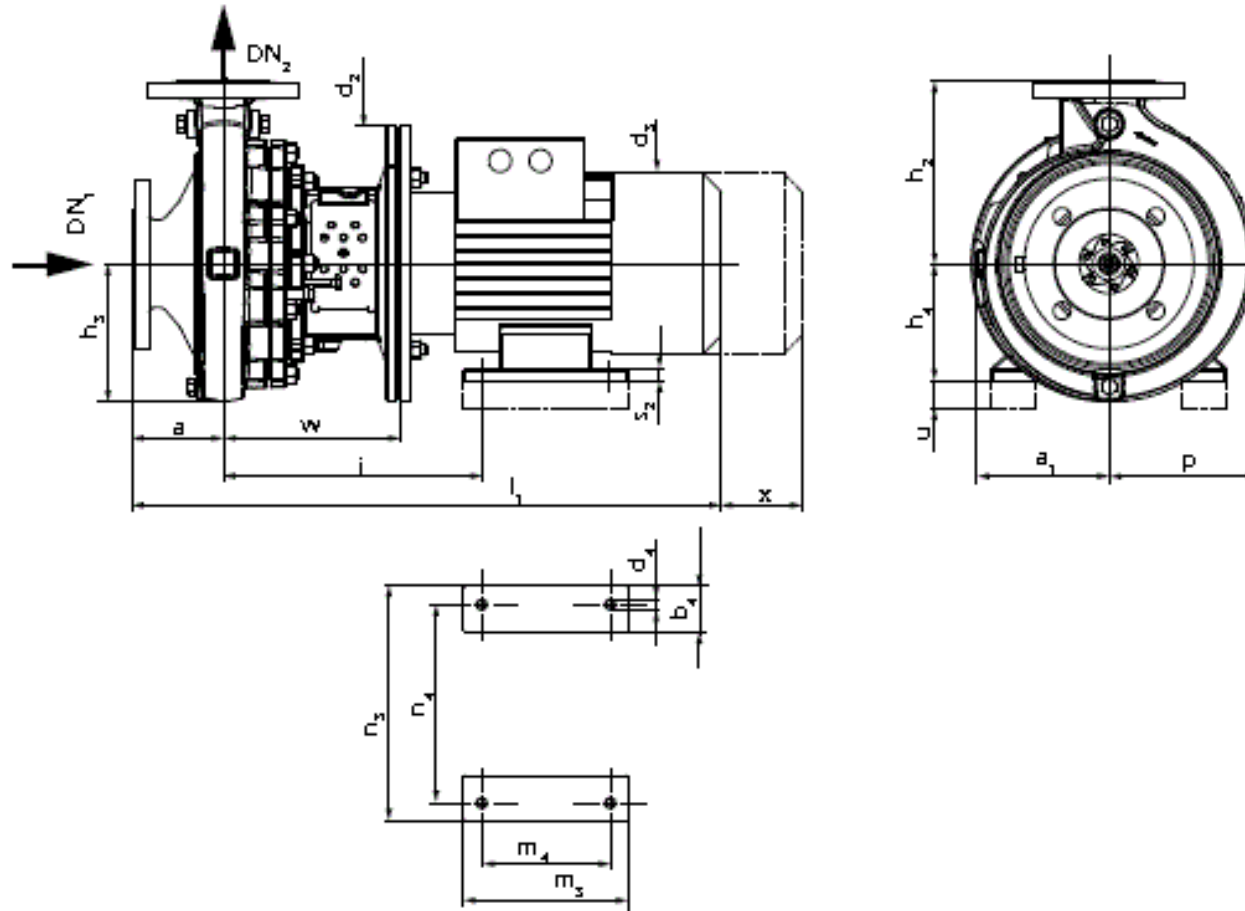
Page 6 / 7

**Performance curve**

**Etabloc 125-100-400/2204 GG**



Density 998,3  $\text{kg}/\text{m}^3$   
Viscosity 1,005  $\text{mm}^2/\text{s}$



Name	Wert	Name	Wert
a	140 mm	n1	500 mm
a1	255 mm	n2	400 mm
b1	100 mm	p	283 mm
d1	24 mm	s1	20 mm
DN1	125 mm	x	140 mm
DN2	100 mm		
h1	280 mm		
h2	355 mm		
h4	200 mm		
m1	200 mm		
m2	150 mm		