

**Tender text**

**Project name**  
**Project ID**

**Customer**  
 Contact  
 E-mail  
 Phone

**Company**  
 Contact  
 E-mail  
 Phone

2025-01-20

Page 1 / 3

Pos.no	Description	Item no.
	<b>Submersible dirty water motor pumps</b>	
	AmaDrainer B 100 ND / 12	29117726
	<b>AmaDrainer 80/ 100 N</b>	
	Fully floodable submersible motor pump with open impeller, close-coupled, with surface-cooled three-phase motor, enclosure IP68, with integrated thermal motor protection, without automatic level control.	
	- AmaDrainer 80 N: surface-cooled three-phase motor, with temperature switch, power cable and CEE plug with phase inverter, phase sequence indicator and over-current trip.	
	- AmaDrainer 100 N: surface-cooled three-phase motor with temperature switch, power cable and free cable ends. A switchgear / control unit must be purchased separately.	
	<b>Operating data</b>	
	Fluid handled	: Water
	Flow rate Q	:
	Head H	:
	Permissible fluid temperature	: 50 °C max. in continuous duty (AmaDrainer B 40 °C) max. Maximum immersion depth: 10 m
	<b>Drive</b>	
	Supply voltage	: 3~400 / 50 Hz
	Frequency	: 50 Hz
	Nominal power P1	: 9,102 kW
	Motor rating P2	: 7,5 kW
	Nominal current	: 15,40 A
	Enclosure	: IP68
	Without float switch: Control via external level control and control unit	
	<b>Materials</b>	
	Pump casing	: GG-RUBBER
	Suction cover	: Steel, CK 45 N
	Impeller	: Grey cast iron JL1040
	Pump foot	: Polystyrene
	Rotor shaft	: Chrome steel (1.4021)
	<b>Dimensions/connections</b>	



## Tender text

**Project name**

**Project ID**

**Customer**

Contact

E-mail

Phone

**Company**

Contact

E-mail

Phone

2025-01-20

Page 2 / 3

---

Pos.no	Description	Item no.	Qty.	UP / EUR	TP / EUR
	Free passage	: 12 mm max.			
	Discharge side	: DN 100			
	Length	: 416 mm			
	Width	: 416 mm			
	Height	: 628 mm			
	<b>Purchase order information</b>				
	Make	: KSB			
	Type series, size	: AmaDrainer 80/100 / 100f			
	Material price group	: 31			
	Weight	: 106 kg			
	<b>Material number</b>	: 29117726			

---

**Data sheet: technical data**

**Project name**  
**Project ID**

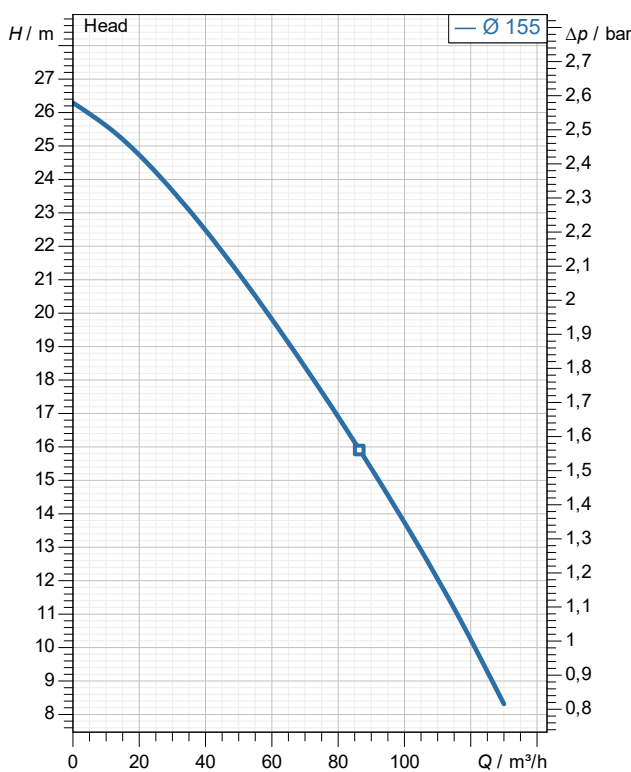
**Item-No.**  
**Design**                   **Submersible dirty water motor pumps**  
**Type / Coding**           **AmaDrainer B 100 ND / 12**

**Customer**  
Contact  
E-mail  
Phone

**Company**  
Contact  
E-mail  
Phone

2025-01-20

Page 3 / 3



**demand data**

Flow  
Total head  
Geodetic head  
Media                           Water  
Liquid temperature       20 °C

**Pump data**

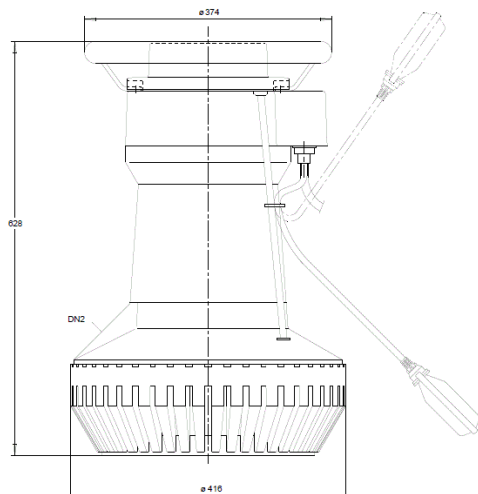
Make                           KSB  
Type                           AmaDrainer B 100 ND / 12  
Design                       Submersible dirty water motor p  
Specific design             Single head pump  
No. of pumps                1  
Standby pump                No  
Max. fluid temperature    40 °C

**Hydraulic data (Duty point)**

Flow  
Head

**Material / sealing element**

Pump casing                GG-RUBBER  
Shaft                         Chrome steel 1.4021+QT800  
Impeller                    Grey cast iron JL1040  
O-ring                       Nitrile rubber NBR  
Motor housing              AL plastic  
Float switch               POLYPROPYLENE (PP)



**Dimensions**

Discharge flange standard   DN 100

**Rated motor data**

Power input (P1)           9,1 kW  
Rated power (Pn)          7,5 kW  
Speed                        2.800 1/min  
Rated voltage               400 V  
Rated current (In)         15,4 A

**Product information**

Ident. No./ type key       29117726  
Weight loaded              106 kg  
Gross price                 13.029,79 EUR  
PL 2025-01-20  
Price group                 31