

**Customer**

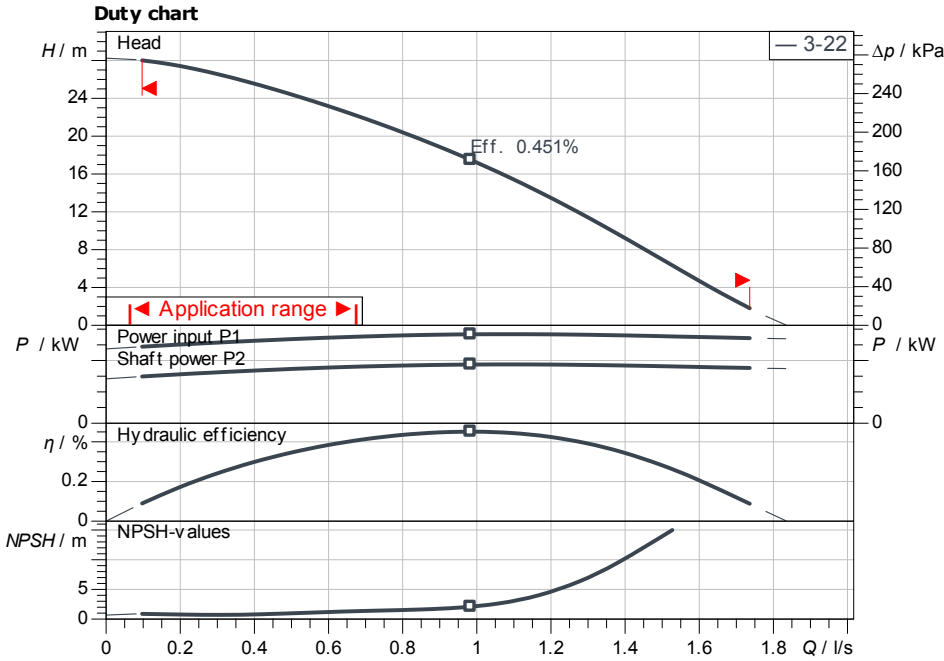
## Technical data

### High-pressure multistage centrifugal pump HiMulti 3-22 P/1/6/220

Project ID: Untitled project 2025-03-05 08:29:53.905

Project name  
Installation location  
Customer pos. No.

Date: 2025-03-05



**Requested data**

Flow	
Head	
Media	Water 100 %
Fluid temperature	20.00 °C
Density	998.30 kg/m <sup>3</sup>
Kin. viscosity	1.00 mm <sup>2</sup> /s

**Hydraulic data (Duty point)**

Flow  
Head

**Product data**

High-pressure multistage centrifugal pump	
HiMulti 3-22 P/1/6/220	
Max. operating pressure	800 kPa
Inlet pressure max.	300 kPa
Fluid temperature	5 °C ... +35 °C
Max. ambient temperature	50 °C

**Motordata per Motor/Pump**

Mains connection	1 ~ 220 V / 60 Hz
Permitted voltage tolerance	+10/-15 %
Max. speed	3,500 1/min
Rated power P2	0.40 kW
Rated current	3.20 A
0	
Degree of protection	X4
Insulation class	F
Motor protection	PTO

**Fitting dimensions**

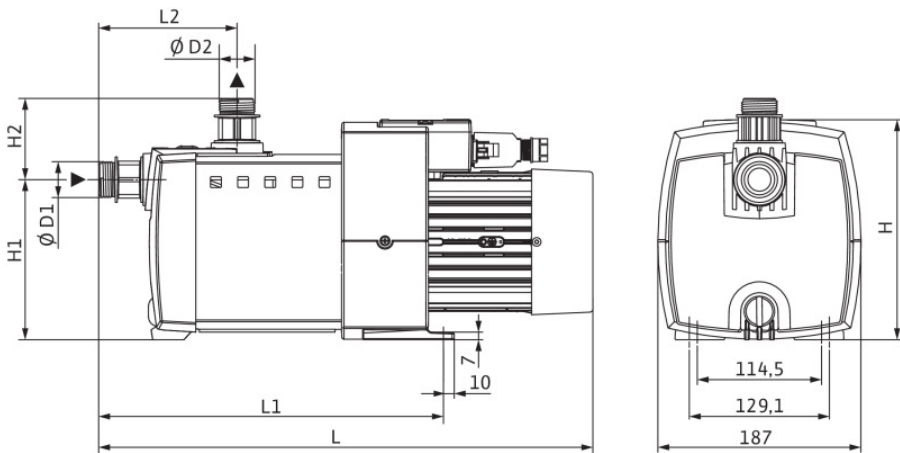
Pipe connection on the suction side	G 1, PN 8
Pipe connection (pressure side)	G 1, PN 8

**Materials**

Pump housing	PA6T/6I-GF40
Impeller	PPE/PS-GF30
Shaft	1.4021
Shaft seal	BVPFF
Gasket material	EPDM
Stage chamber material	PPE/PS-GF30

**Information for order placements**

Weight approx.	7.8 kg
Item number	4244722



Dimensions		mm	
DNd	G 1, PN 8 L		415
DNs	G 1, PN 8 L1		277
H	203 L2		136
H1	147		
H2	83		