

Customer

Technical data

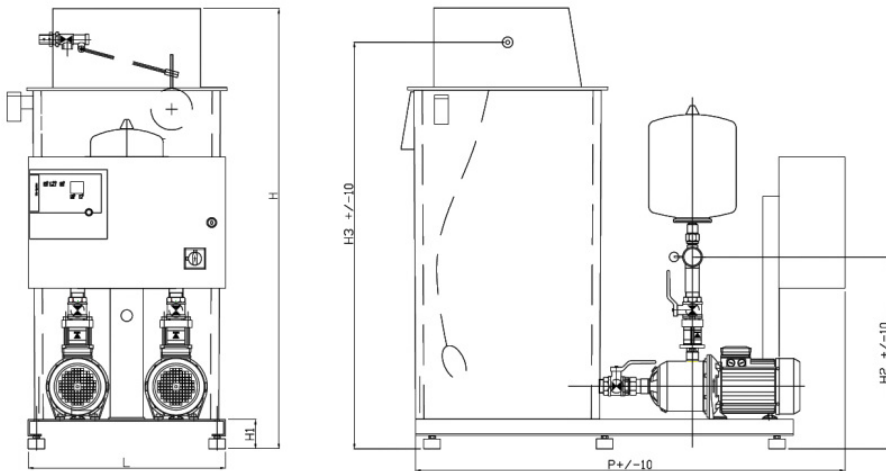
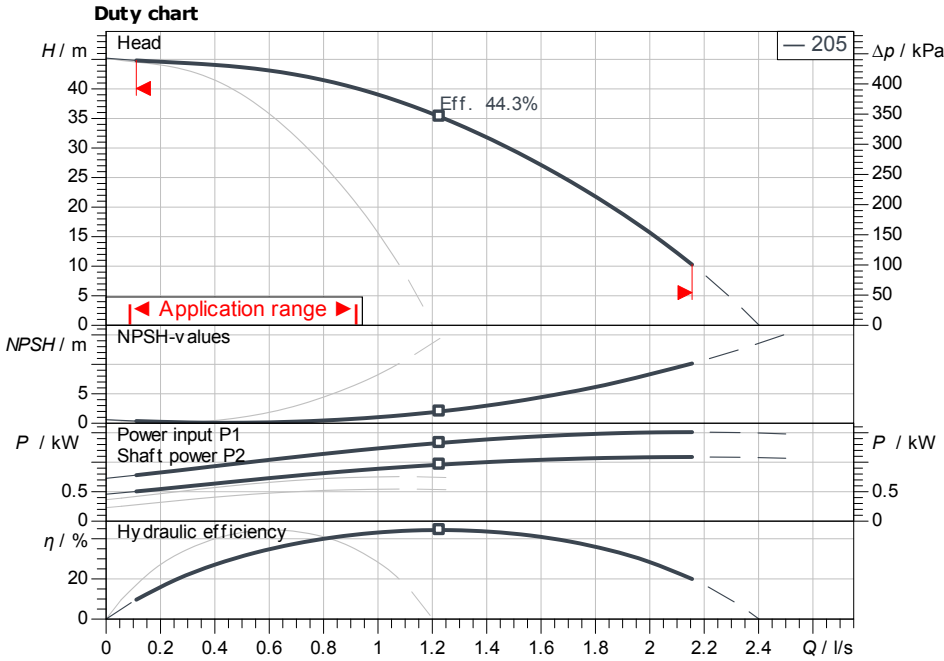
Multi-pump system

Isar MODH1-2CH1-L-205/SCe-T260

Project ID: Untitled project 2025-03-03 22:14:23.954

Project name
Installation location
Customer pos. No.

Date: 2025-03-03



Requested data

Flow	
Head	
Media	Water 100 %
Fluid temperature	20.00 °C
Density	998.30 kg/m ³
Kin. viscosity	1.00 mm ² /s

Hydraulic data (Duty point)

Flow
Head
Shaft power P2

Product data

Multi-pump system	
Isar MODH1-2CH1-L-205/SCe-T260	
Control	With frequency converter
No. of pumps	2
Max. operating pressure	1,000 kPa
Inlet pressure max.	6 bar
Fluid temperature	3 °C ... +60 °C
Max. ambient temperature	40 °C
Diaphragm pressure vessel	Yes
Low-water cut-out switchgear	Yes

Control

Mains connection	1~ 220-230 V
	50 Hz
Protection class of switchgear	IP54

Motordata per Motor/Pump

Motor efficiency level	IE2
Rated power P2	0.55 kW
Rated current	1.50 A
Efficiency	
50% / 75% / 100%	66.1/71.4/74.1%
Protection class motor	IP55
Insulation class	F
Motor protection	

Fitting dimensions

Pipe connection on the suction side	Rp ¾, PN 6
Pipe connection (pressure side)	R 1¼, PN 10
Overflow connection	Ø 50
Gross volume	260 l

Materials

Pump housing	1.4301
Impeller	1.4301
Shaft	1.4301
Shaft seal	BQ1E3GG
Gasket material	EPDM
Pipework material	1.4307

Information for order placements

Weight approx.	81 kg
Item number	29993823

Dimensions		mm			
DNd	R 1¼, PN	HS	400	P1	0
DNs	Rp ¾, PN	L	600	X	424
H	1,540	L1	250		
H1	90	LS	600		
H2	359	P	1,270		

Contact
E-mail
Phone

Customer

Contact
E-mail
Phone

Dimensions

Multi-pump system

Isar MODH1-2CH1-L-205/SCe-T260

Project ID

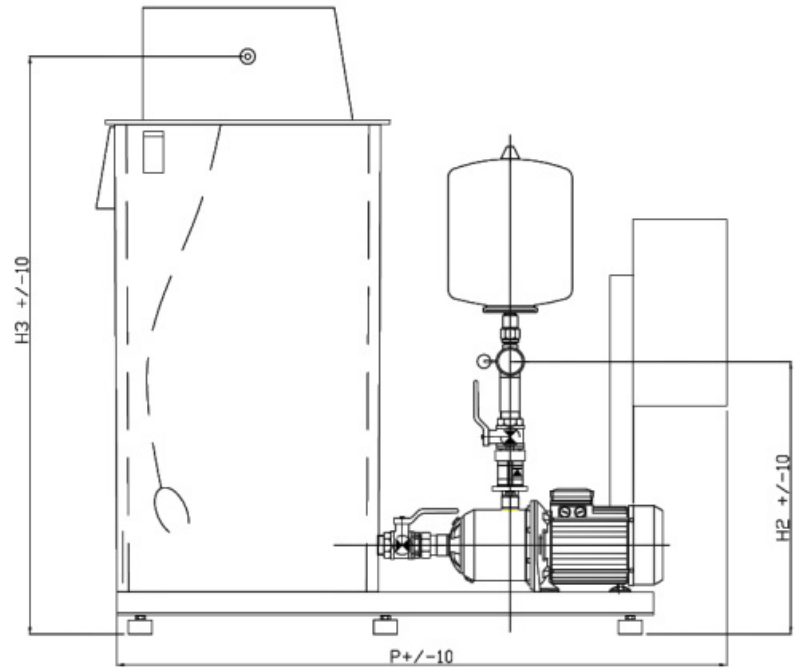
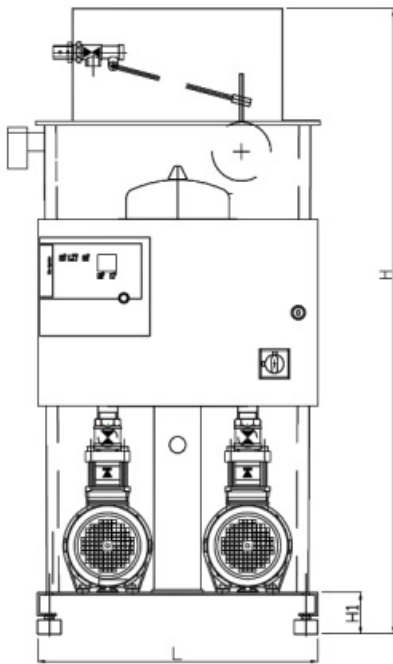
Untitled project 2025-03-03 22:14:23.954

Project name

Installation location

Customer pos. No.

Date 2025-03-03



Standard

Suction side Rp 3/4, PN 6/PN 10
Discharge side R 1 1/4, PN 6/PN 10

Dimensions mm

Name	Value	Name	Value	Name	Value	Name	Value
DNd	R 1 1/4, PN 10	L1	250				
DNs	Rp 3/4, PN 6	LS	600				
H	1,540	P	1,270				
H1	90	P1	0				
H2	359	X	424				
HS	400						
L	600						