

Customer

Technical data

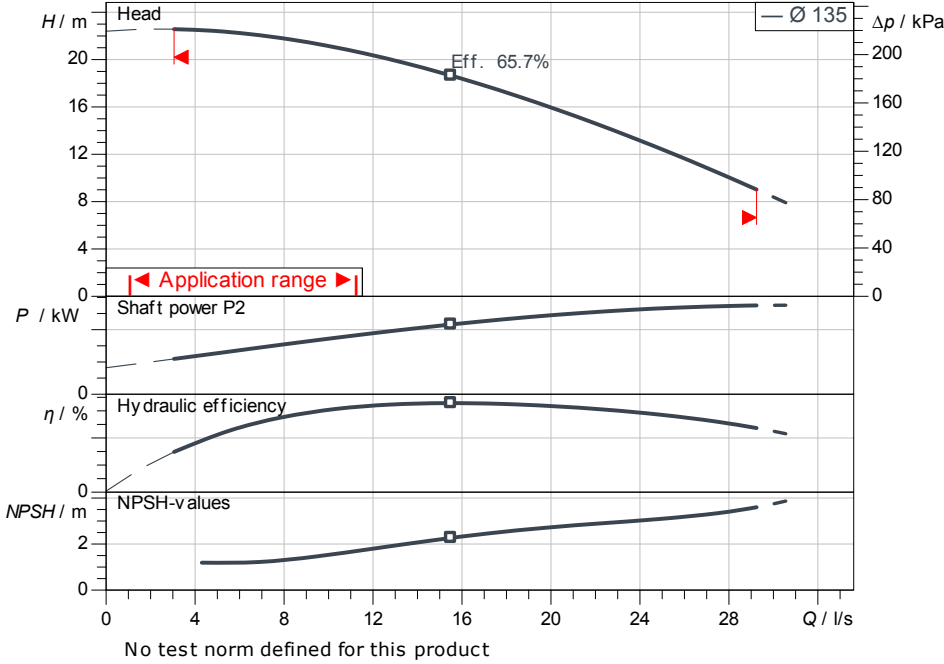
Glanded monobloc pump Atmos BST 65/125-5.5/2-H12-V2

Project ID Untitled project 2025-03-01 17:12:44.130

Project name
Installation location
Customer pos. No.

Date 2025-03-01

Duty chart



Requested data

Flow	
Head	
Media	Water 100 %
Fluid temperature	20.00 °C
Density	998.30 kg/m ³
Kin. viscosity	1.00 mm ² /s

Hydraulic data (Duty point)

Flow	
Head	
Shaft power P2	
Hydraulic efficiency	
NPSH	
Impeller size	135

Product data

Glanded monobloc pump	
Atmos BST 65/125-5.5/2-H12-V2	
Max. operating pressure	1,000 kPa
Fluid temperature	-20 °C ... +120 °C
Max. ambient temperature	50 °C
Minimum efficiency index (MEI)	≥ 0.4

Motordata per Motor/Pump

Motor efficiency level	IE3
Mains connection	3~ 400 V / 50 Hz
Permitted voltage tolerance	+6 %
Max. speed	2,900 1/min
Rated power P2	5.50 kW
Rated current	10.10 A
Power factor	0.88
Efficiency	50% / 75% / 100%
Degree of protection	IP55
Insulation class	F
Motor protection	

Fitting dimensions

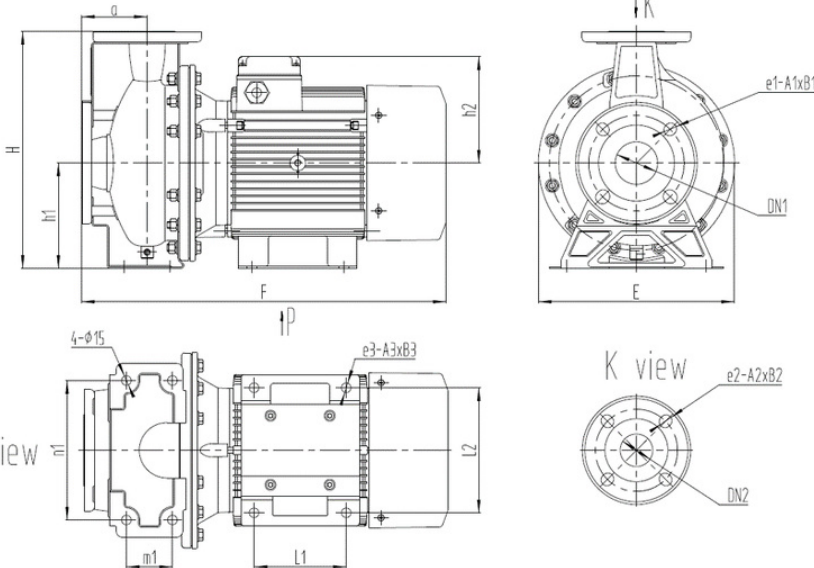
Pipe connection on the suction side	DN 80, PN 16
Pipe connection (pressure side)	DN 65, PN 16
Port to Port	

Materials

Pump housing	1.4401
Impeller	1.4401
Shaft	1.4401
Shaft seal	B3Q1EG

Information for order placements

Weight approx.	
Item number	9187167



Dimensions

mm

A	100	B2	20	E	256	L1	140
A1	18	B3	20	F	543	L2	190
A2	18	dL	18	H	340	M1	95
A3	15	DN1	DN 80, P	H1	160	n1	212
B1	20	DN2	DN 65, P	H2	162	Ø k	160



Contact
E-mail
Phone

Customer

Contact
E-mail
Phone

Hydraulic data

Glanded monobloc pump
Atmos BST 65/125-5.5/2-H12-V2

Project ID Untitled project 2025-03-01 17:12:44.130

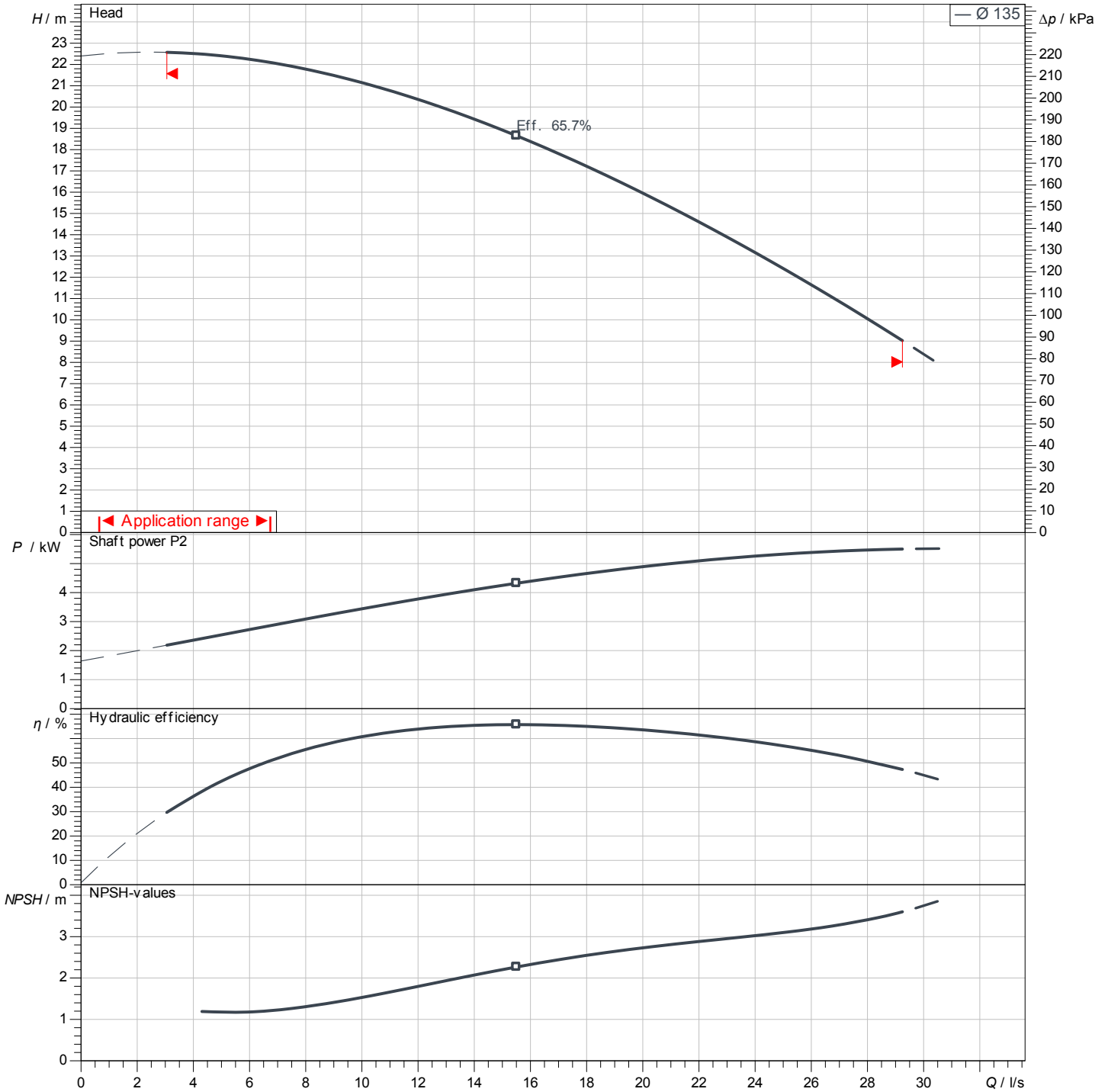
Project name
Installation location
Customer pos. No.

Date 2025-03-01

Operating data

Rotational speed 2941 1/min	Frequency 50 Hz	Duty point Q =	H =	Suction port DN 80	Discharge port DN 65
---------------------------------------	---------------------------	--------------------------	------------	------------------------------	--------------------------------

Power data referred to: Water; 20°C; 998.3kg/m³; 1.005mm²/s ±10 % tolerance with linear U/f frequency control



No test norm defined for this product

Contact
E-mail
Phone

Customer

Contact
E-mail
Phone

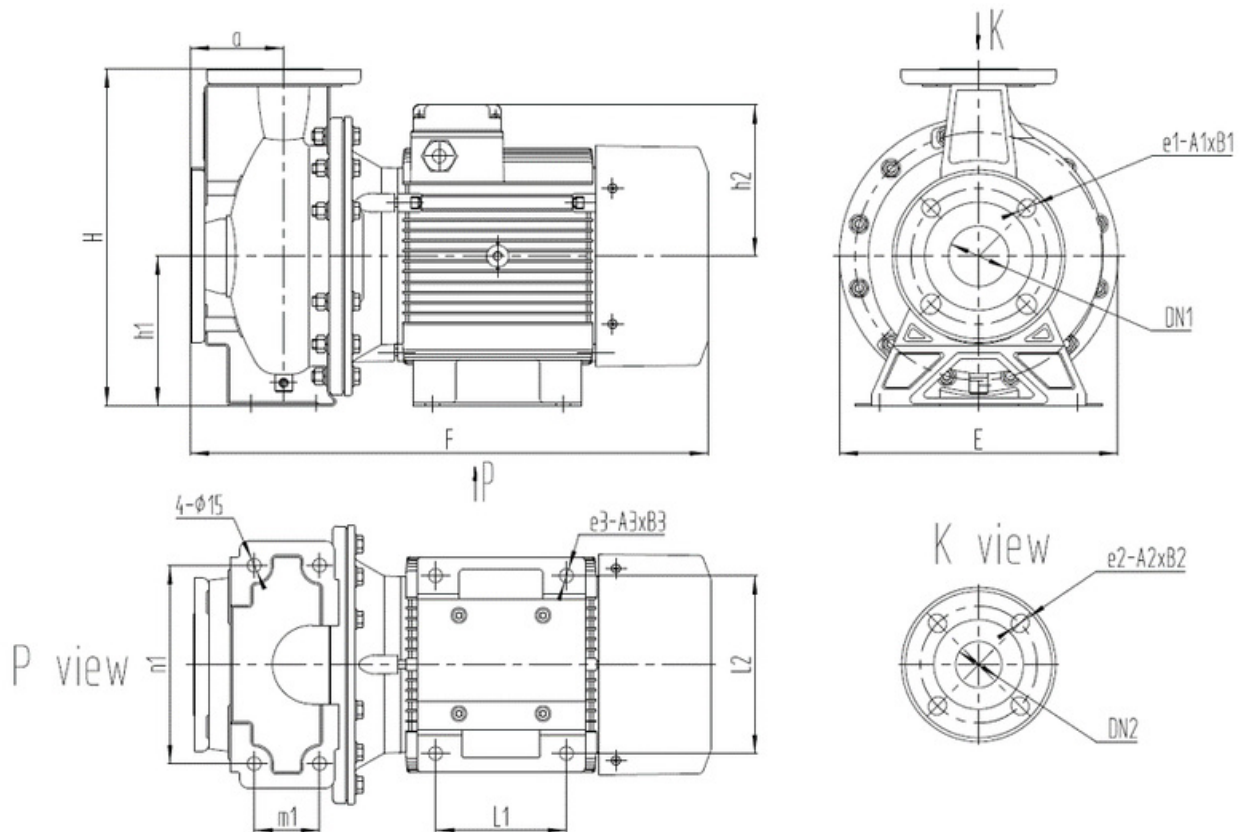
Dimensions

Glanded monobloc pump
Atmos BST 65/125-5.5/2-H12-V2

Project ID Untitled project 2025-03-01 17:12:44.130

Project name
Installation location
Customer pos. No.

Date 2025-03-01



Standard

Suction side DN 80, PN 16
Discharge side DN 65, PN 16

Dimensions mm

Name	Value	Name	Value	Name	Value	Name	Value
A	100	dL	18	H2	162	Ø D	200
A1	18	DN1	DN 80, PN 16	L1	140		
A2	18	DN2	DN 65, PN 16	L2	190		
A3	15	E	256	M1	95		
B1	20	F	543	n1	212		
B2	20	H	340	Ø k	160		
B3	20	H1	160	Ø d	118		