

Customer

Technical data

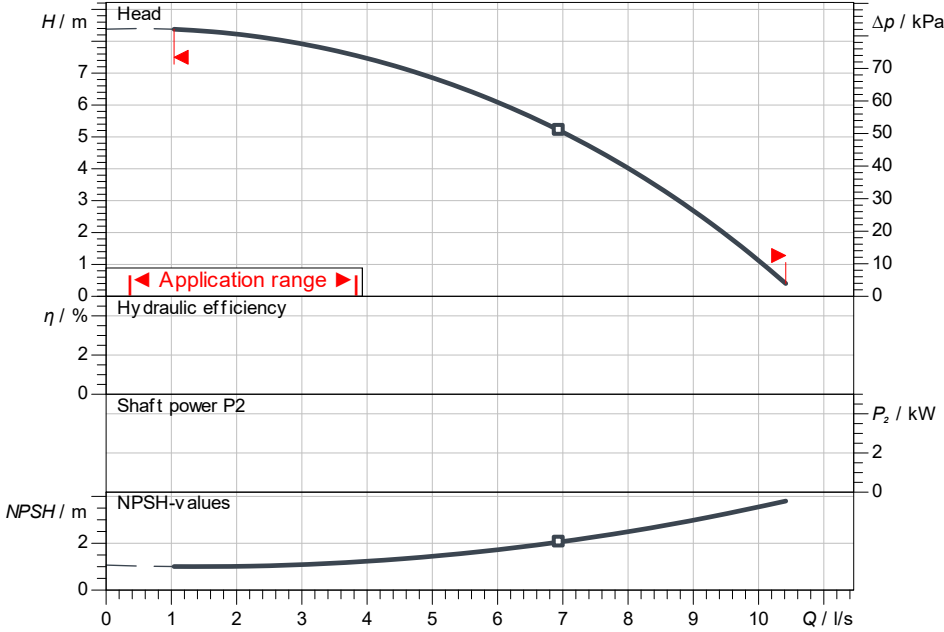
Glanded special pump IPH-O65/160-1,1/4

Project ID Untitled project 2025-03-17 08:16:17.345

Project name
Installation location
Customer pos. No.

Date 2025-03-17

Duty chart



Requested data

Flow
Head
Media Water 100 %
Fluid temperature 20.00 °C
Density 998.30 kg/m³
Kin. viscosity 1.00 mm²/s

Hydraulic data (Duty point)

Flow
Head
Shaft power P2
Hydraulic efficiency
NPSH

Product data

Glanded special pump
IPH-O65/160-1,1/4
Max. operating pressure 900 kPa
Fluid temperature -10 °C ... +350 °C
Max. ambient temperature 40 °C

Motordata per Motor/Pump

Mains connection 3~400 V / 50 Hz
Permitted voltage tolerance +10 %
Rated speed 1,415 1/min
Rated power P2 1.10 kW
Rated current 2.27 A
Power factor 0.83
Degree of protection IP55
Insulation class F
Motor protection No

Fitting dimensions

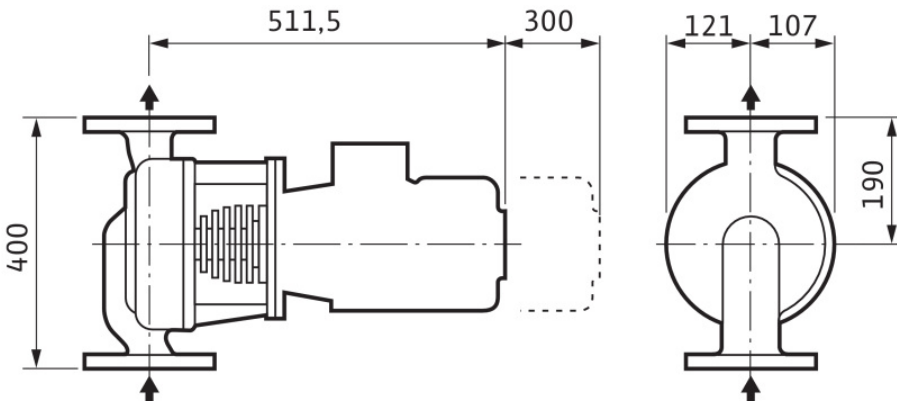
Pipe connection on the suction side DN 65, PN 25
Pipe connection (pressure side) DN 65, PN 25
Port to Port

Materials

Pump housing 1.0625
Impeller 5.1301/EN-GJL-250
Lantern EN-GJS-400-15
Shaft 1.4005
Shaft seal AQ1VGG

Information for order placements

Weight approx. 44 kg
Item number 2121292



Dimensions

mm

L0 400