

**Customer**

# Technical data

## Multi-pump system

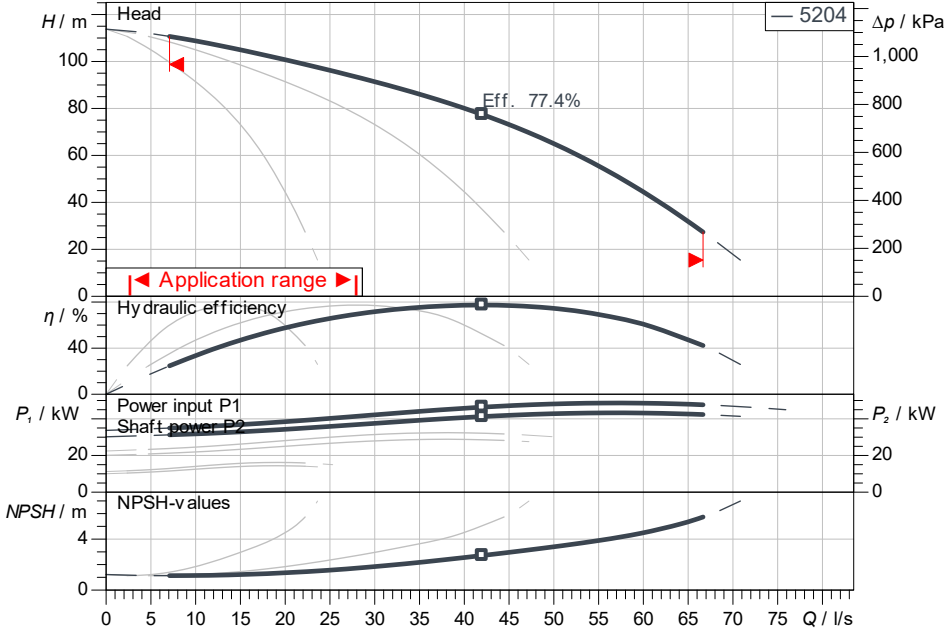
### SiBoost Smart 3 Helix V 5204

Project ID: Untitled project 2025-03-04 01:04:54.425

Project name  
Installation location  
Customer pos. No.

Date: 2025-03-04

#### Duty chart



#### Requested data

Flow  
Head  
Media: Water 100 %  
Fluid temperature: 20.00 °C  
Density: 998.30 kg/m<sup>3</sup>  
Kin. viscosity: 1.00 mm<sup>2</sup>/s

#### Hydraulic data (Duty point)

Flow  
Head  
Shaft power P2

#### Product data

Multi-pump system  
SiBoost Smart 3 Helix V 5204

No. of pumps: 3  
Max. operating pressure: 1,600 kPa  
Inlet pressure max.: 1,000  
Fluid temperature: 3 °C ... +50 °C  
Max. ambient temperature: 40 °C  
Protection class system: IP55  
Protection class of switchgear: IP54  
Diaphragm pressure vessel: Yes  
Low-water cut-out switchgear: No

#### Motordata per Motor/Pump

Motor efficiency level: IE3  
Mains connection: 3~ 400 V / 50 Hz  
Permitted voltage tolerance: +-10 %  
Rated speed: 2,900 1/min  
Rated power P2: 15.00 kW  
Rated current: 26.70 A  
Power factor: 0.88  
Efficiency: 50% / 75% / 100%  
Degree of protection: IP55  
Insulation class: F  
Motor protection: Yes

#### Fitting dimensions

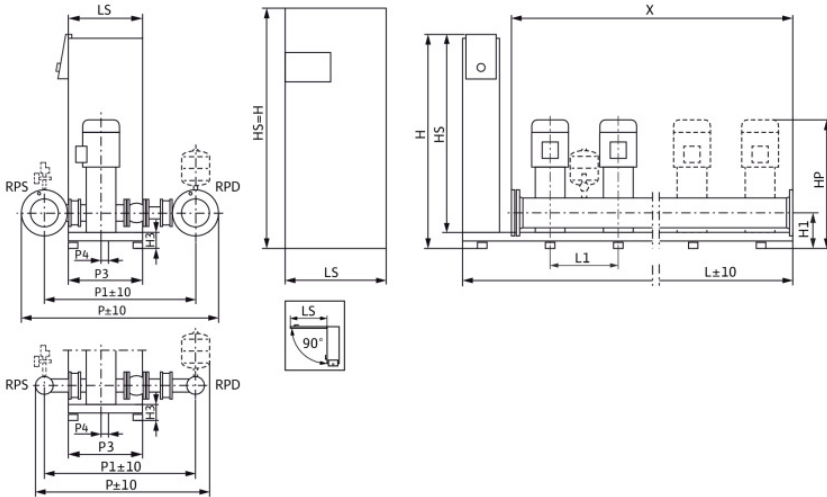
Pipe connection on the suction side: DN 150, PN 10  
Pipe connection (pressure side): DN 150, PN 16

#### Materials

Pump housing: 5.1301/EN-GJL-250  
Impeller: 1.4307  
Shaft: 1.4057  
Shaft seal: Q1BE3GG  
Gasket material: EPDM  
Pipework material: 1.4307

#### Information for order placements

Weight approx.: 946 kg  
Item number: 2540833



#### Dimensions

mm

DNd	DN 150,	H3	125	LS	600	X	1,500
DNs	DN 150,	HP	1,583	P	1,351		
H	1,900	HS	1,900	P1	1,066		
H1	265	L	1,580	P3	500		
H2	429.2	L1	500	P4	0		

Contact  
E-mail  
Phone

**Customer**

Contact  
E-mail  
Phone

## Dimensions

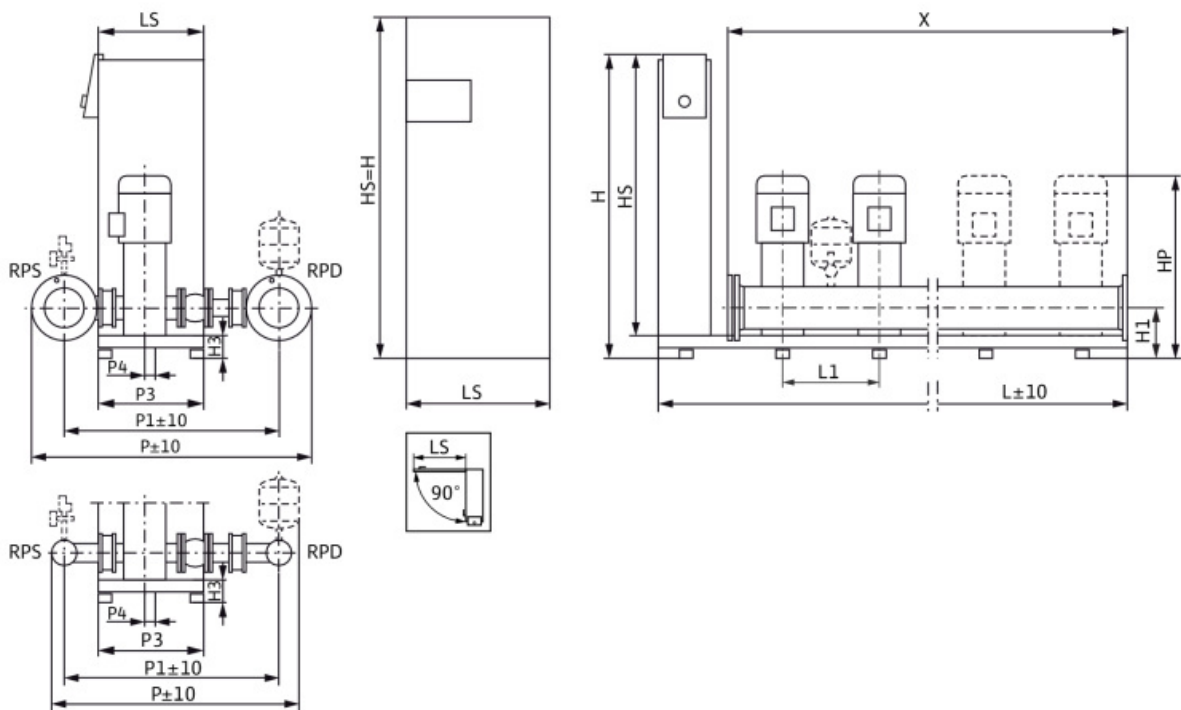
### Multi-pump system

SiBoost Smart 3 Helix V 5204

Project ID                      Untitled project 2025-03-04 01:04:54.425

Project name  
Installation location  
Customer pos. No.

Date                      2025-03-04



**Standard**

Suction side                      DN 150, PN 10/PN 16  
Discharge side                      DN 150, PN 10/PN 16

**Dimensions**                      mm

Name	Value	Name	Value	Name	Value	Name	Value
DNd	DN 150, PN 16	HS	1,900	P4	0		
DNs	DN 150, PN 10	L	1,580	X	1,500		
H	1,900	L1	500				
H1	265	LS	600				
H2	429.2	P	1,351				
H3	125	P1	1,066				
HP	1,583	P3	500				