

**Customer**

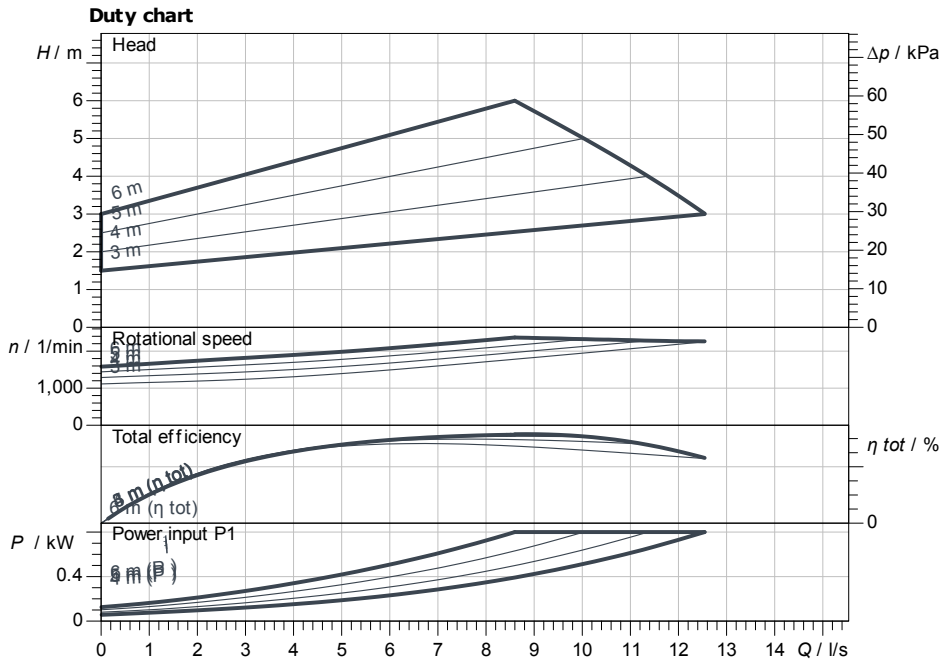
## Technical data

### Glandless standard high-efficiency pump Yonos MAXO 80/0,5-6 PN6

Project ID                      Untitled project 2025-03-04 09:37:01.987

Project name  
Installation location  
Customer pos. No.

Date                      2025-03-04



**Requested data**

Flow	
Head	
Media	Water 100 %
Fluid temperature	20.00 °C
Density	998.30 kg/m <sup>3</sup>
Kin. viscosity	1.00 mm <sup>2</sup> /s

**Hydraulic data (Duty point)**

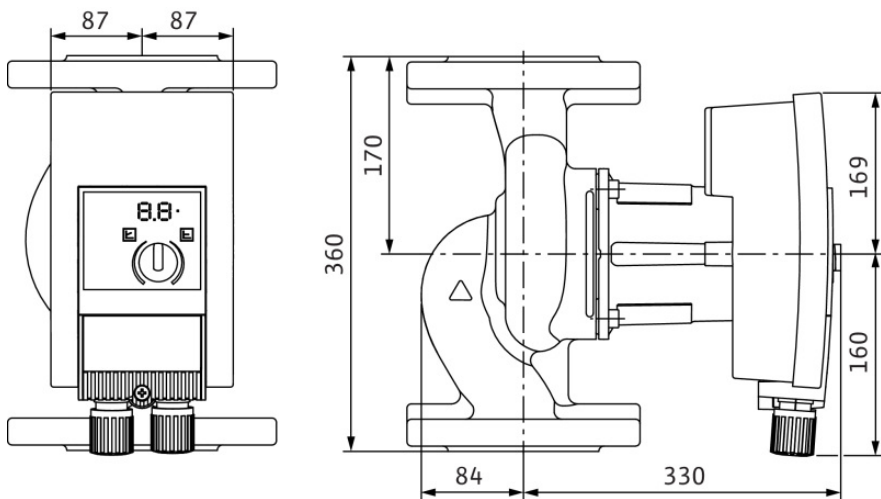
Flow  
Head  
Power input P1

**Product data**

Glandless standard high-efficiency pump	
Yonos MAXO 80/0,5-6 PN6	
Kind of operation	dp-v
Max. operating pressure	600 kPa
Fluid temperature	-20 °C ... +110 °C
Max. ambient temperature	40 °C
Minimum suction head at 50 / 95 / 110 °C	7 / 15 / 23

**Motordata per Motor/Pump**

Motor design	EC motor
Energy efficiency index (EEI)	≤ 0.2
Mains connection	1~ 230 V / 50 Hz
Permitted voltage tolerance	+ -10 %
Max. speed	2,400 1/min
Power input P1	0.8 kW
Current consumption	3.5 A
Degree of protection	IPX4D
Insulation class	F
Motor protection	Internal protection over
Electromagnetic compatibility	
Emitted interference	EN 61800-3;2004+A1
Interference resistance	EN 61800-3;2004+A1
Threaded cable connection	2 x M20x1.5



**Fitting dimensions**

Pipe connection on the suction side	DN 80, PN 6
Pipe connection (pressure side)	DN 80, PN 6
Port to Port	360 mm

**Materials**

Pump housing	5.1301/EN-GJL-250
Impeller	PP-LGF50
Shaft	1.4028
Bearing	Carbon-graphite

**Information for order placements**

Weight approx.	29 kg
Item number	2120656

