

Customer

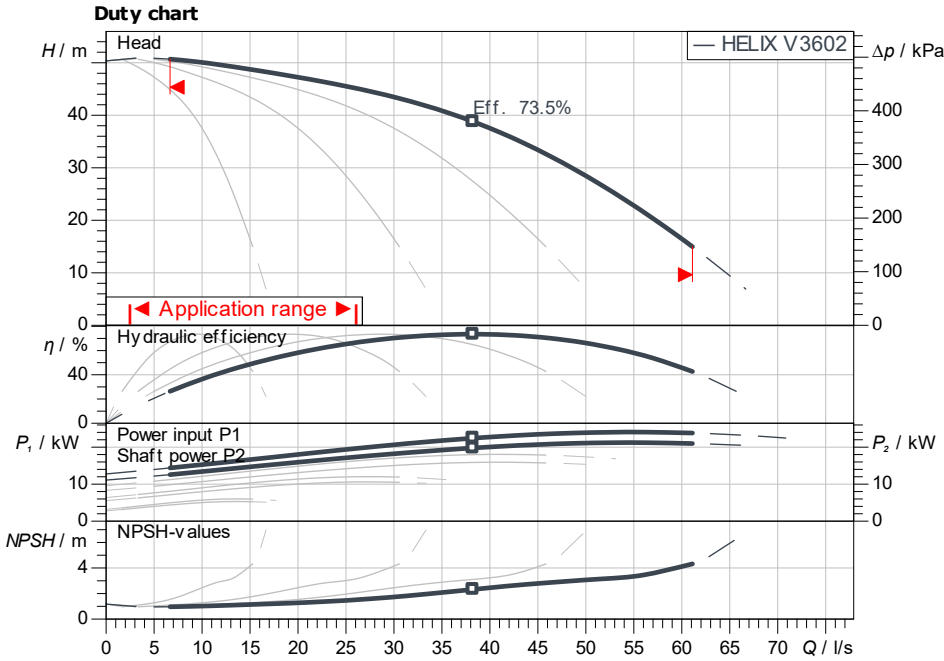
Technical data

Multi-pump system SiBoost Smart 4 Helix V 3602

Project ID: Untitled project 2025-03-04 01:04:54.425

Project name
Installation location
Customer pos. No.

Date: 2025-03-04



Requested data

Flow
 Head
 Media: Water 100 %
 Fluid temperature: 20.00 °C
 Density: 998.30 kg/m³
 Kin. viscosity: 1.00 mm²/s

Hydraulic data (Duty point)

Flow
 Head
 Shaft power P2

Product data

Multi-pump system
 SiBoost Smart 4 Helix V 3602

No. of pumps: 4
 Max. operating pressure: 1,600 kPa
 Inlet pressure max.: 1,000
 Fluid temperature: 3 °C ... +50 °C
 Max. ambient temperature: 40 °C
 Protection class system: IP55
 Protection class of switchgear: IP54
 Diaphragm pressure vessel: Yes
 Low-water cut-out switchgear: No

Motordata per Motor/Pump

Motor efficiency level: IE3
 Mains connection: 3~ 400 V / 50 Hz
 Permitted voltage tolerance: +-10 %
 Rated speed: 2,900 1/min
 Rated power P2: 5.50 kW
 Rated current: 10.50 A
 Power factor: 0.86
 Efficiency: 50% / 75% / 100%
 Degree of protection: IP55
 Insulation class: F
 Motor protection: Yes

Fitting dimensions

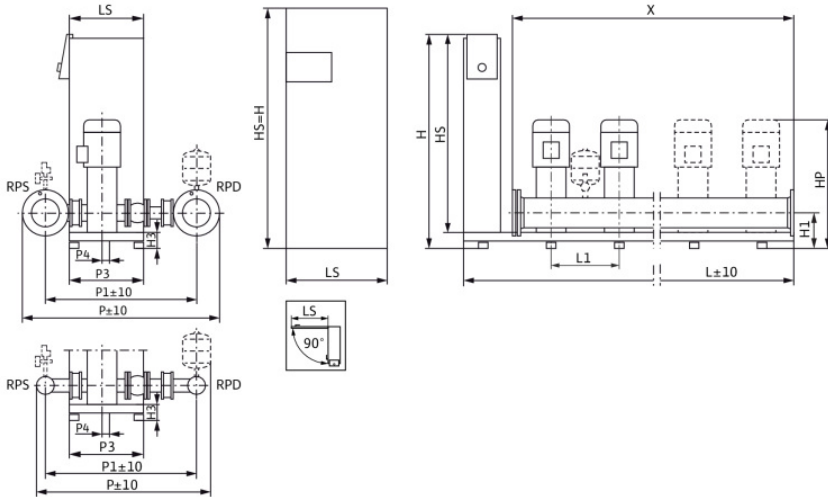
Pipe connection on the suction side: DN 150, PN 10
 Pipe connection (pressure side): DN 150, PN 16

Materials

Pump housing: 5.1301/EN-GJL-250
 Impeller: 1.4307
 Shaft: 1.4057
 Shaft seal: Q1BE3GG
 Gasket material: EPDM
 Pipework material: 1.4307

Information for order placements

Weight approx.: 614 kg
 Item number: 2540780



Dimensions

mm

DNd	DN 150,	H3	105	LS	250	X	1,400
DNs	DN 150,	HP	919	P	1,370		
H	1,405	HS	1,300	P1	1,085		
H1	210	L	1,550	P3	420		
H2	374.2	L1	300	P4	30		

Contact
E-mail
Phone

Customer

Contact
E-mail
Phone

Dimensions

Multi-pump system

SiBoost Smart 4 Helix V 3602

Project ID

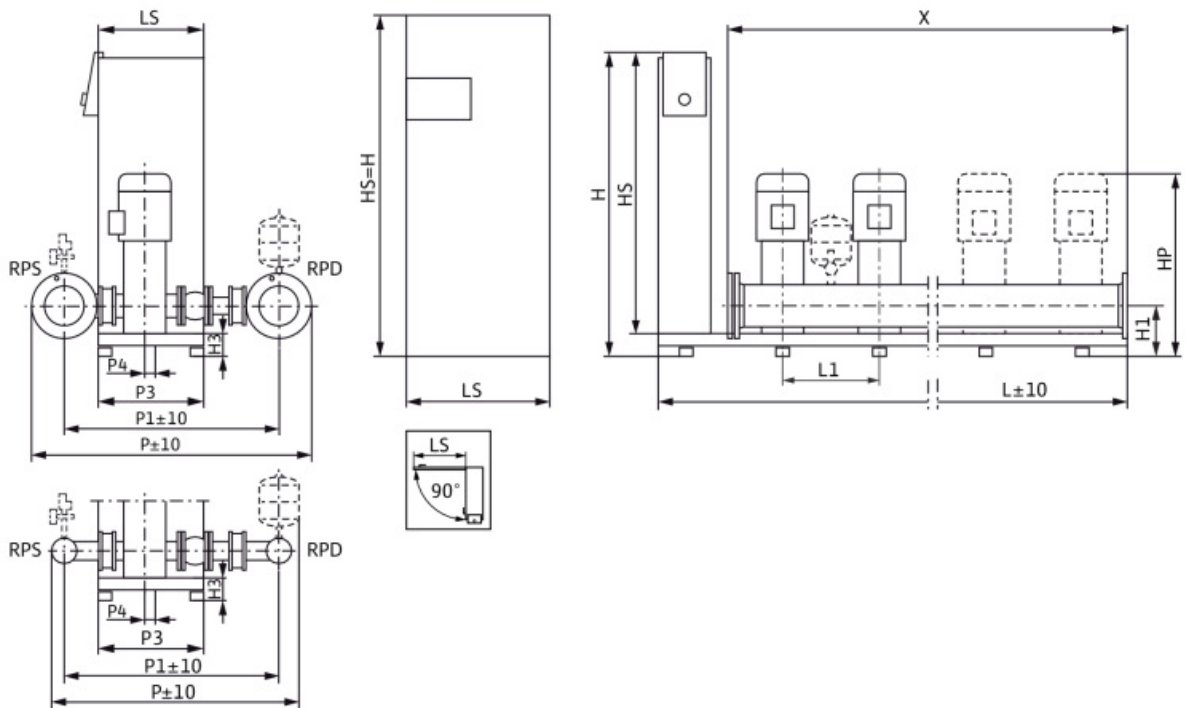
Untitled project 2025-03-04 01:04:54.425

Project name

Installation location

Customer pos. No.

Date 2025-03-04



Standard

Suction side DN 150, PN 10/PN 16

Discharge side DN 150, PN 10/PN 16

Dimensions mm

Name	Value	Name	Value	Name	Value	Name	Value
DNd	DN 150, PN 16	HS	1,300	P4	30		
DNs	DN 150, PN 10	L	1,550	X	1,400		
H	1,405	L1	300				
H1	210	LS	250				
H2	374.2	P	1,370				
H3	105	P1	1,085				
HP	919	P3	420				