

Customer

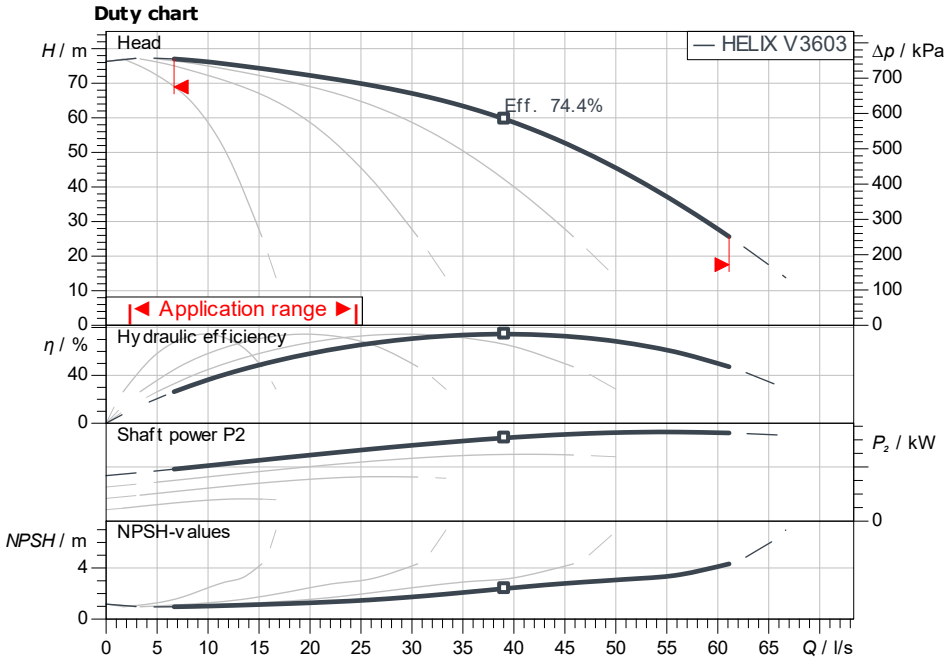
Technical data

Multi-pump system SiBoost Smart 4 Helix V 3603

Project ID: Untitled project 2025-03-04 01:04:54.425

Project name
Installation location
Customer pos. No.

Date: 2025-03-04



Requested data

Flow	
Head	
Media	Water 100 %
Fluid temperature	20.00 °C
Density	998.30 kg/m ³
Kin. viscosity	1.00 mm ² /s

Hydraulic data (Duty point)

Flow	
Head	
Shaft power P_2	

Product data

Multi-pump system
SiBoost Smart 4 Helix V 3603

No. of pumps	4
Max. operating pressure	1,600 kPa
Inlet pressure max.	1,000
Fluid temperature	3 °C ... +50 °C
Max. ambient temperature	40 °C
Protection class system	IP55
Protection class of switchgear	IP54
Diaphragm pressure vessel	Yes
Low-water cut-out switchgear	No

Motordata per Motor/Pump

Motor efficiency level	IE3
Mains connection	3~ 400 V / 50 Hz
Permitted voltage tolerance	+/-10 %
Rated speed	2,900 1/min
Rated power P_2	9.00 kW
Rated current	16.70 A
Power factor	0.87
Efficiency	50% / 75% / 100%
Degree of protection	IP55
Insulation class	F
Motor protection	Yes

Fitting dimensions

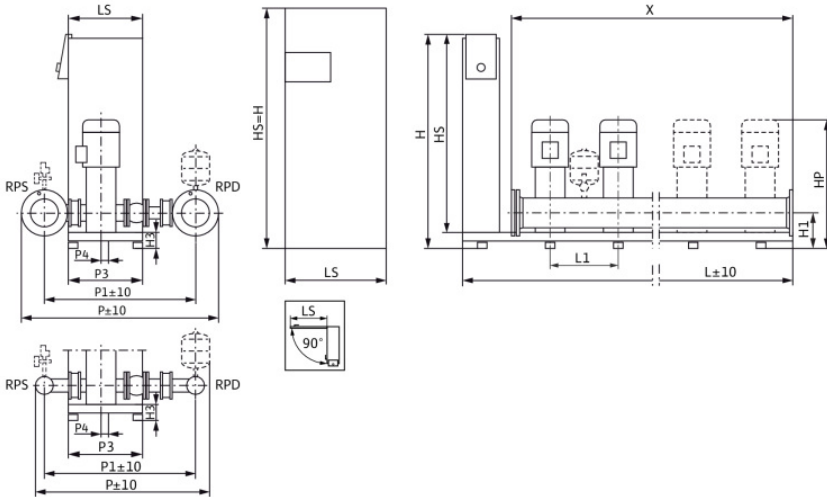
Pipe connection on the suction side	DN 150, PN 10
Pipe connection (pressure side)	DN 150, PN 16

Materials

Pump housing	5.1301/EN-GJL-250
Impeller	1.4307
Shaft	1.4057
Shaft seal	Q1BE3GG
Gasket material	EPDM
Pipework material	1.4307

Information for order placements

Weight approx.	715 kg
Item number	2540782



Dimensions

mm

DNd	DN 150,	H3	105	LS	250	X	1,400
DNs	DN 150,	HP	1,073	P	1,370		
H	1,405	HS	1,300	P1	1,085		
H1	210	L	1,550	P3	420		
H2	374.2	L1	300	P4	30		

Contact
E-mail
Phone

Customer

Contact
E-mail
Phone

Dimensions

Multi-pump system

SiBoost Smart 4 Helix V 3603

Project ID

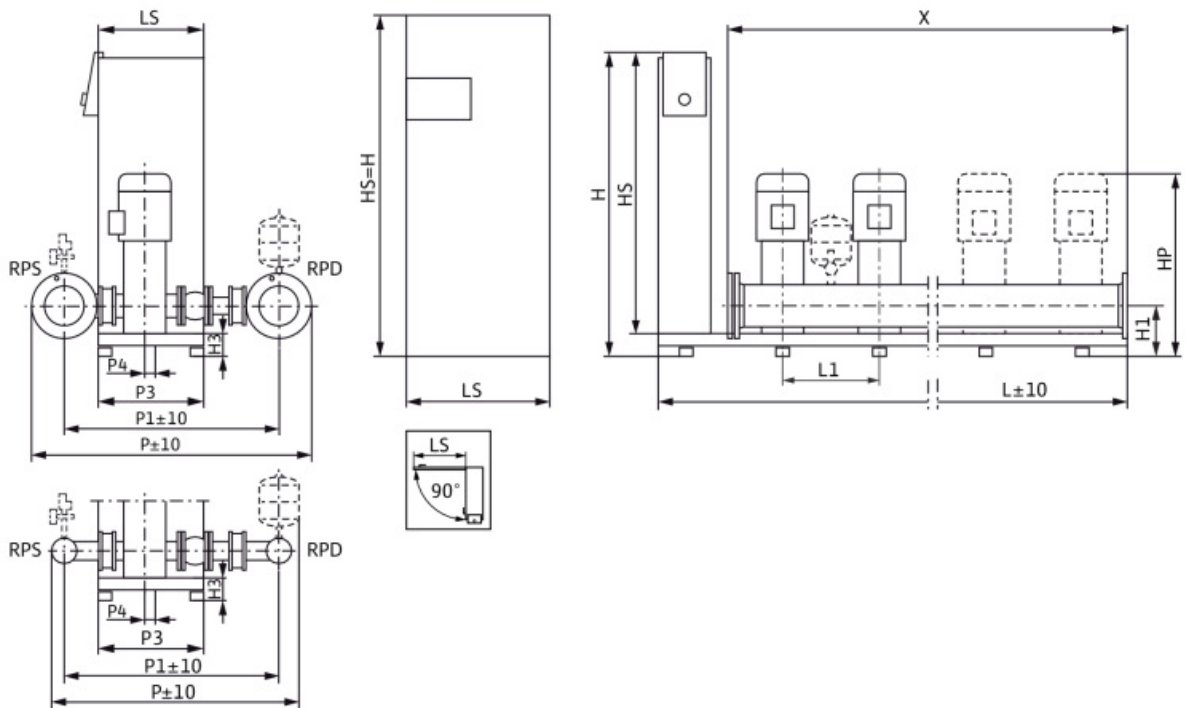
Untitled project 2025-03-04 01:04:54.425

Project name

Installation location

Customer pos. No.

Date 2025-03-04



Standard

Suction side DN 150, PN 10/PN 16

Discharge side DN 150, PN 10/PN 16

Dimensions mm

Name	Value	Name	Value	Name	Value	Name	Value
DNd	DN 150, PN 16	HS	1,300	P4	30		
DNs	DN 150, PN 10	L	1,550	X	1,400		
H	1,405	L1	300				
H1	210	LS	250				
H2	374.2	P	1,370				
H3	105	P1	1,085				
HP	1,073	P3	420				