

Customer

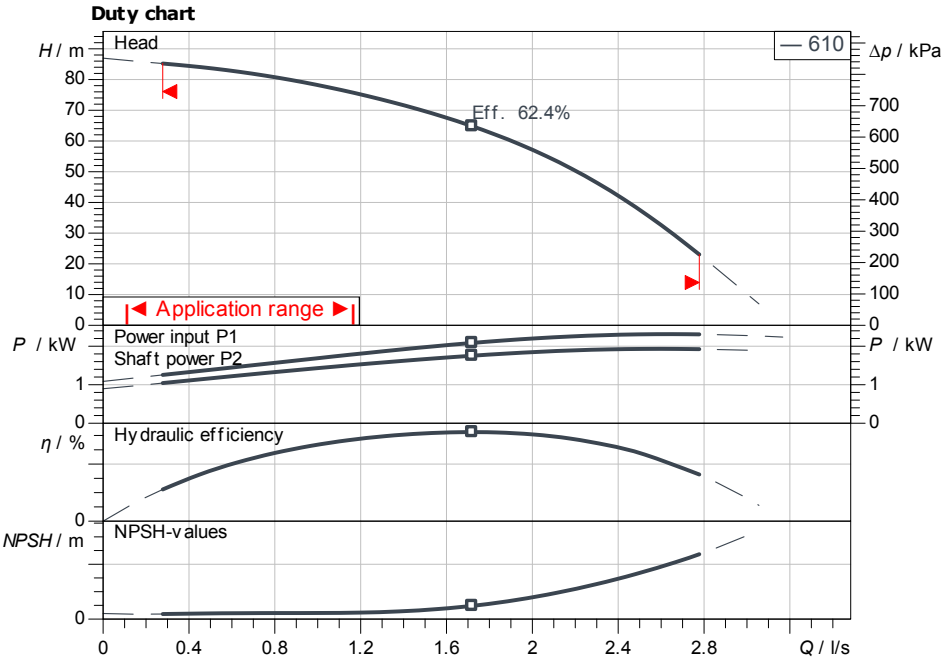
Technical data

Single-pump system CO-1 Helix V 610/EC

Project ID Untitled project 2025-03-03 10:19:29.207

Project name
Installation location
Customer pos. No.

Date 2025-03-03



Requested data

Flow	
Head	
Media	Water 100 %
Fluid temperature	20.00 °C
Density	998.30 kg/m ³
Kin. viscosity	1.00 mm ² /s

Hydraulic data (Duty point)

Flow	
Head	
Shaft power P2	

Product data

Single-pump system	
CO-1 Helix V 610/EC	
Control	Without frequency conversion
No. of pumps	1
Max. operating pressure	1,600 kPa
Inlet pressure max.	1,000 kPa
Fluid temperature	3 °C ... +50 °C
Max. ambient temperature	40 °C
Protection class motor	IP55
Protection class of switchgear	IP54
Diaphragm pressure vessel	Yes
Low-water cut-out switchgear	No

Motordata per Motor/Pump

Motor efficiency level	IE3
Mains connection	3~ 400 V / 50 Hz
Permitted voltage tolerance	+/- 10 %
Rated speed	2,900 1/min
Rated power P2	2.20 kW
Rated current	4.30 A
Power factor	0.87
Efficiency	
50% / 75% / 100%	84.8/86.2/85.9%
Insulation class	F
Motor protection	Yes

Fitting dimensions

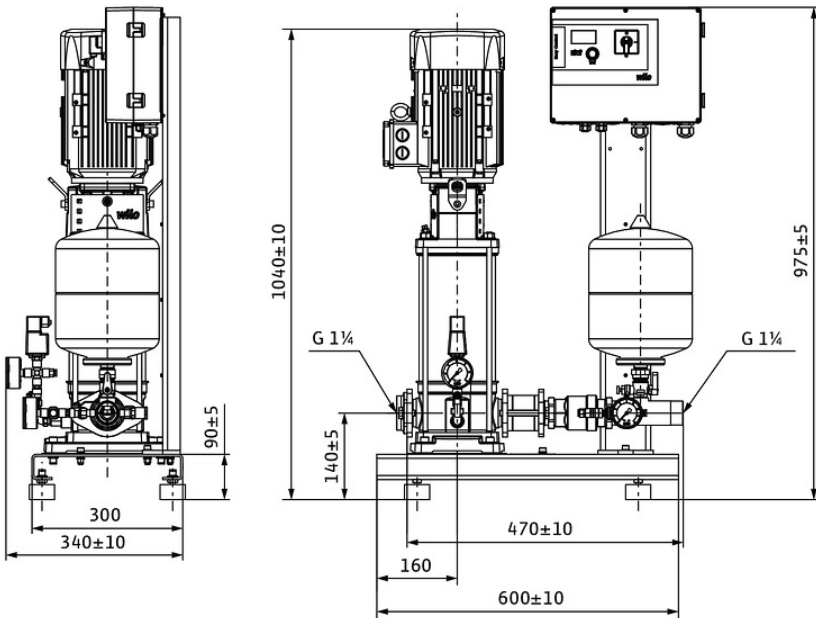
Pipe connection on the suction side	G 1 1/4, PN 10
Pipe connection (pressure side)	G 1 1/4, PN 16

Materials

Pump housing	1.4301
Impeller	1.4307
Shaft	1.4301
Shaft seal	Q1BE3GG
Gasket material	EPDM
Pipework material	1.4307

Information for order placements

Weight approx.	66 kg
Item number	2554850



Dimensions mm

Contact
E-mail
Phone

Customer

Contact
E-mail
Phone

Dimensions

Single-pump system
CO-1 Helix V 610/EC

Project ID

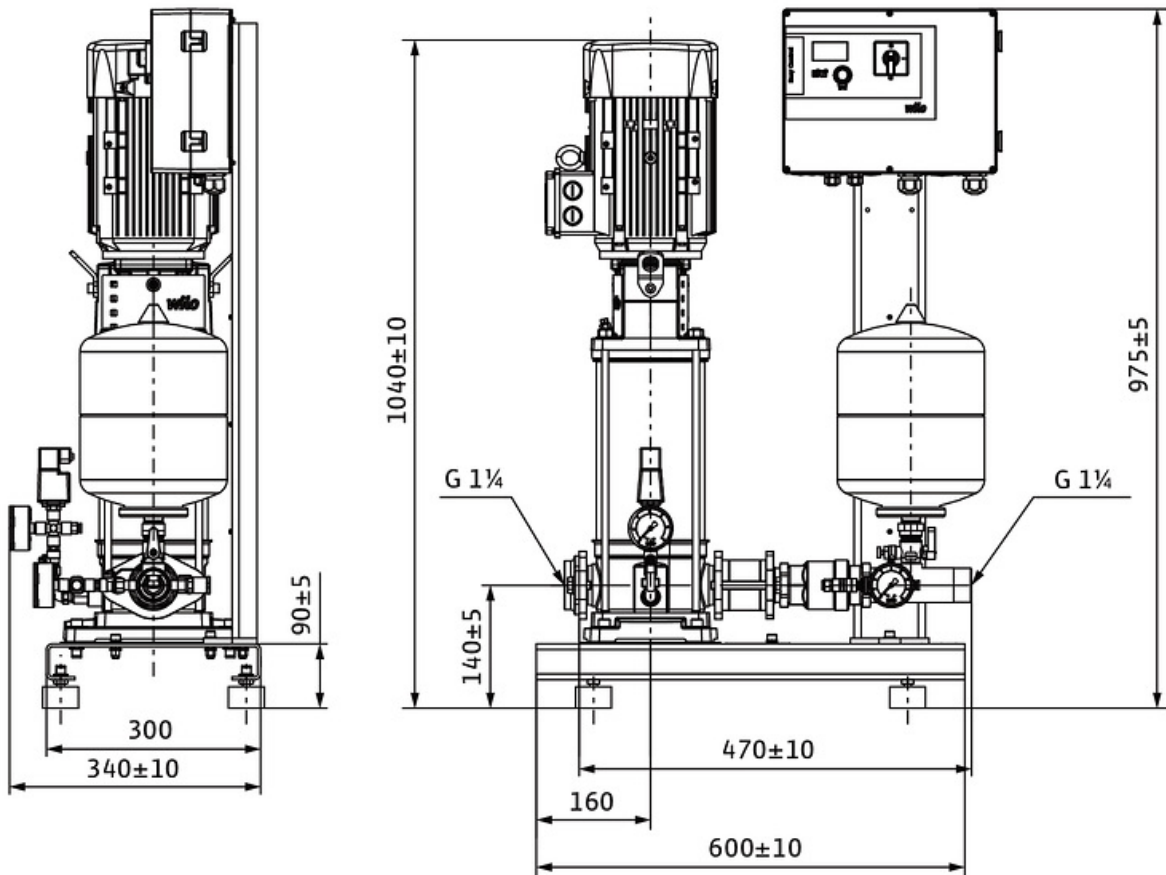
Untitled project 2025-03-03 10:19:29.207

Project name

Installation location

Customer pos. No.

Date 2025-03-03



Standard

Suction side G 1¼, PN 10/PN 16

Discharge side G 1¼, PN 10/PN 16

Dimensions mm

Name	Value	Name	Value	Name	Value	Name	Value
------	-------	------	-------	------	-------	------	-------