

Contact  
E-mail  
Phone

**Customer**

Contact  
E-mail  
Phone

## Dimensions

Glanded monobloc pump  
BM-S 32/230-9,2/2

Project ID

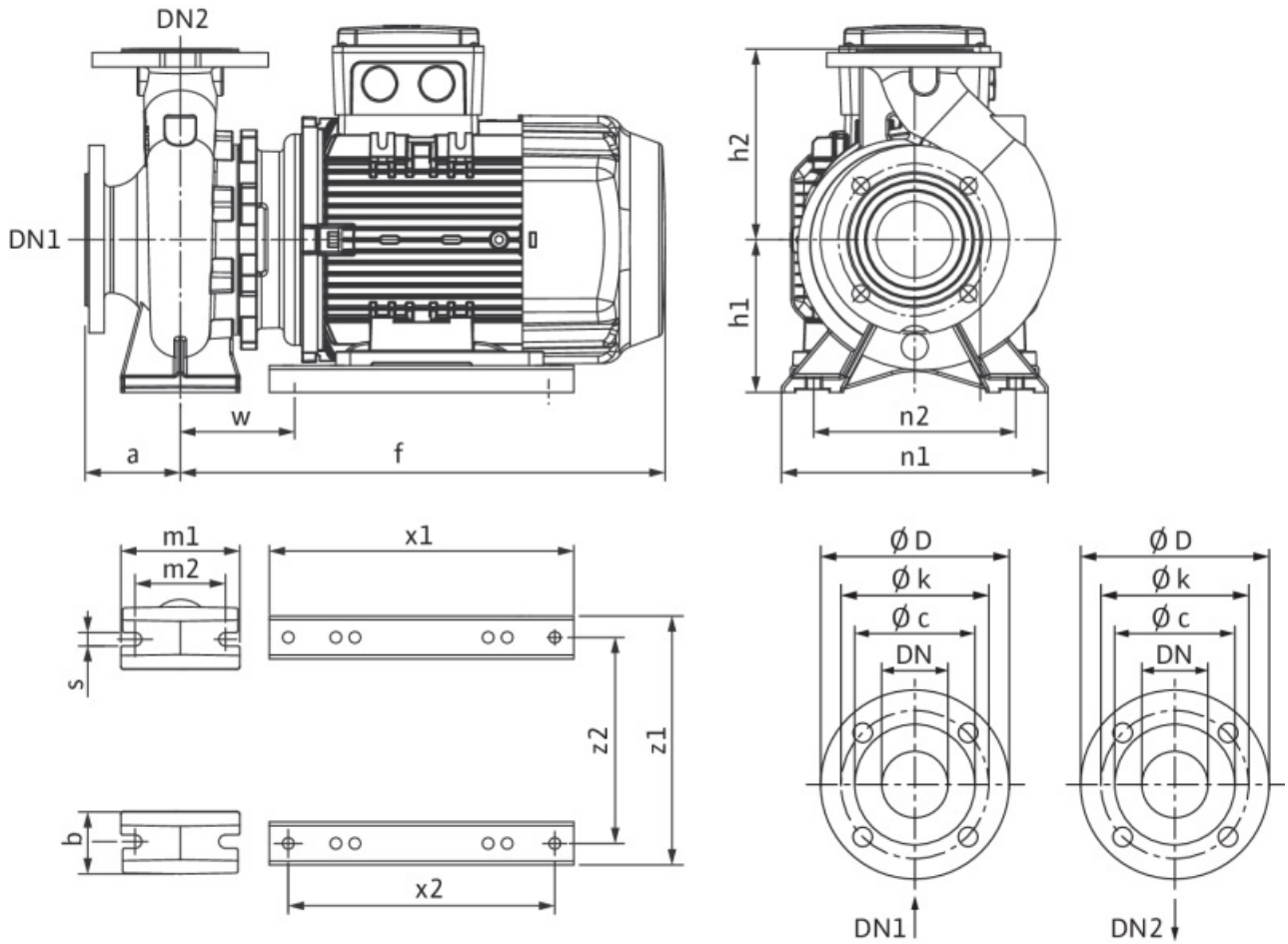
Untitled project 2025-03-01 21:27:50.947

Project name

Installation location

Customer pos. No.

Date 2025-03-01



**Standard**

Suction side DN 50, PN 10  
Discharge side DN 32, PN 10

**Dimensions** mm

Name	Value	Name	Value	Name	Value	Name	Value
a	100	h1	180	Ø k	100	z1	261
b	65	h2	225	ØD	165	z2	216
d	12	m1	125	ØD	140		
dL	18	m2	95	s	14		
DN1	DN 50, PN 10	n1	320	w	114		
DN2	DN 32, PN 10	n2	250	x1	320		
f	510	Ø k	125	x2	280		

**Customer**

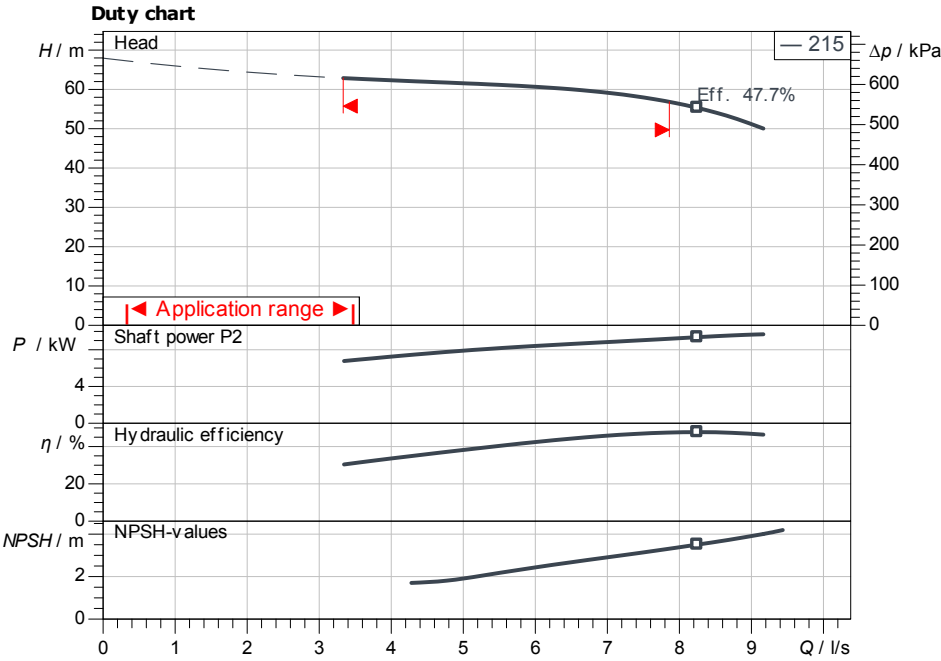
## Technical data

### Glanded monobloc pump BM-S 32/230-9,2/2

Project ID                      Untitled project 2025-03-01 21:27:50.947

Project name  
Installation location  
Customer pos. No.

Date                      2025-03-01



**Requested data**

Flow  
Head  
Media                      Water 100 %  
Fluid temperature                      20.00 °C  
Density                      998.30 kg/m<sup>3</sup>  
Kin. viscosity                      1.00 mm<sup>2</sup>/s

**Hydraulic data (Duty point)**

Flow  
Head  
Shaft power P2  
Hydraulic efficiency  
NPSH

**Product data**

Glanded monobloc pump  
BM-S 32/230-9,2/2  
Max. operating pressure                      1,000 kPa  
Fluid temperature                      -10 °C ... +90 °C  
Max. ambient temperature                      40 °C  
Minimum efficiency index (MEI)                      ≥ 0.4

**Motordata per Motor/Pump**

Motor efficiency level                      IE3  
Mains connection                      3~ 400 V / 50 Hz  
Permitted voltage tolerance                      + -10 %  
Rated speed                      2,900 1/min  
Rated power P2                      9.20 kW  
Rated current                      17.30 A  
Power factor                      0.87  
Efficiency                      50% / 75% / 100%                      89.7/ 90.6/90.7%  
Degree of protection                      IP55  
Insulation class                      F  
Motor protection                      No

**Fitting dimensions**

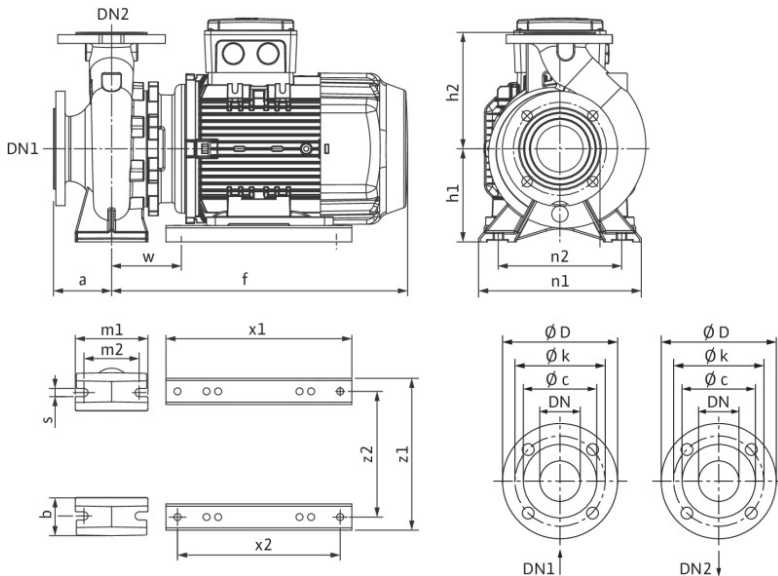
Pipe connection on the suction side                      DN 50, PN 10  
Pipe connection (pressure side)                      DN 32, PN 10  
Port to Port                      -

**Materials**

Pump housing                      1.4408  
Impeller                      1.4408  
Shaft                      1.4362  
Shaft seal                      Q1Q1VGG

**Information for order placements**

Weight approx.                      90 kg  
Item number                      2196582





Contact  
E-mail  
Phone

Customer

Contact  
E-mail  
Phone

## Hydraulic data

Glanded monobloc pump  
BM-S 32/230-9,2/2

Project ID                      Untitled project 2025-03-01 21:27:50.947

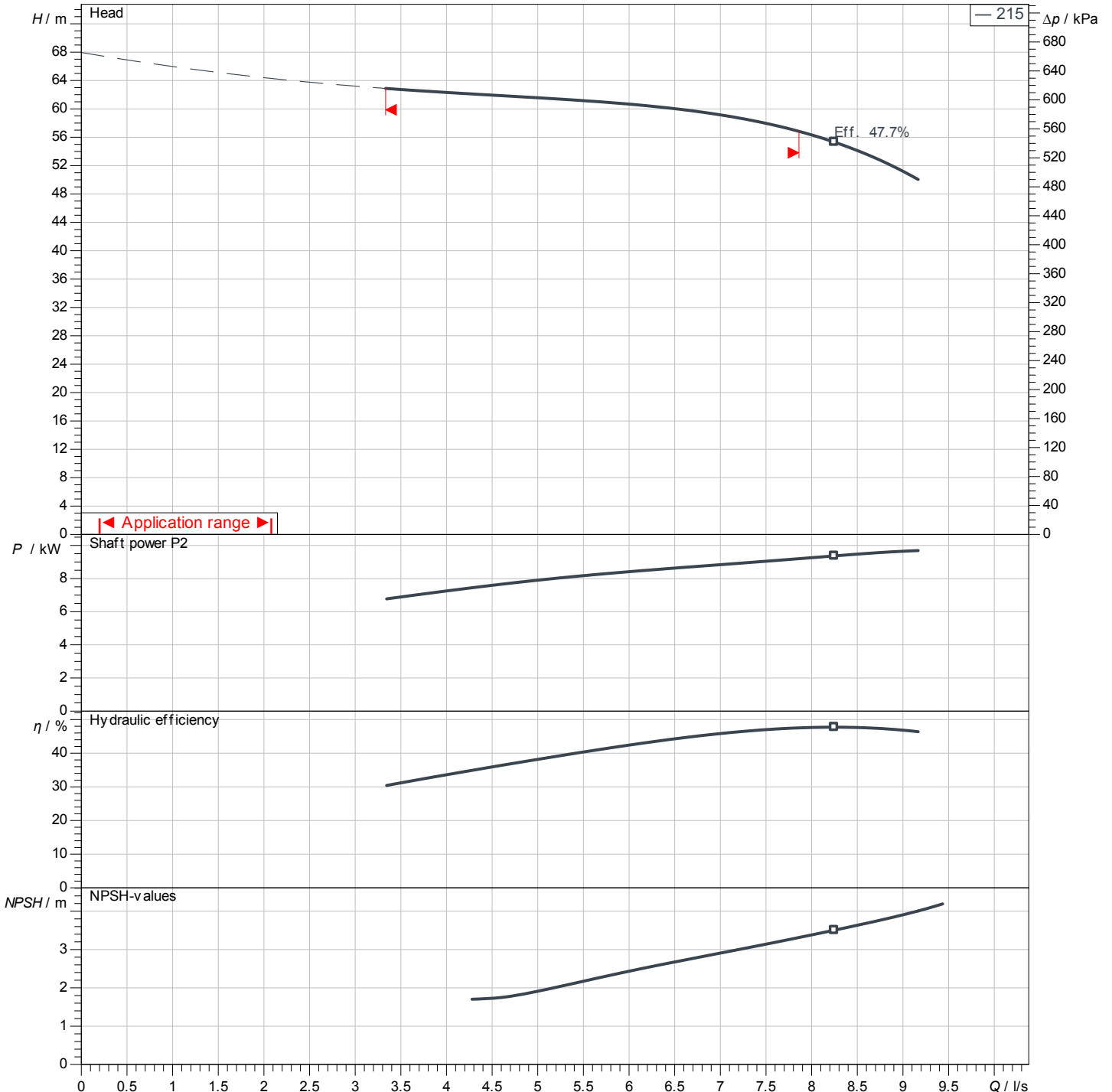
Project name  
Installation location  
Customer pos. No.

Date                      2025-03-01

## Operating data

Rotational speed <b>2900 1/min</b>	Frequency <b>50 Hz</b>	Duty point <b>Q =</b>	<b>H =</b>	Suction port <b>DN 50</b>	Discharge port <b>DN 32</b>
---------------------------------------	---------------------------	--------------------------	------------	------------------------------	--------------------------------

Power data referred to:                      Water; 20°C; 998.3kg/m<sup>3</sup>; 1.005mm<sup>2</sup>/s                      ±10 % tolerance with linear U/f frequency control



No test norm defined for this product