

**Customer**

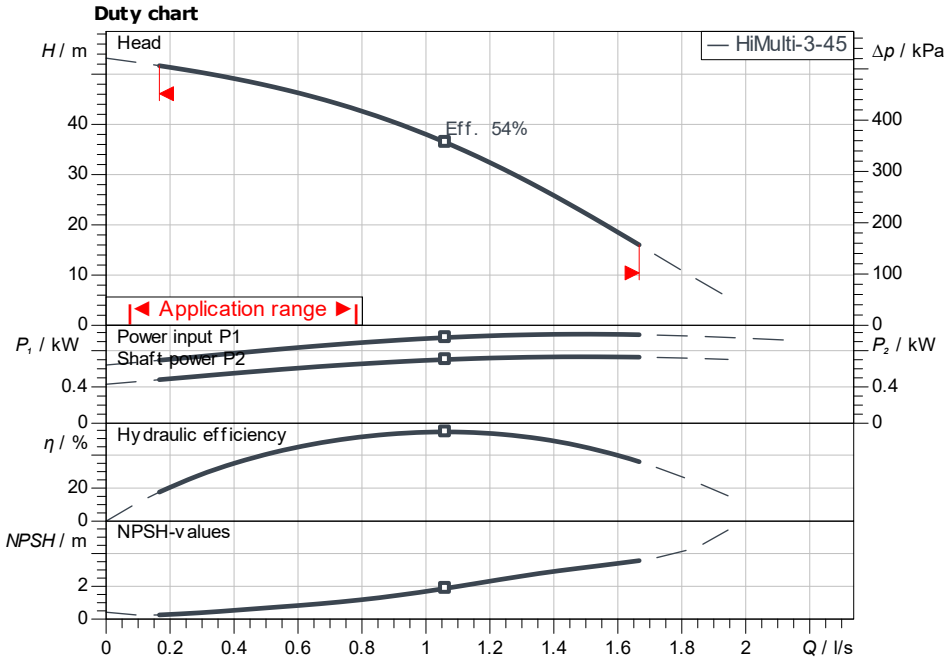
## Technical data

### High-pressure multistage centrifugal pump HiMulti 3-45 P/1/5/230

Project ID                      Untitled project 2025-03-03 15:12:38.853

Project name  
Installation location  
Customer pos. No.

Date                      2025-03-03



**Requested data**

Flow	
Head	
Media	Water 100 %
Fluid temperature	20.00 °C
Density	998.30 kg/m <sup>3</sup>
Kin. viscosity	1.00 mm <sup>2</sup> /s

**Hydraulic data (Duty point)**

Flow  
Head

**Product data**

High-pressure multistage centrifugal pump	
HiMulti 3-45 P/1/5/230	
Max. operating pressure	800 kPa
Inlet pressure max.	300 kPa
Fluid temperature	5 °C ... +35 °C
Max. ambient temperature	40 °C

**Motordata per Motor/Pump**

Mains connection	1 ~ 230 V / 50 Hz
Permitted voltage tolerance	+10/-15 %
Max. speed	2,900 1/min
Rated power P2	0.80 kW
Rated current	4.60 A
0	
Degree of protection	X4
Insulation class	F
Motor protection	PTO

**Fitting dimensions**

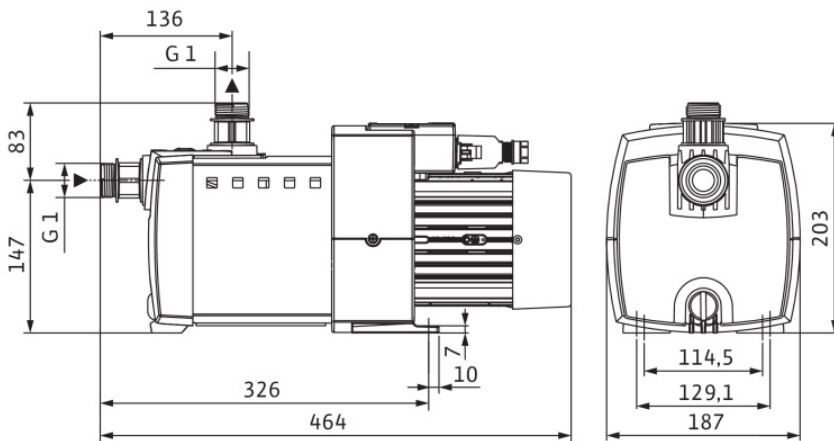
Pipe connection on the suction side	G 1, PN 8
Pipe connection (pressure side)	G 1, PN 8

**Materials**

Pump housing	PA6T/6I-GF40
Impeller	PPE/PS-GF30
Shaft	1.4021
Shaft seal	BVPFF
Gasket material	EPDM
Stage chamber material	PPE/PS-GF30

**Information for order placements**

Weight approx.	11 kg
Item number	4194284



**Dimensions**                      mm