

Customer

Technical data

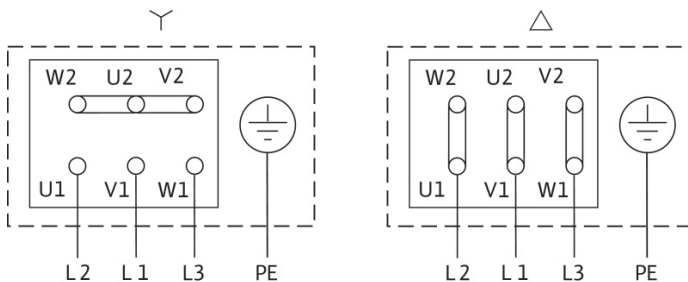
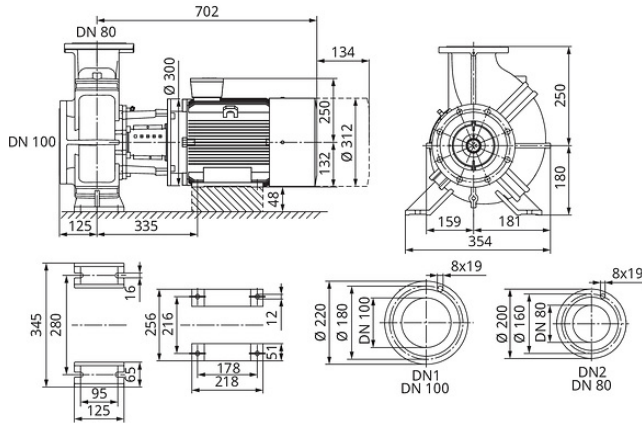
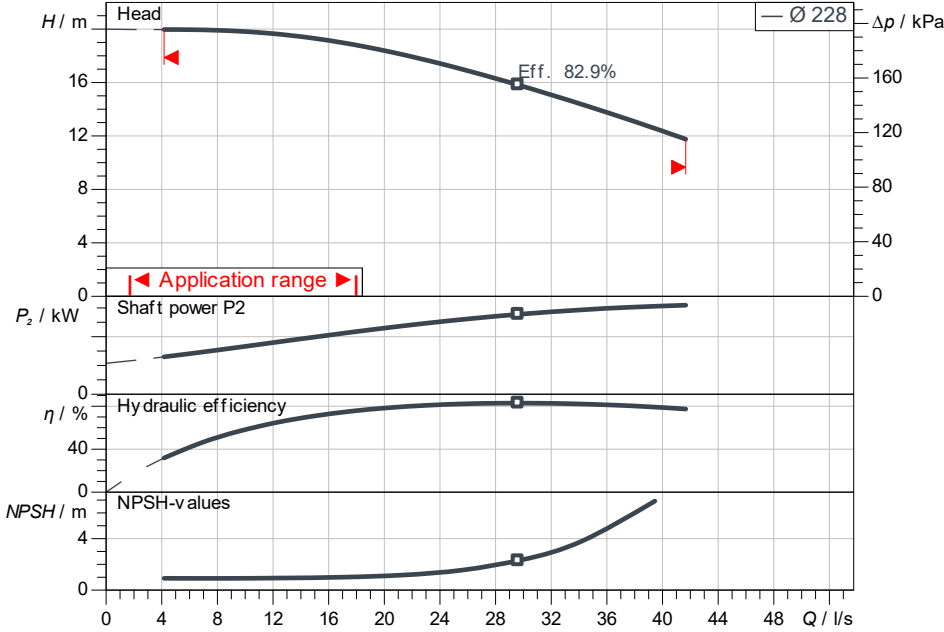
Glanded monobloc pump Atmos GIGA-B 80/200-7,5/4

Project ID Untitled project 2025-03-01 17:45:51.999

Project name
Installation location
Customer pos. No.

Date 2025-03-01

Duty chart



Requested data

Flow
Head
Media Water 100 %
Fluid temperature 20.00 °C
Density 998.30 kg/m³
Kin. viscosity 1.00 mm²/s

Hydraulic data (Duty point)

Flow
Head
Shaft power P₂
Hydraulic efficiency
NPSH

Product data

Glanded monobloc pump
Atmos GIGA-B 80/200-7,5/4
Max. operating pressure 1,600 kPa
Fluid temperature -20 °C ... +140 °C
Max. ambient temperature 40 °C
Minimum efficiency index (MEI) ≥ 0.4

Motordata per Motor/Pump

Motor efficiency level IE3
Mains connection 3~ 400 V / 50 Hz
Permitted voltage tolerance + -10 %
Rated speed 1,450 1/min
Rated power P₂ 7.50 kW
Rated current 16.00 A
Power factor 0.81
Efficiency 50% / 75% / 100% 87.4 / 89.3 / 89.8 %
Degree of protection IP55
Insulation class F
Motor protection PTC integrated

Fitting dimensions

Pipe connection on the suction side DN 100, PN 16
Pipe connection (pressure side) DN 80, PN 16
Port to Port -

Materials

Pump housing 5.1301, EN-GJL-250 cataphoretic-coated
Impeller EN-GJL-200
Lantern 5.1301/EN-GJL-250
Shaft 1.4122
Shaft seal AQ1EGG

Information for order placements

Weight approx. 163 kg
Item number 2213914