

**Customer**

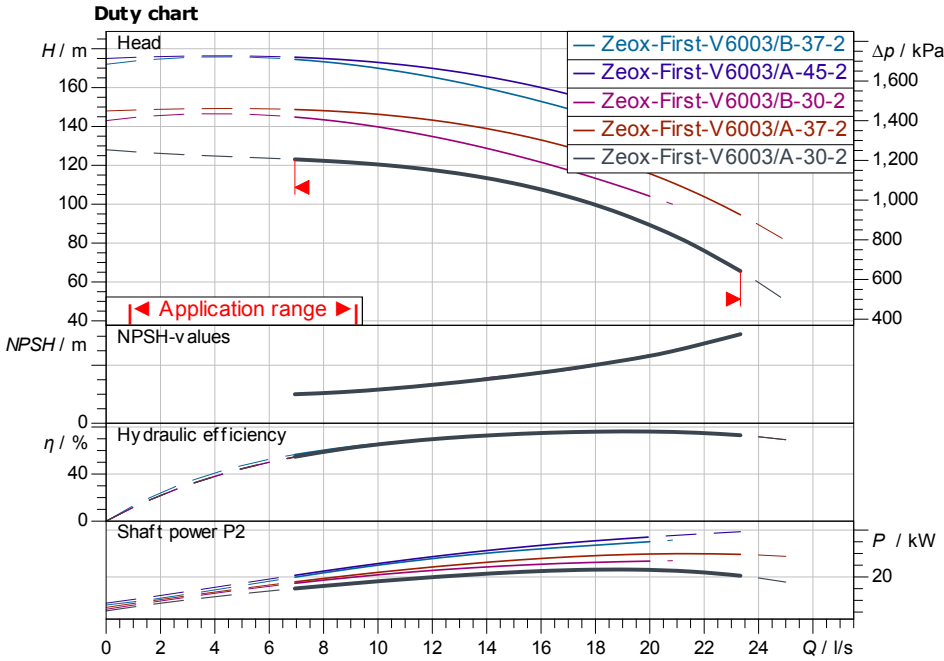
## Technical data

### High-pressure multistage centrifugal pump Zeox-FIRST V 6003/A-37-2

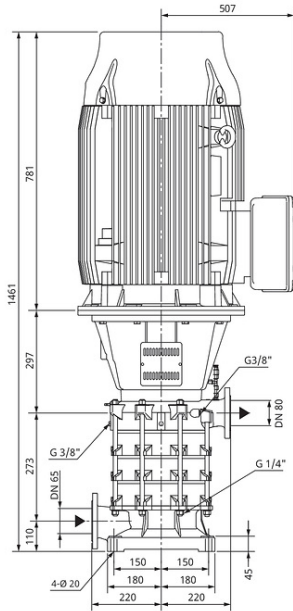
Project ID                      Untitled project 2025-03-04 09:37:01.987

Project name  
Installation location  
Customer pos. No.

Date                      2025-03-04



ISO 9906: 2012 3B



**Dimensions**                      mm

**Requested data**

|                   |                          |
|-------------------|--------------------------|
| Flow              |                          |
| Head              |                          |
| Media             | Water 100 %              |
| Fluid temperature | 20.00 °C                 |
| Density           | 998.30 kg/m <sup>3</sup> |
| Kin. viscosity    | 1.00 mm <sup>2</sup> /s  |

**Hydraulic data (Duty point)**

|                      |  |
|----------------------|--|
| Flow                 |  |
| Head                 |  |
| Shaft power P2       |  |
| Hydraulic efficiency |  |
| NPSH                 |  |

**Product data**

|   |                  |
|---|------------------|
| High-pressure multistage centrifugal pump<br>Zeox-FIRST V 6003/A-37-2 |                  |
| Max. operating pressure   | 2,700 kPa        |
| Fluid temperature   | -5 °C ... +90 °C |
| Max. ambient temperature  | 40 °C            |
| Minimum efficiency index (MEI)  | ≥ 0.4            |

**Motordata per Motor/Pump**

|                             |                  |
|-----------------------------|------------------|
| Motor efficiency level      | IE3              |
| Mains connection            | 3~ 400 V / 50 Hz |
| Permitted voltage tolerance | + -10 %          |
| Max. speed                  | 2,900 1/min      |
| Rated power P2              | 37.00 kW         |
| Rated current               | 67.80 A          |
| Power factor                | 0.84             |
| Efficiency                  | 50% / 75% / 100% |
|                             | 92.6/93.8/93.8%  |
| Degree of protection        | IP55             |
| Insulation class            | F                |
| Motor protection            |                  |

**Fitting dimensions**

|                                     |              |
|-------------------------------------|--------------|
| Pipe connection on the suction side | DN 80, PN 16 |
| Pipe connection (pressure side)     | DN 65, PN 40 |
| Port to Port                        |              |

**Materials**

|                 |                   |
|-----------------|-------------------|
| Pump housing    | 5.1301/EN-GJL-250 |
| Shaft           | 1.6510            |
| Shaft seal      | U2BPFG            |
| Gasket material | NBR               |
| Impeller        | EN-GJL-200        |

**Information for order placements**

|                |         |
|----------------|---------|
| Weight approx. |         |
| Item number    | 4191942 |

Contact  
E-mail  
Phone

**Customer**

Contact  
E-mail  
Phone

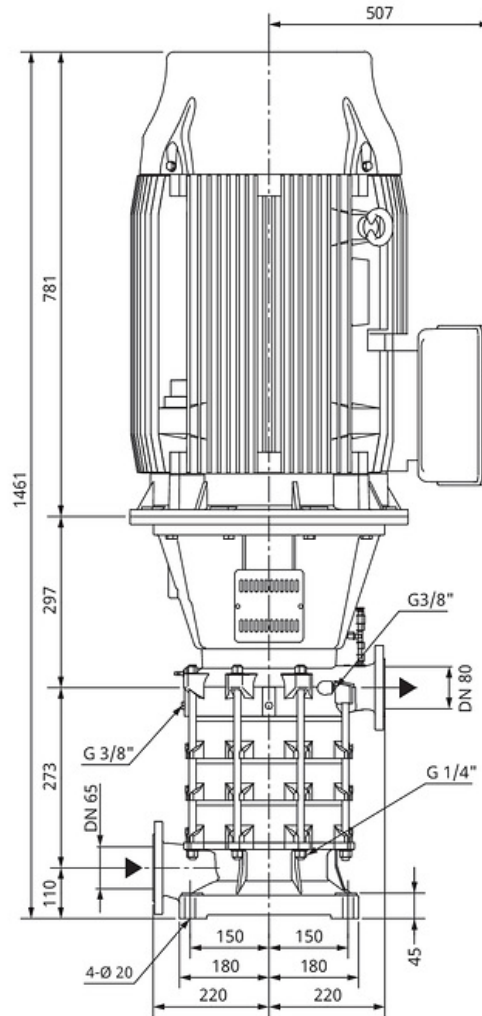
## Dimensions

High-pressure multistage centrifugal pump  
Zeox-FIRST V 6003/A-37-2

Project ID                      Untitled project 2025-03-04 09:37:01.987

Project name  
Installation location  
Customer pos. No.

Date                      2025-03-04



Standard

Suction side                      DN 80, PN 16/PN 40  
Discharge side                      DN 65, PN 16/PN 40

**Dimensions**                      mm

| Name | Value | Name | Value | Name | Value | Name | Value |
|------|-------|------|-------|------|-------|------|-------|
|------|-------|------|-------|------|-------|------|-------|