

Customer

Technical data

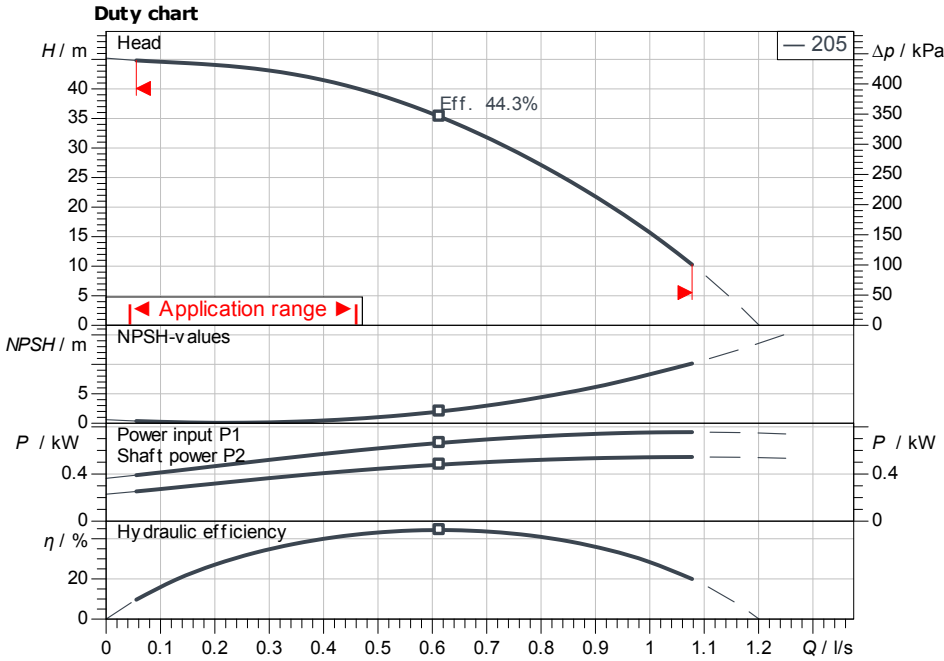
Single-pump system

Isar MODH1-1CH1-L-205/EC

Project ID: Untitled project 2025-03-03 22:14:23.954

Project name
Installation location
Customer pos. No.

Date: 2025-03-03



Requested data

Flow	
Head	
Media	Water 100 %
Fluid temperature	20.00 °C
Density	998.30 kg/m ³
Kin. viscosity	1.00 mm ² /s

Hydraulic data (Duty point)

Flow	
Head	
Shaft power P2	

Product data

Single-pump system	
Isar MODH1-1CH1-L-205/EC	
Control	Without frequency conversion
No. of pumps	1
Max. operating pressure	1,000 kPa
Inlet pressure max.	6 bar
Fluid temperature	3 °C ... +60 °C
Max. ambient temperature	40 °C
Protection class motor	IP55
Protection class of switchgear	IP54
Diaphragm pressure vessel	Yes
Low-water cut-out switchgear	No

Motordata per Motor/Pump

Motor efficiency level	IE2
Mains connection	3~ 400 V / 50 Hz
Permitted voltage tolerance	+/- 10 %
Max. speed	2,900 1/min
Rated power P2	0.55 kW
Rated current	1.50 A

Efficiency	66.1/71.4/74.1%
Insulation class	F
Motor protection	

Fitting dimensions

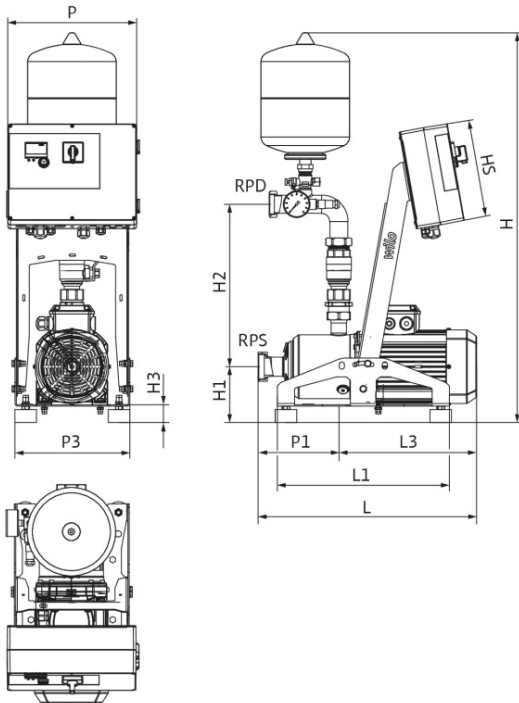
Pipe connection on the suction side	G 1 1/4, PN 10
Pipe connection (pressure side)	G 1 1/4, PN 10

Materials

Pump housing	1.4301
Impeller	1.4301
Shaft	1.4301
Shaft seal	BQ1E3GG
Gasket material	EPDM
Pipework material	1.4301/CW617N

Information for order placements

Weight approx.	28 kg
Item number	2551898



Dimensions mm

DNd	G 1 1/4, PN	H3	40	P	300
DNs	G 1 1/4, PN	HS	230	P1	146
H	864	L	428	P3	267
H1	130	L3	281		
H2	342	LS	110		

