

Customer

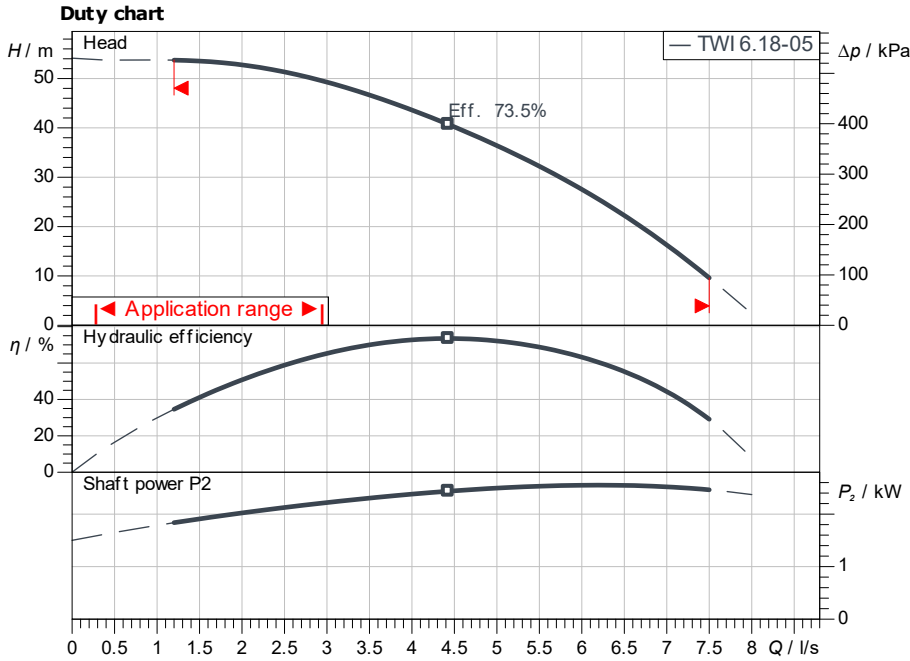
Technical data

Submersible pump Sub TWI 6.18-05-D

Project ID Untitled project 2025-03-17 07:47:37.014

Project name
Installation location
Customer pos. No.

Date 2025-03-17



Requested data

Flow	
Head	
Media	Water 100 %
Fluid temperature	20.00 °C
Density	998.30 kg/m ³
Kin. viscosity	1.00 mm ² /s

Hydraulic data (Duty point)

Flow	
Head	
Shaft power P2	
Hydraulic efficiency	
Power input P1	

Product data

Submersible pump	
Sub TWI 6.18-05-D	
Max. operating pressure	4,000 kPa
Fluid temperature	3 °C ... +30 °C
Minimum efficiency index (MEI)	≥ 0.4
Max. pump diameter	131 mm

Motordata per Motor/Pump

Mains connection	3~400 V / 50 Hz
Type of motor	Submersible motor
Activation type	Direct On Line (DOL)
Min. flow at the motor	0.08 m/s
Motor diameter	95.25 mm
Permitted voltage tolerance	+5 %
Nominal speed	2,845 1/min
Rated power P2	3.00 kW
Rated current	7.60 A
Power factor	0.77
Degree of protection	IP68
Insulation class	B

Cable

Length of connecting cable	1.5 m
Cable type	3x1,5+1G1,5

Fitting dimensions

Discharge size	Rp 2 1/2
Flange standard	-

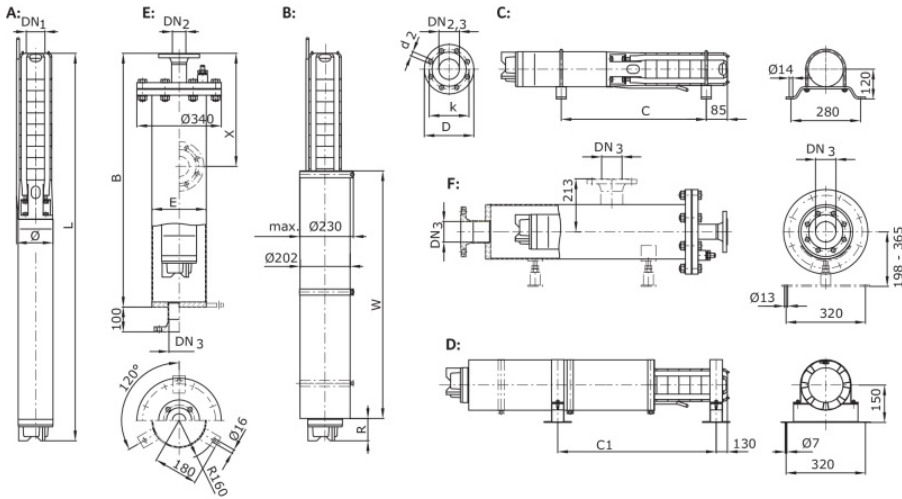
Materials

Pump housing	1.4301
Motor housing	1.4301
Shaft	1.4057
Impeller	1.4301

Information for order placements

Weight approx.	24.6 kg
Item number	6091440

Approval



Dimensions

		mm		
B	1,350	L	976	
c	760	W	650	
C1	737			
e	219.1			