

Customer

Technical data

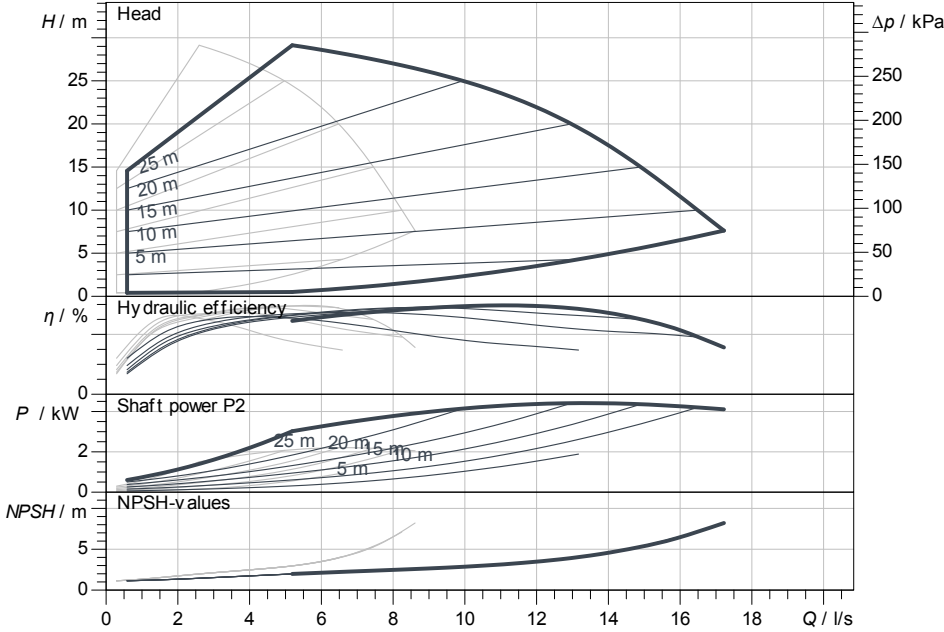
Multi-pump system COR 2 MHIE 1602/SCe DM

Project ID: Untitled project 2025-03-02 21:36:12.726

Project name
Installation location
Customer pos. No.

Date: 2025-03-02

Duty chart



Requested data

Flow
Head
Media: Water 100 %
Fluid temperature: 20.00 °C
Density: 998.30 kg/m³
Kin. viscosity: 1.00 mm²/s

Hydraulic data (Duty point)

Flow
Head
Shaft power P2

Product data

Multi-pump system
COR 2 MHIE 1602/SCe DM
Control: With frequency converter
No. of pumps: 2
Max. operating pressure: 1,000 kPa
Inlet pressure max.: 6 bar
Fluid temperature: 3 °C ... +50 °C
Max. ambient temperature: 40 °C
Diaphragm pressure vessel: Yes
Low-water cut-out switchgear: Yes

Control

Mains connection: 3~380/400 V
50, 60 Hz
Protection class of switchgear: IP54

Motordata per Motor/Pump

Motor efficiency level: IE3
Rated power P2: 2.20 kW
Rated current: 5.60 A
Efficiency: 50% / 75% / 100% → 84/85.5/86.5%
Protection class motor: IP54
Insulation class: F
Motor protection: Yes

Fitting dimensions

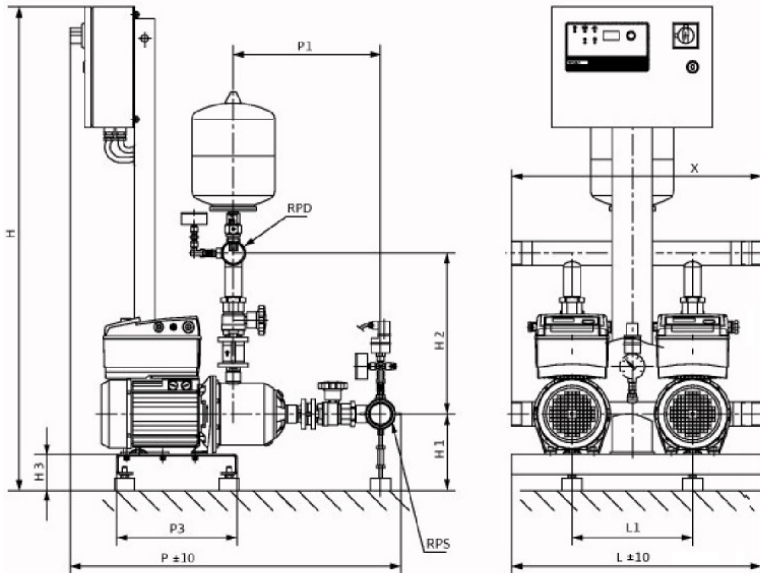
Pipe connection on the suction side: R 3, PN 6
Pipe connection (pressure side): R 3, PN 10

Materials

Pump housing: 1.4301
Impeller: 1.4301
Shaft: 1.4301
Shaft seal: BQ1E3GG
Gasket material: EPDM
Pipework material: 1.4404

Information for order placements

Weight approx.: 113 kg
Item number: 29992346



Dimensions mm

DNd	R 3, PN 1	H3	90	P	862
DNs	R 3, PN 6	HS	400	P1	402
H	1,203	L	600	P3	300
H1	180	L1	300	X	600
H2	392	LS	400		

Contact
E-mail
Phone

Customer

Contact
E-mail
Phone

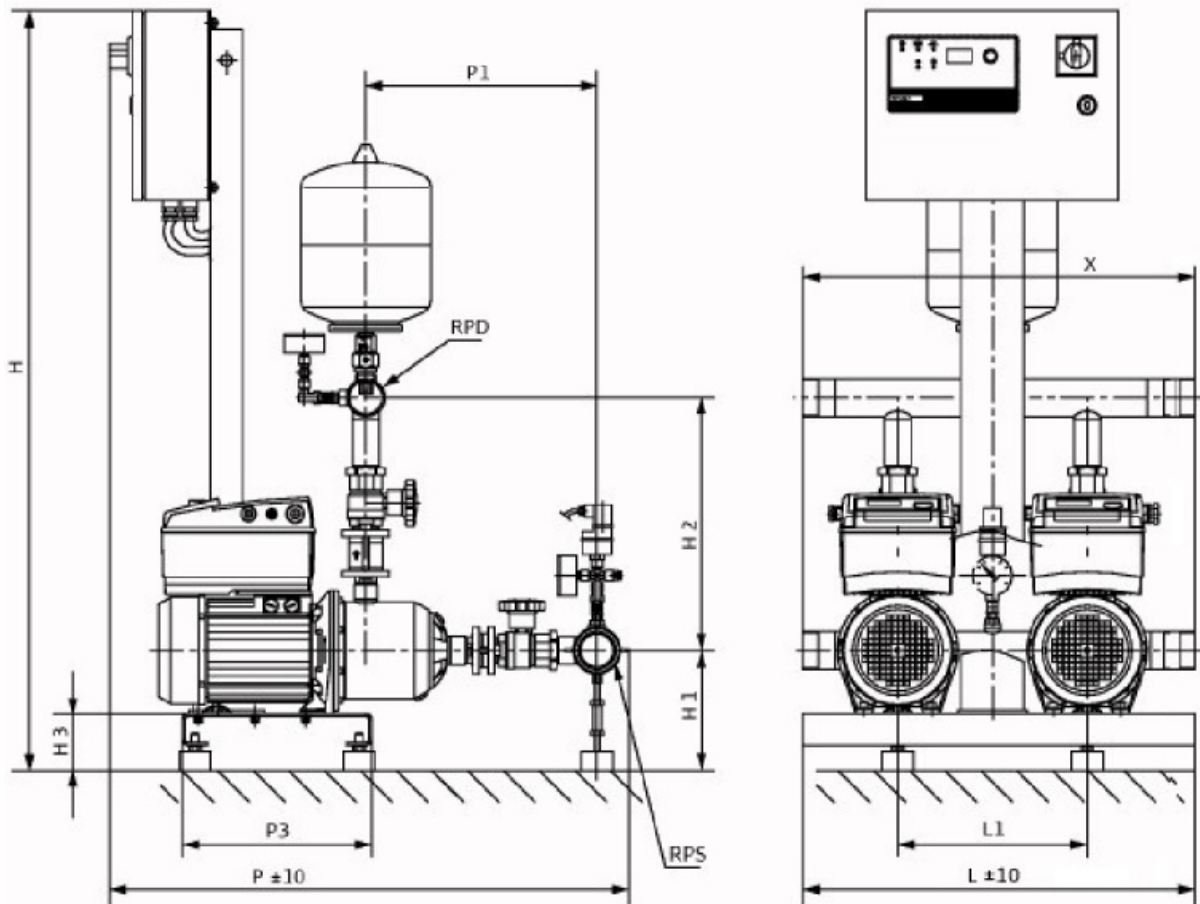
Dimensions

Multi-pump system
COR 2 MHIE 1602/SCe DM

Project ID Untitled project 2025-03-02 21:36:12.726

Project name
Installation location
Customer pos. No.

Date 2025-03-02



Standard

Suction side R 3, PN 6/PN 10
Discharge side R 3, PN 6/PN 10

Dimensions mm

Name	Value	Name	Value	Name	Value	Name	Value
DNd	R 3, PN 10	L	600				
DNs	R 3, PN 6	L1	300				
H	1,203	LS	400				
H1	180	P	862				
H2	392	P1	402				
H3	90	P3	300				
HS	400	X	600				