

**Customer**

# Technical data

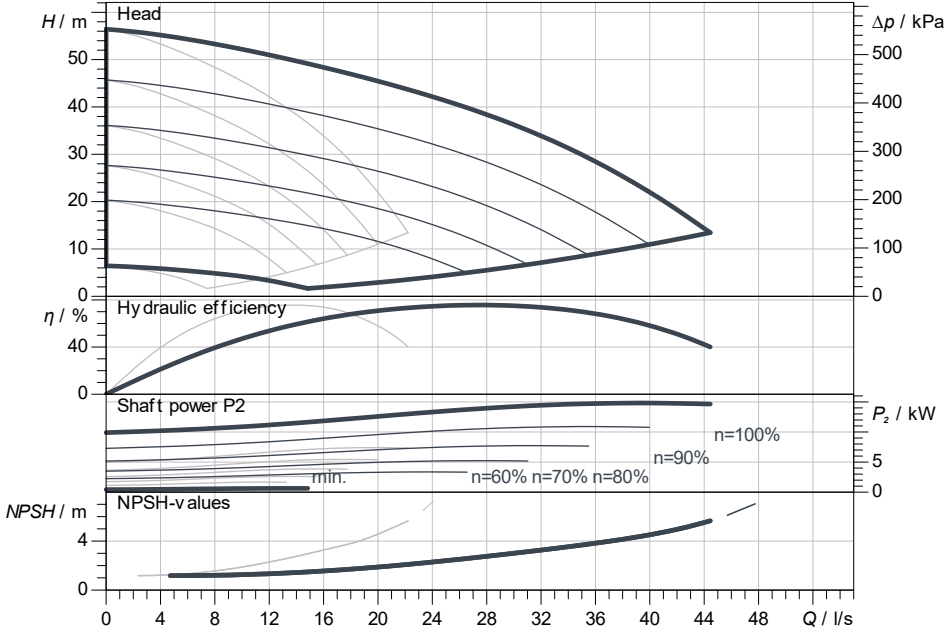
## Multi-pump system SiBoost Smart 2 HELIX VE 5202

Project ID: Untitled project 2025-03-04 01:04:54.425

Project name  
Installation location  
Customer pos. No.

Date: 2025-03-04

### Duty chart



### Requested data

Flow	
Head	
Media	Water 100 %
Fluid temperature	20.00 °C
Density	998.30 kg/m <sup>3</sup>
Kin. viscosity	1.00 mm <sup>2</sup> /s

### Hydraulic data (Duty point)

Flow	
Head	
Shaft power P2	

### Product data

Multi-pump system	
SiBoost Smart 2 HELIX VE 5202	
Control	With frequency converter
No. of pumps	2
Max. operating pressure	1,600 kPa
Inlet pressure max.	10 bar
Fluid temperature	3 °C ... +50 °C
Max. ambient temperature	40 °C
Protection class motor	IP55
Protection class of switchgear	IP54
Diaphragm pressure vessel	Yes
Low-water cut-out switchgear	No

### Motordata per Motor/Pump

Motor efficiency level	IE4
Mains connection	3~ 400 V / 50 Hz
Permitted voltage tolerance	400/50: +/- 10%, 380/60
Max. speed	2,900 1/min
Rated power P2	7.50 kW
Rated current	12.00 A

Efficiency	
50% / 75% / 100%	90.6/91.6/91.7%
Insulation class	F
Motor protection	Yes

### Fitting dimensions

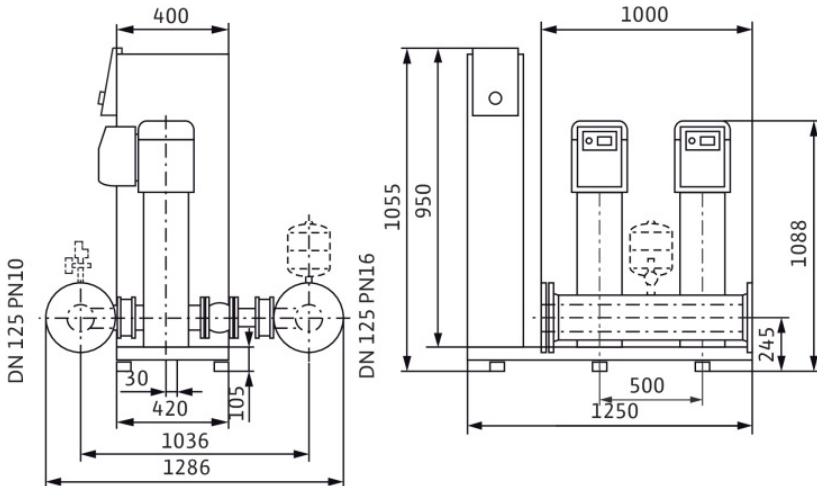
Pipe connection on the suction side	DN 125, PN 10
Pipe connection (pressure side)	DN 125, PN 16

### Materials

Pump housing	5.1301/EN-GJL-250
Impeller	1.4307
Shaft	1.4057
Shaft seal	Q1BE3GG
Gasket material	EPDM
Pipework material	1.4307

### Information for order placements

Weight approx.	452 kg
Item number	29991806



**Dimensions** mm

Contact  
E-mail  
Phone

**Customer**

Contact  
E-mail  
Phone

## Dimensions

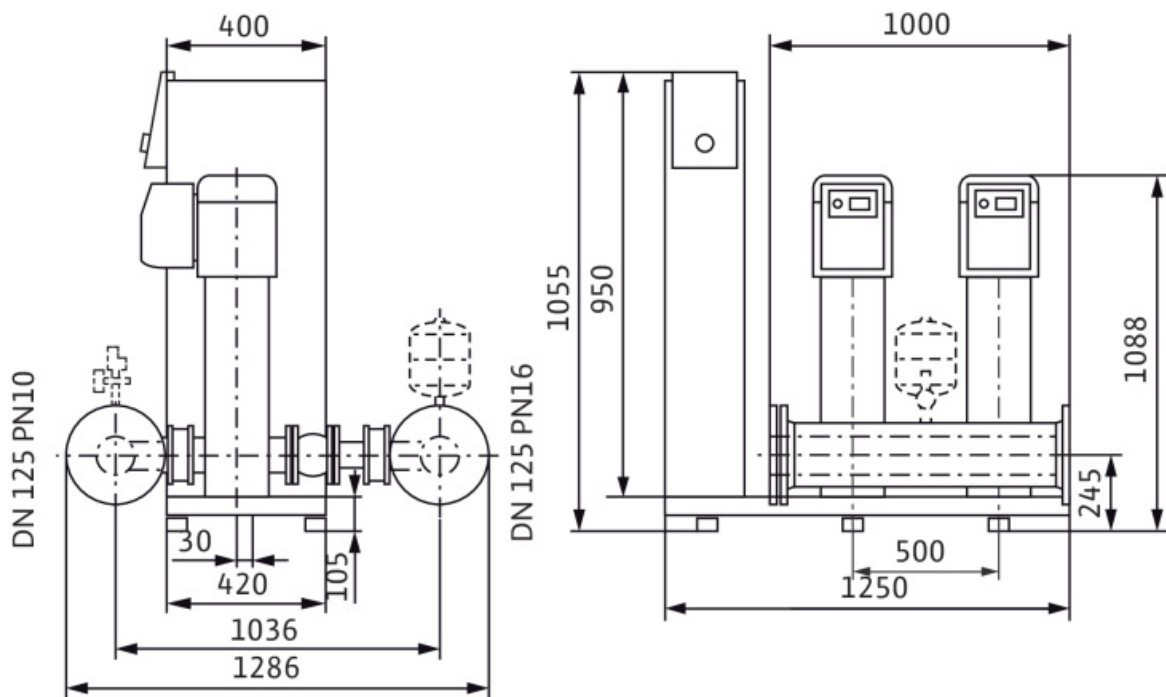
### Multi-pump system

SiBoost Smart 2 HELIX VE 5202

Project ID                      Untitled project 2025-03-04 01:04:54.425

Project name  
Installation location  
Customer pos. No.

Date                      2025-03-04



Standard

Suction side                      DN 125, PN 10/PN 16

Discharge side                      DN 125, PN 10/PN 16

**Dimensions**                      mm

Name	Value	Name	Value	Name	Value	Name	Value
------	-------	------	-------	------	-------	------	-------