

Customer

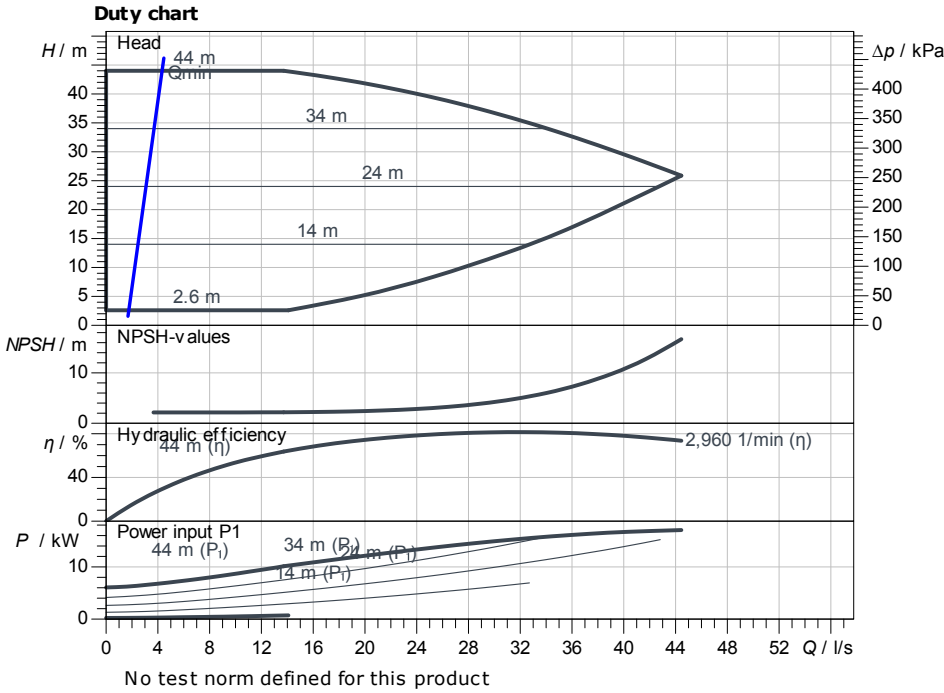
Technical data

Glanded standard high-efficiency pump Yonos GIGA-N 65/160-15/2-R1

Project ID: Untitled project 2025-03-04 09:37:01.987

Project name
Installation location
Customer pos. No.

Date: 2025-03-04



Requested data

Flow
Head
Media: Water 100 %
Fluid temperature: 20.00 °C
Density: 998.30 kg/m³
Kin. viscosity: 1.00 mm²/s

Hydraulic data (Duty point)

Flow
Head
Shaft power P2
Hydraulic efficiency
NPSH
Impeller size

Product data

Glanded standard high-efficiency pump
Yonos GIGA-N 65/160-15/2-R1
Max. operating pressure: 1,600 kPa
Fluid temperature: -20 °C ... +140 °C
Max. ambient temperature: 40 °C
Minimum efficiency index (MEI): ≥ 0.4

Motordata per Motor/Pump

Motor efficiency level: IE4
Mains connection: 3~ 400 V / 50 Hz
Permitted voltage tolerance: +10 %
Max. speed: 2,955 1/min
Rated power P2: 15.00 kW
Rated current: 26.00 A
Power factor: 0.94
Efficiency: 50% / 75% / 100% // %
Degree of protection: IP55
Insulation class: F
Motor protection: PTC integrated

Fitting dimensions

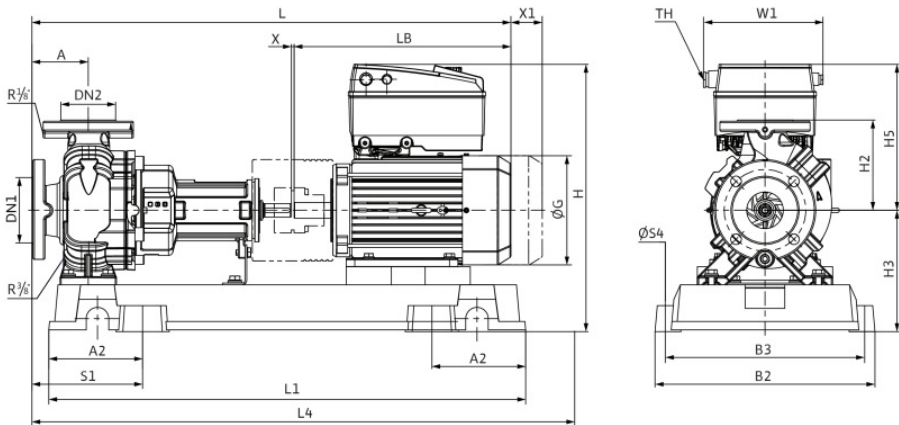
Pipe connection on the suction side: DN 80, PN 16
Pipe connection (pressure side): DN 65, PN 16
Port to Port

Materials

Pump housing: 5.1301/EN-GJL-250
Impeller: EN-GJL-200
Lantern: 5.1301/EN-GJL-250
Shaft: 1.4021
Shaft seal: AQ1EGG

Information for order placements

Weight approx.: 264 kg
Item number: 6088958



Dimensions

mm

A	100	DN1	DN 80, P	H5	505	L4	1,160
A2	205	DN2	DN 65, P	L	1,187	LB	627
B1	0	H	768	L1	1,150	ØG	313
B2	490	H2	200	L2	205	S1	215
B3	440	H3	263	L3	740	S4	24

Customer

Hydraulic data

Glanded standard high-efficiency pump
Yonos GIGA-N 65/160-15/2-R1

Project ID: Untitled project 2025-03-04 09:37:01.987

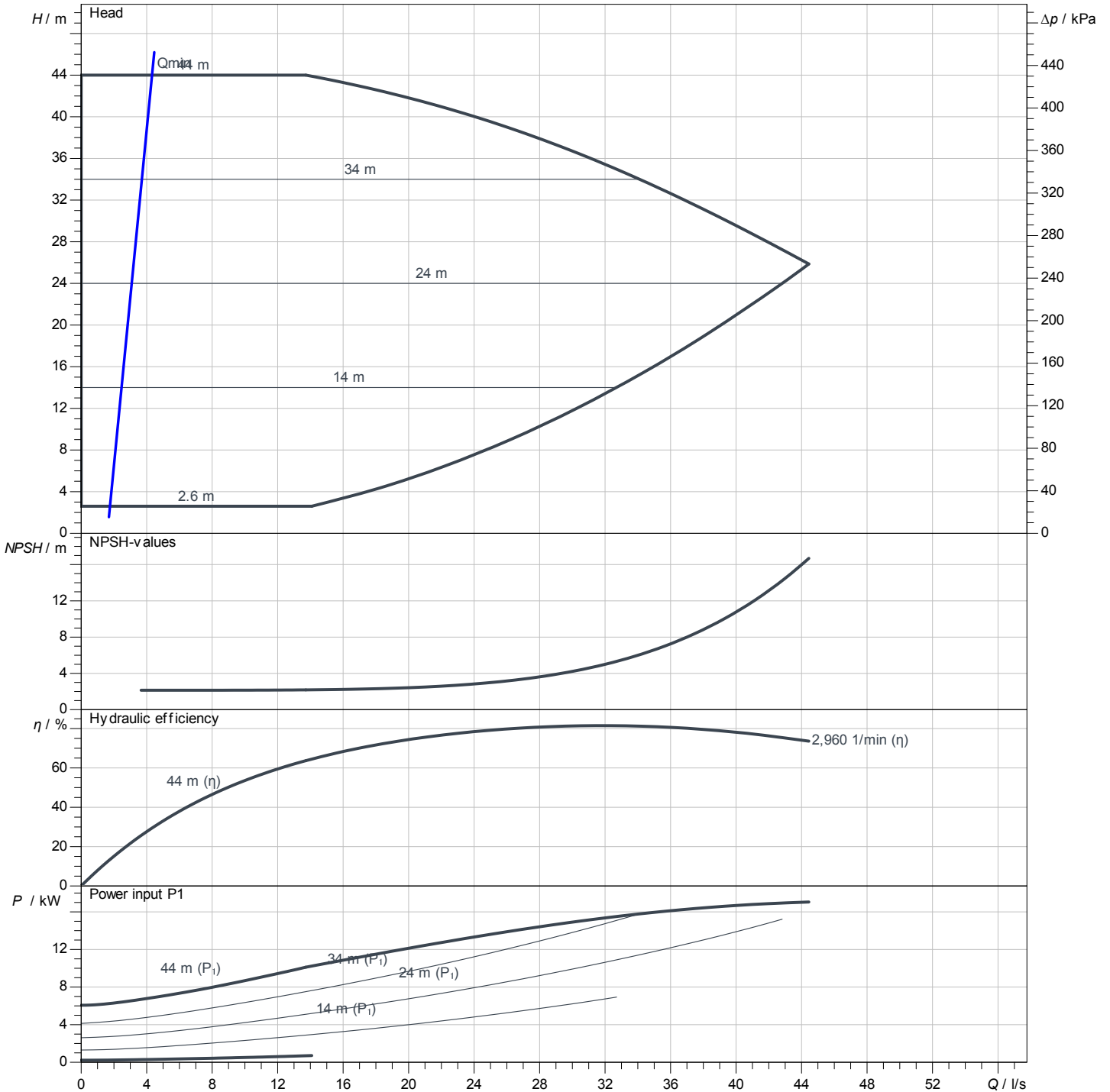
Project name
Installation location
Customer pos. No.

Date 2025-03-04

Operating data

Rotational speed 2960 1/min	Frequency 50 Hz	Duty point Q =	H =	Suction port DN 80	Discharge port DN 65
---------------------------------------	---------------------------	--------------------------	------------	------------------------------	--------------------------------

Power data referred to: Water; 20°C; 998.3kg/m³; 1.005mm²/s ±10 % tolerance with linear U/f frequency control



No test norm defined for this product

Customer

Dimensions

Glanded standard high-efficiency pump
Yonos GIGA-N 65/160-15/2-R1

Project ID

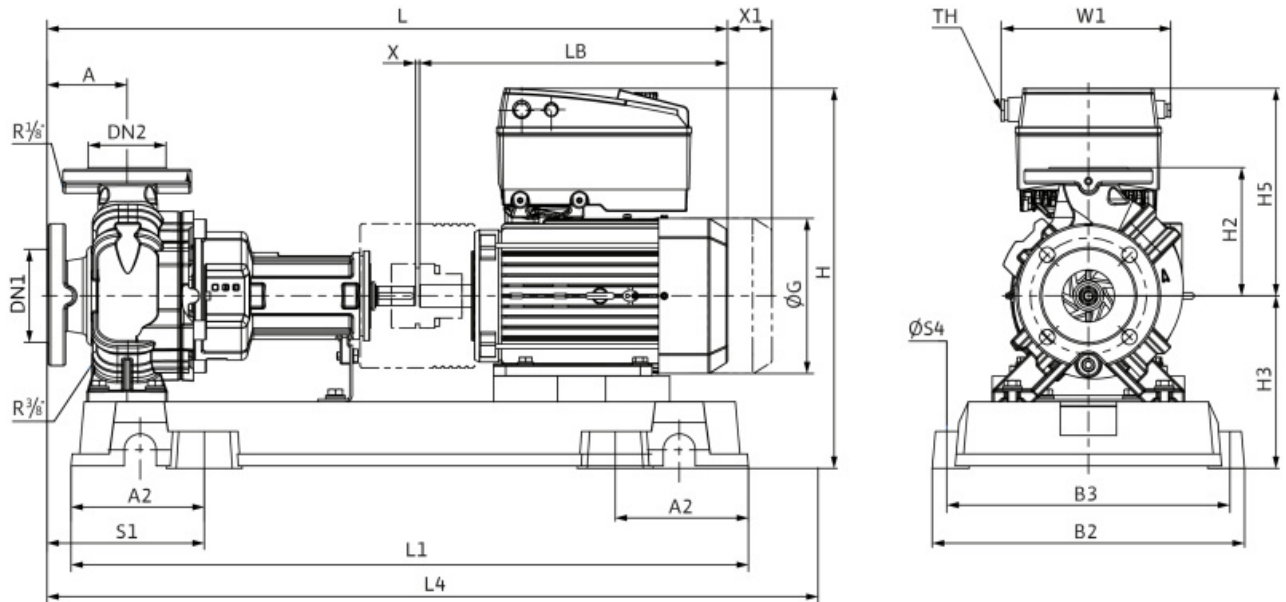
Untitled project 2025-03-04 09:37:01.987

Project name

Installation location

Customer pos. No.

Date 2025-03-04



Coupling with spacer

Suction side DN 80, PN 16

Discharge side DN 65, PN 16

Dimensions mm

Name	Value	Name	Value	Name	Value	Name	Value
A	100	H	768	L3	740	X	100
A2	205	H2	200	L4	1,160	X1	100
B1	0	H3	263	LB	627		
B2	490	H5	505	ØG	313		
B3	440	L	1,187	S1	215		
DN1	DN 80, PN 16	L1	1,150	S4	24		
DN2	DN 65, PN 16	L2	205	W1	307.6		