

**Customer**

# Technical data

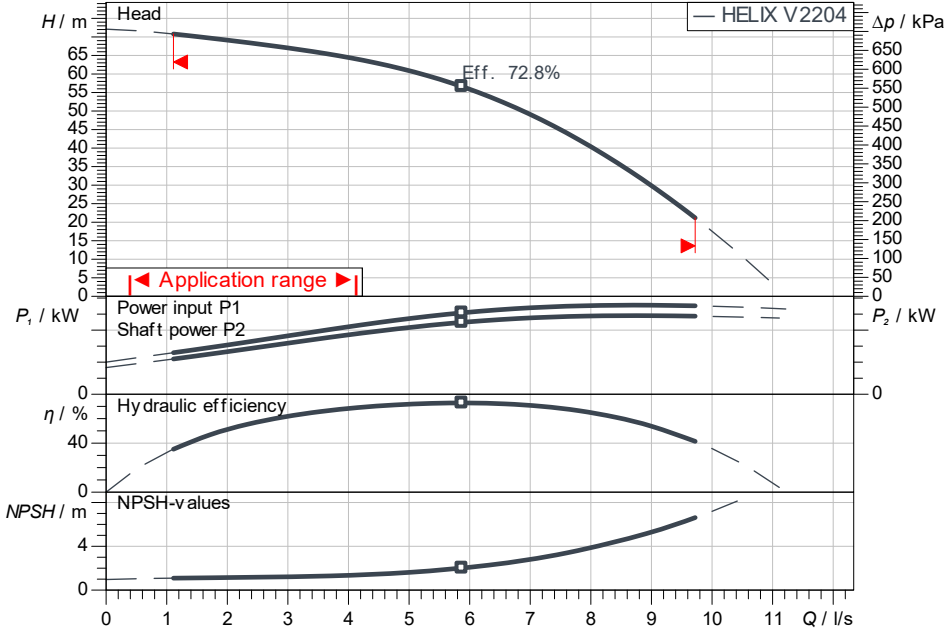
## High-pressure multistage centrifugal pump Helix FIRST V 2204-5/16/E/S/400-50

Project ID: Untitled project 2025-03-03 14:15:38.327

Project name  
Installation location  
Customer pos. No.

Date: 2025-03-03

### Duty chart

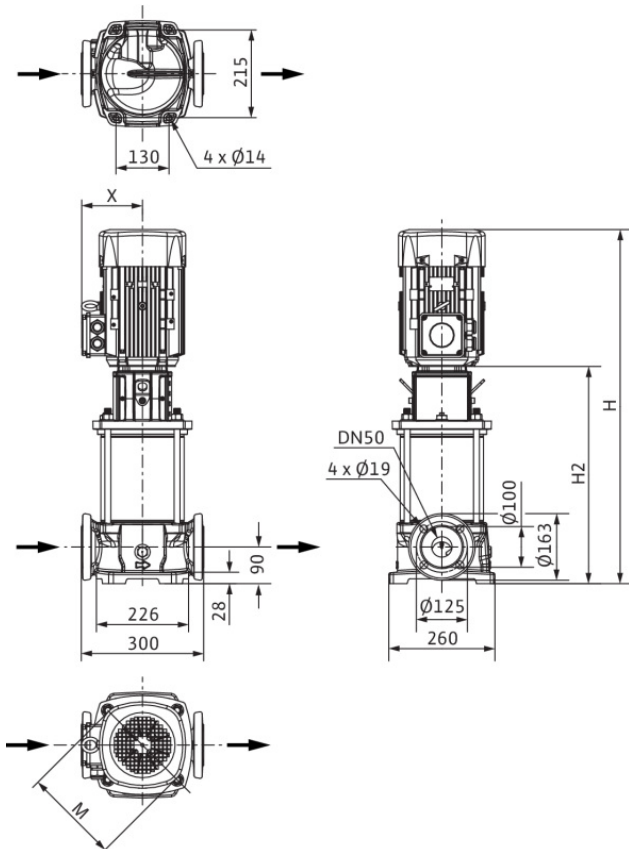


ISO 9906: 2012 3B

### Dimensions

|    |     |
|----|-----|
| H  | 869 |
| H2 | 533 |
| ØM | 210 |
| X  | 149 |
| X  | 149 |

mm



### Requested data

|                   |                          |
|-------------------|--------------------------|
| Flow              |                          |
| Head              |                          |
| Media             | Water 100 %              |
| Fluid temperature | 20.00 °C                 |
| Density           | 998.30 kg/m <sup>3</sup> |
| Kin. viscosity    | 1.00 mm <sup>2</sup> /s  |

### Hydraulic data (Duty point)

|                      |  |
|----------------------|--|
| Flow                 |  |
| Head                 |  |
| Shaft power P2       |  |
| Hydraulic efficiency |  |
| NPSH                 |  |

### Product data

|                                                                                 |                    |
|---------------------------------------------------------------------------------|--------------------|
| High-pressure multistage centrifugal pump<br>Helix FIRST V 2204-5/16/E/S/400-50 |                    |
| Max. operating pressure                                                         | 1,600 kPa          |
| Inlet pressure max.                                                             | 10 bar             |
| Fluid temperature                                                               | -20 °C ... +120 °C |
| Max. ambient temperature                                                        | 50 °C              |
| Minimum efficiency index (MEI)                                                  | ≥ 0.7              |

### Motordata per Motor/Pump

|                             |                  |
|-----------------------------|------------------|
| Motor efficiency level      | IE3              |
| Mains connection            | 3~ 400 V / 50 Hz |
| Permitted voltage tolerance | + -10 %          |
| Max. speed                  | 2,900 1/min      |
| Rated power P2              | 5.50 kW          |
| Rated current               | 10.50 A          |
| Power factor                | 0.86             |
| Service factor              | 1.15             |
| Efficiency                  | 50% / 75% / 100% |
| Degree of protection        | IP55             |
| Insulation class            | F                |
| Motor protection            | No               |

### Fitting dimensions

|                                     |              |
|-------------------------------------|--------------|
| Pipe connection on the suction side | DN 50, PN 16 |
| Pipe connection (pressure side)     | DN 50, PN 16 |

### Materials

|                 |                   |
|-----------------|-------------------|
| Pump housing    | 5.1301/EN-GJL-250 |
| Impeller        | 1.4307            |
| Shaft           | 1.4057            |
| Shaft seal      | BQ7EGG            |
| Gasket material | EPDM              |

### Information for order placements

|                |         |
|----------------|---------|
| Weight approx. | 76 kg   |
| Item number    | 4183358 |