

Customer

Technical data

Single-pump system

Isar MODV1-1CV1-L-607/EC

Project ID

Untitled project 2025-03-03 22:14:23.954

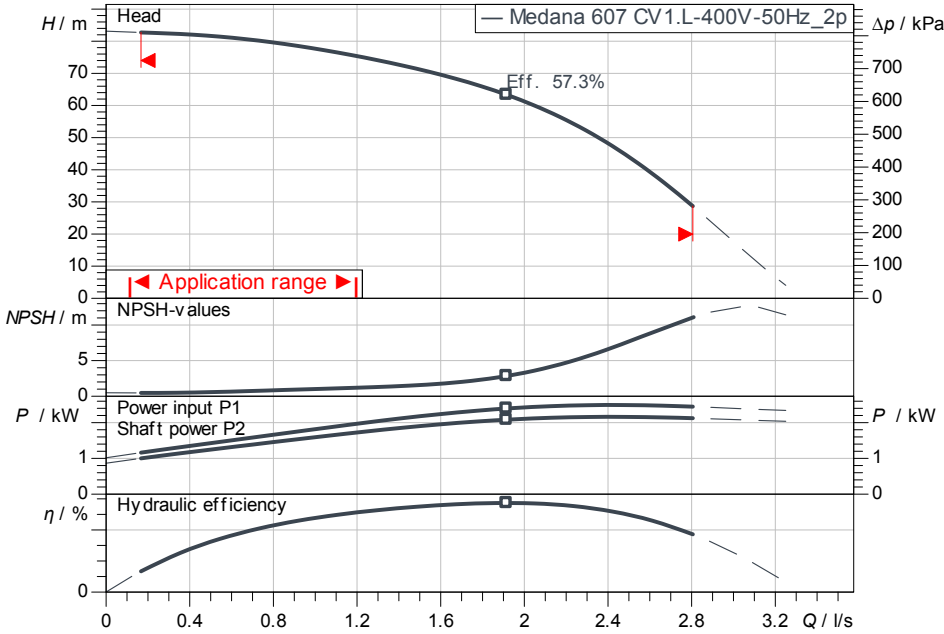
Project name

Installation location

Customer pos. No.

Date 2025-03-03

Duty chart



Requested data

| | |
|-------------------|--------------------------|
| Flow | |
| Head | |
| Media | Water 100 % |
| Fluid temperature | 20.00 °C |
| Density | 998.30 kg/m ³ |
| Kin. viscosity | 1.00 mm ² /s |

Hydraulic data (Duty point)

| | |
|----------------|--|
| Flow | |
| Head | |
| Shaft power P2 | |

Product data

| | |
|--------------------------------|------------------------------|
| Single-pump system | |
| Isar MODV1-1CV1-L-607/EC | |
| Control | Without frequency conversion |
| No. of pumps | 1 |
| Max. operating pressure | 1,600 kPa |
| Inlet pressure max. | 6 bar |
| Fluid temperature | 3 °C ... +60 °C |
| Max. ambient temperature | 40 °C |
| Protection class motor | IP55 |
| Protection class of switchgear | IP54 |
| Diaphragm pressure vessel | Yes |
| Low-water cut-out switchgear | |

Motordata per Motor/Pump

| | |
|-----------------------------|------------------|
| Motor efficiency level | IE3 |
| Mains connection | 3~ 400 V / 50 Hz |
| Permitted voltage tolerance | +/-10 % |
| Max. speed | 2,900 1/min |
| Rated power P2 | 2.50 kW |
| Rated current | 5.20 A |

| | |
|------------------|-----------------|
| Efficiency | |
| 50% / 75% / 100% | 87.4/87.4/86.4% |
| Insulation class | F |
| Motor protection | Yes |

Fitting dimensions

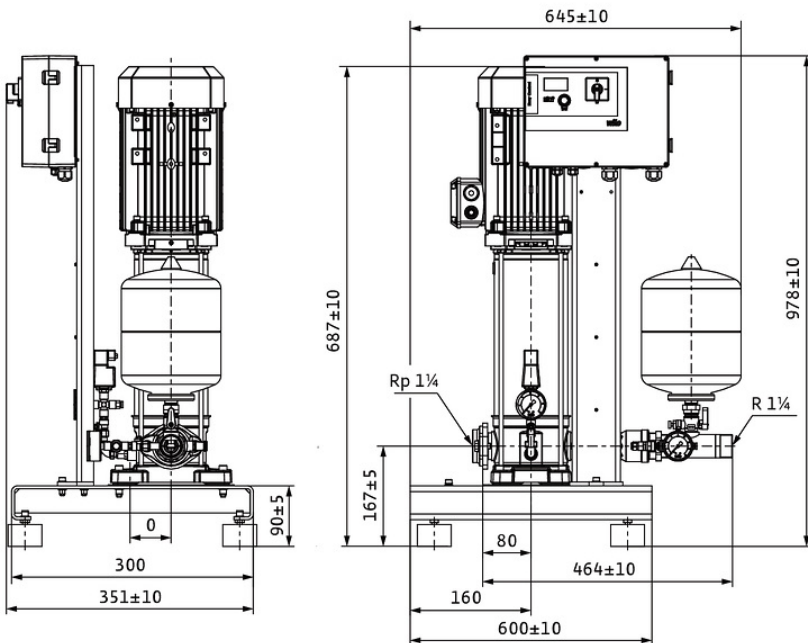
| | |
|-------------------------------------|-----------------|
| Pipe connection on the suction side | Rp 1 1/4, PN 10 |
| Pipe connection (pressure side) | R 1 1/4, PN 16 |

Materials

| | |
|-------------------|---------|
| Pump housing | 1.4301 |
| Impeller | 1.4301 |
| Shaft | 1.4301 |
| Shaft seal | BQ1E3GG |
| Gasket material | EPDM |
| Pipework material | 1.4307 |

Information for order placements

| | |
|----------------|---------|
| Weight approx. | 67 kg |
| Item number | 2554101 |



Dimensions mm

Contact
E-mail
Phone

Customer

Contact
E-mail
Phone

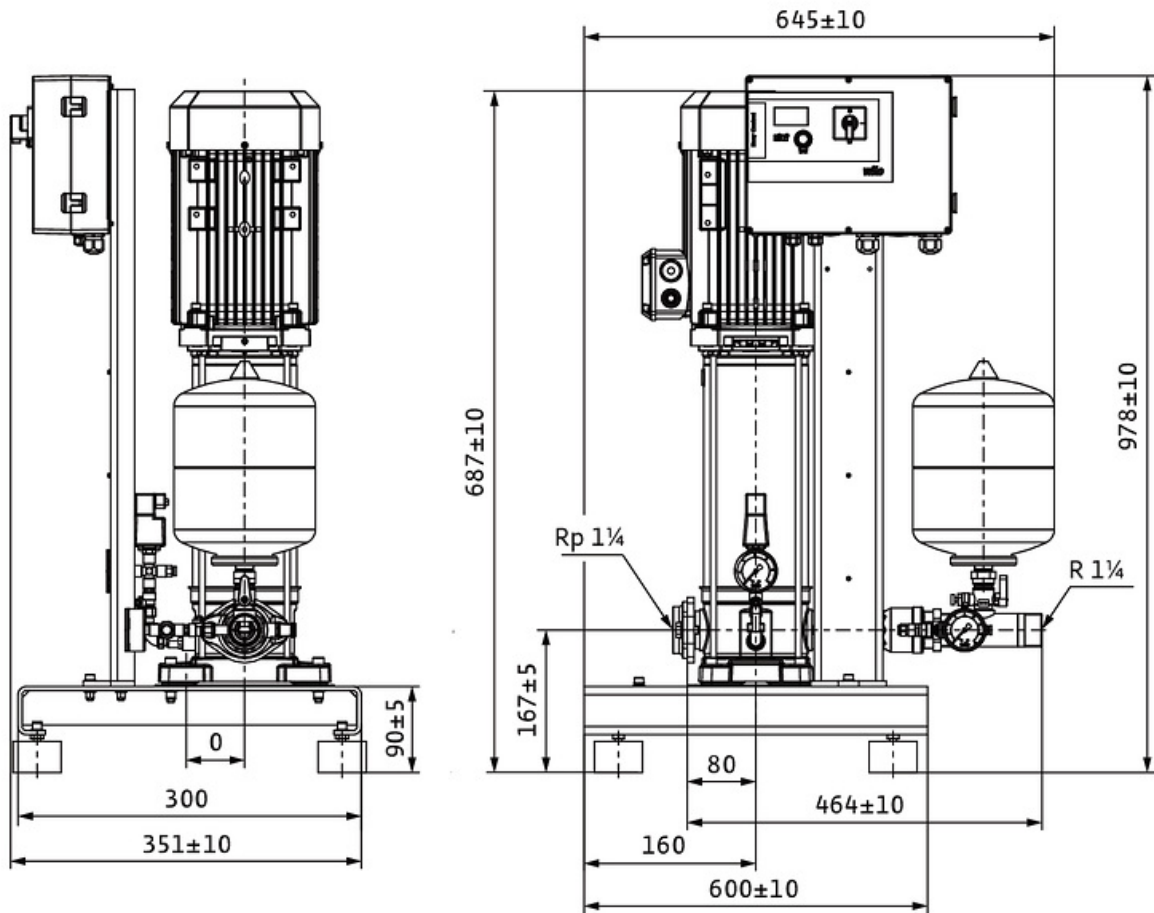
Dimensions

Single-pump system
Isar MODV1-1CV1-L-607/EC

Project ID Untitled project 2025-03-03 22:14:23.954

Project name
Installation location
Customer pos. No.

Date 2025-03-03



Standard

Suction side Rp 1 1/4, PN 10/PN 16
Discharge side R 1 1/4, PN 10/PN 16

Dimensions mm

| Name | Value | Name | Value | Name | Value | Name | Value |
|------|-------|------|-------|------|-------|------|-------|
|------|-------|------|-------|------|-------|------|-------|