

Contact  
E-mail  
Phone

**Customer**

Contact  
E-mail  
Phone

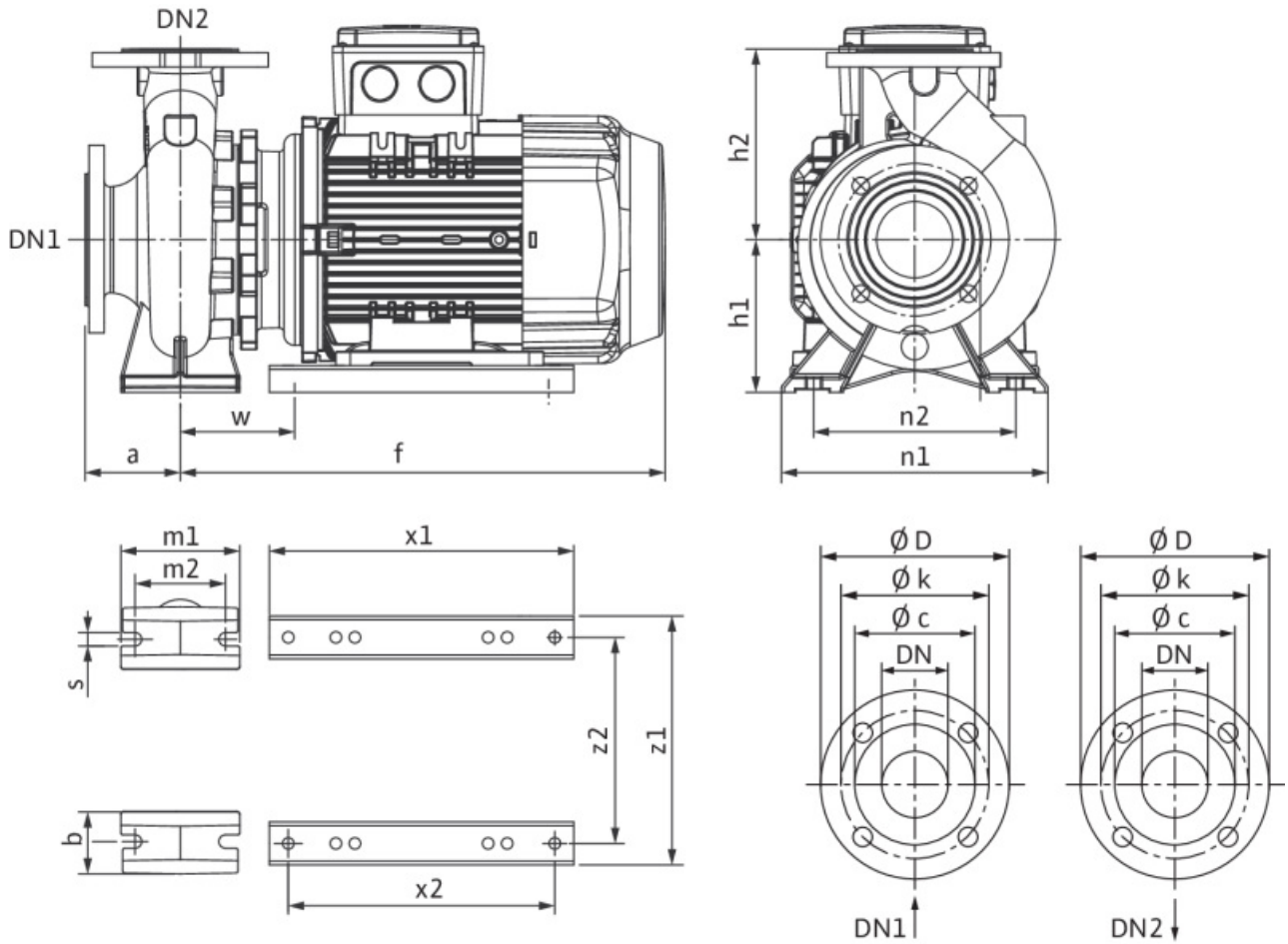
## Dimensions

Glanded monobloc pump  
BM-B 50/165-7,5/2

Project ID                      Untitled project 2025-03-01 21:27:50.947

Project name  
Installation location  
Customer pos. No.

Date                      2025-03-01



**Standard**

Suction side                      DN 65, PN 10  
Discharge side                      DN 50, PN 10

**Dimensions**                      mm

Name	Value	Name	Value	Name	Value	Name	Value
a	100	h1	160	Ø k	125	x2	280
b	50	h2	180	Ø d	118	z1	261
d	12	m1	100	Ø D	185	z2	216
dL	19	m2	71	Ø D	165		
DN1	DN 65, PN 10	n1	265	s	13		
DN2	DN 50, PN 10	n2	212	w	108		
f	504	Ø k	145	x1	320		

**Customer**

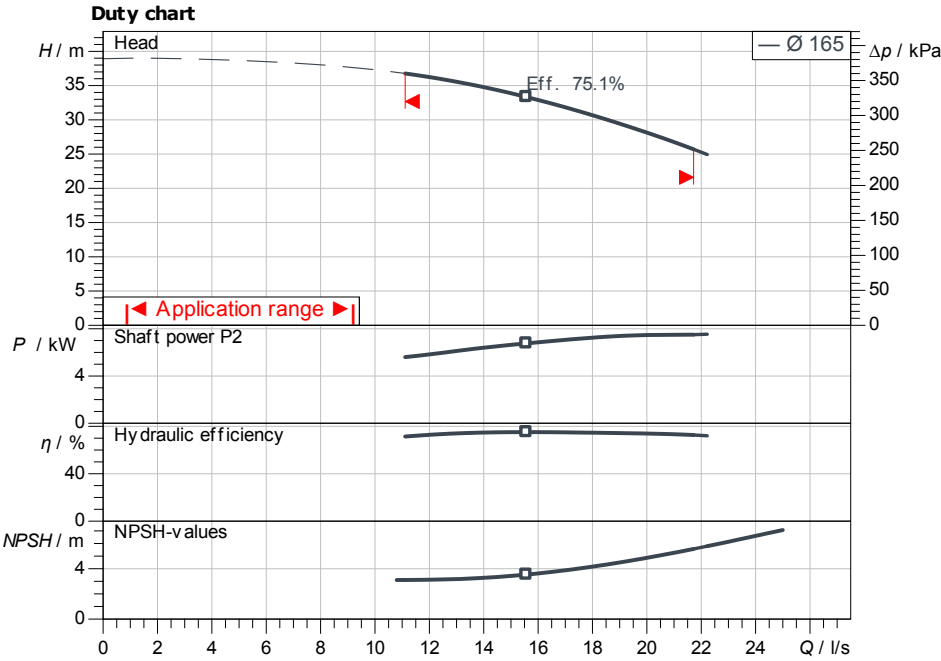
## Technical data

### Glanded monobloc pump BM-B 50/165-7,5/2

Project ID                      Untitled project 2025-03-01 21:27:50.947

Project name  
Installation location  
Customer pos. No.

Date                      2025-03-01



**Requested data**

Flow  
Head  
Media                      Water 100 %  
Fluid temperature                      20.00 °C  
Density                      998.30 kg/m<sup>3</sup>  
Kin. viscosity                      1.00 mm<sup>2</sup>/s

**Hydraulic data (Duty point)**

Flow  
Head  
Shaft power P2  
Hydraulic efficiency  
NPSH

**Product data**

Glanded monobloc pump  
BM-B 50/165-7,5/2  
Max. operating pressure                      1,000 kPa  
Fluid temperature                      -10 °C ... +90 °C  
Max. ambient temperature                      40 °C  
Minimum efficiency index (MEI)                      ≥ 0.4

**Motordata per Motor/Pump**

Motor efficiency level                      IE3  
Mains connection                      3~ 400 V / 50 Hz  
Permitted voltage tolerance                      + -10 %  
Rated speed                      2,900 1/min  
Rated power P2                      7.50 kW  
Rated current                      14.40 A  
Power factor                      0.87  
Efficiency                      50% / 75% / 100%                      89.1/ 90.3/90.1%  
Degree of protection                      IP55  
Insulation class                      F  
Motor protection                      No

**Fitting dimensions**

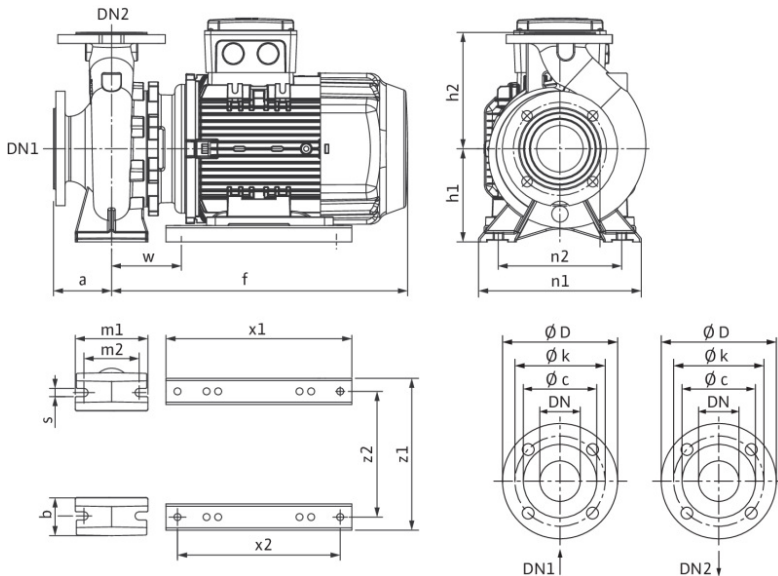
Pipe connection on the suction side                      DN 65, PN 10  
Pipe connection (pressure side)                      DN 50, PN 10  
Port to Port                      -

**Materials**

Pump housing                      Bronze, G-CuSn10  
Impeller                      Bronze, G-CuSn10  
Shaft                      1.4362  
Shaft seal                      Q1Q1VGG

**Information for order placements**

Weight approx.                      90 kg  
Item number                      2103301





Contact  
E-mail  
Phone

**Customer**

Contact  
E-mail  
Phone

## Hydraulic data

Glanded monobloc pump  
BM-B 50/165-7,5/2

Project ID                      Untitled project 2025-03-01 21:27:50.947

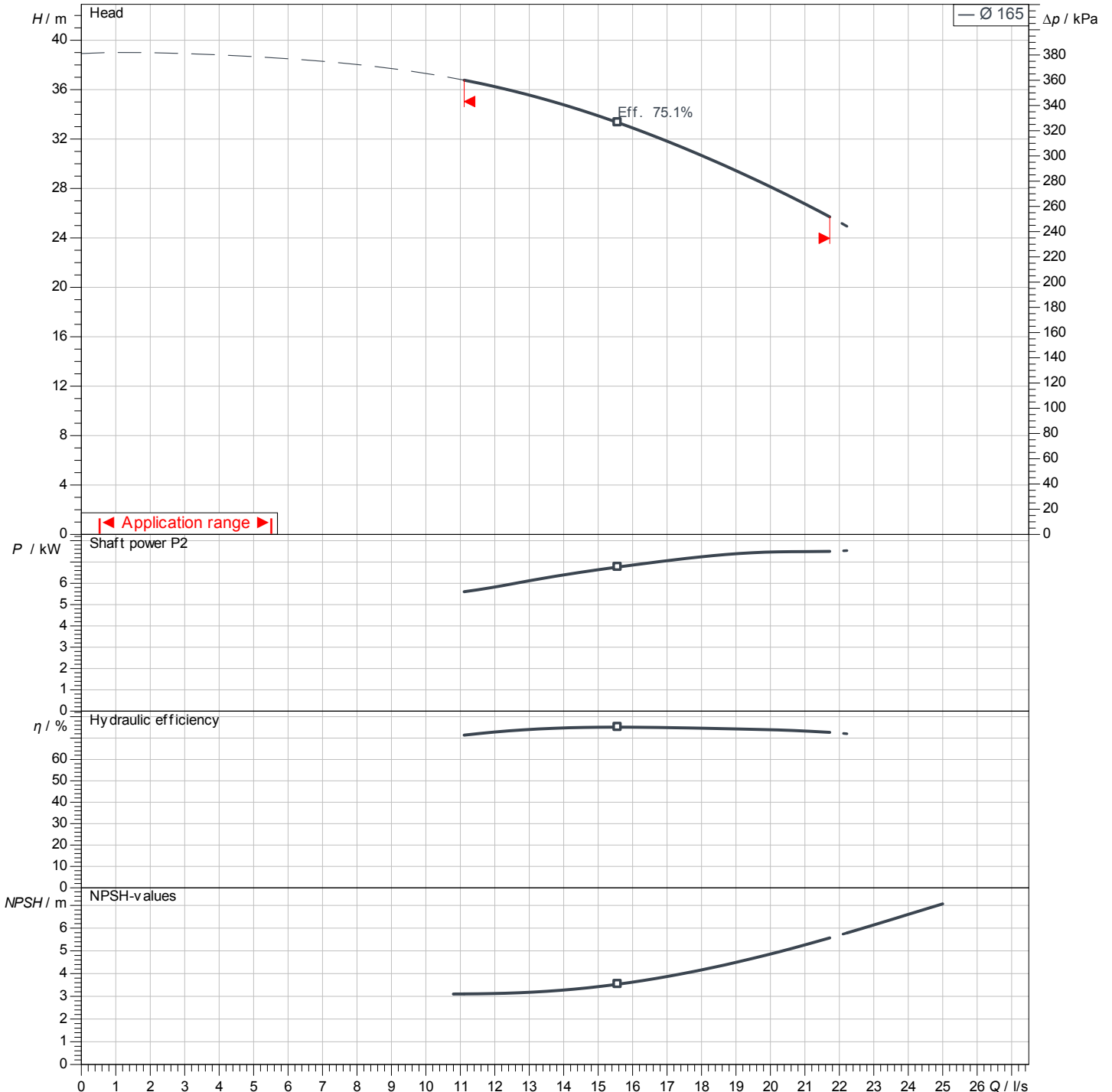
Project name  
Installation location  
Customer pos. No.

Date                      2025-03-01

## Operating data

Rotational speed <b>2900 1/min</b>	Frequency <b>50 Hz</b>	Duty point <b>Q =</b>	<b>H =</b>	Suction port <b>DN 65</b>	Discharge port <b>DN 50</b>
---------------------------------------	---------------------------	--------------------------	------------	------------------------------	--------------------------------

Power data referred to:                      Water; 20°C; 998.3kg/m<sup>3</sup>; 1.005mm<sup>2</sup>/s                      ±10 % tolerance with linear U/f frequency control



No test norm defined for this product