

Customer

Technical data

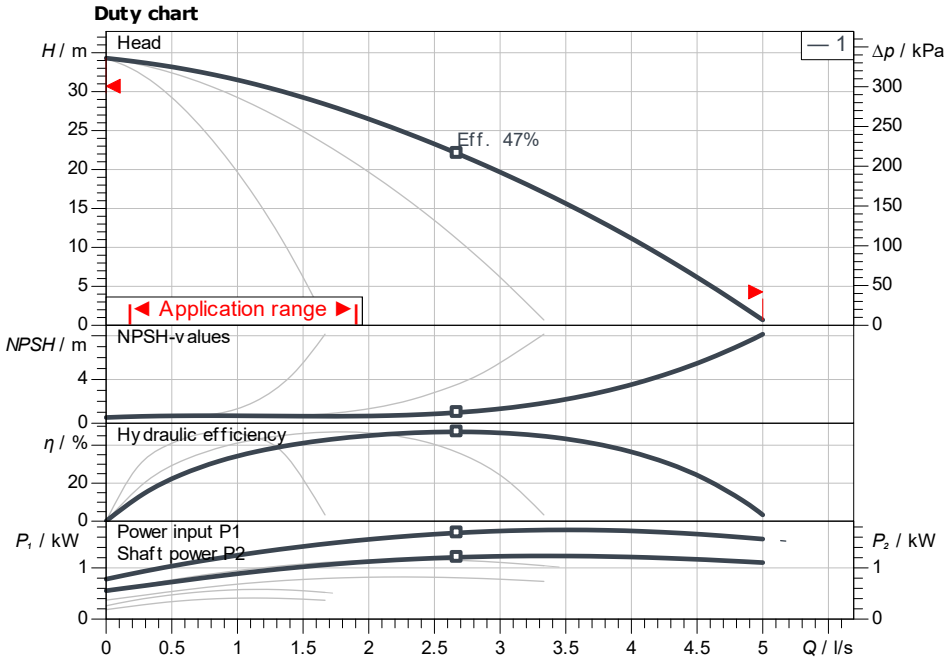
Multi-pump system

COR 3 MHI 203/SCe EM

Project ID Untitled project 2025-03-02 21:29:08.965

Project name
Installation location
Customer pos. No.

Date 2025-03-02



Requested data

Flow
Head
Media Water 100 %
Fluid temperature 20.00 °C
Density 998.30 kg/m³
Kin. viscosity 1.00 mm²/s

Hydraulic data (Duty point)

Flow
Head
Shaft power P2

Product data

Multi-pump system
COR 3 MHI 203/SCe EM
Control With frequency converter
No. of pumps 3
Max. operating pressure 1,000 kPa
Inlet pressure max. 6 bar
Fluid temperature 3 °C ... +50 °C
Max. ambient temperature 40 °C
Diaphragm pressure vessel Yes
Low-water cut-out switchgear Yes

Control

Mains connection 1~220-230 V
50 Hz
Protection class of switchgear IP54

Motordata per Motor/Pump

Motor efficiency level IE1
Rated power P2 0.55 kW
Rated current 1.70 A
Efficiency 50% / 75% / 100% 59/64.3/64.6%
Protection class motor IP54
Insulation class F
Motor protection Yes

Fitting dimensions

Pipe connection on the suction side R 2, PN 6
Pipe connection (pressure side) R 2, PN 10

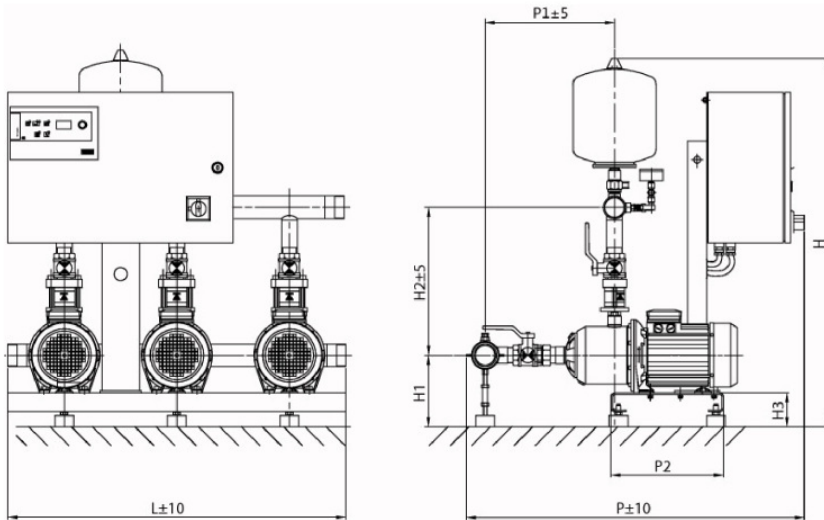
Materials

Pump housing 1.4301

Impeller 1.4301
Shaft 1.4301
Shaft seal BQ1E3GG
Gasket material EPDM
Pipework material 1.4404

Information for order placements

Weight approx. 96 kg
Item number 29992330



Dimensions		mm		
DNd	R 2, PN 1 H3	90	P	825
DNs	R 2, PN 6 HS	400	P1	280
H	990 L	900	P2	300
H1	180 L1	300	X	900
H2	395 LS	600		

Contact
E-mail
Phone

Customer

Contact
E-mail
Phone

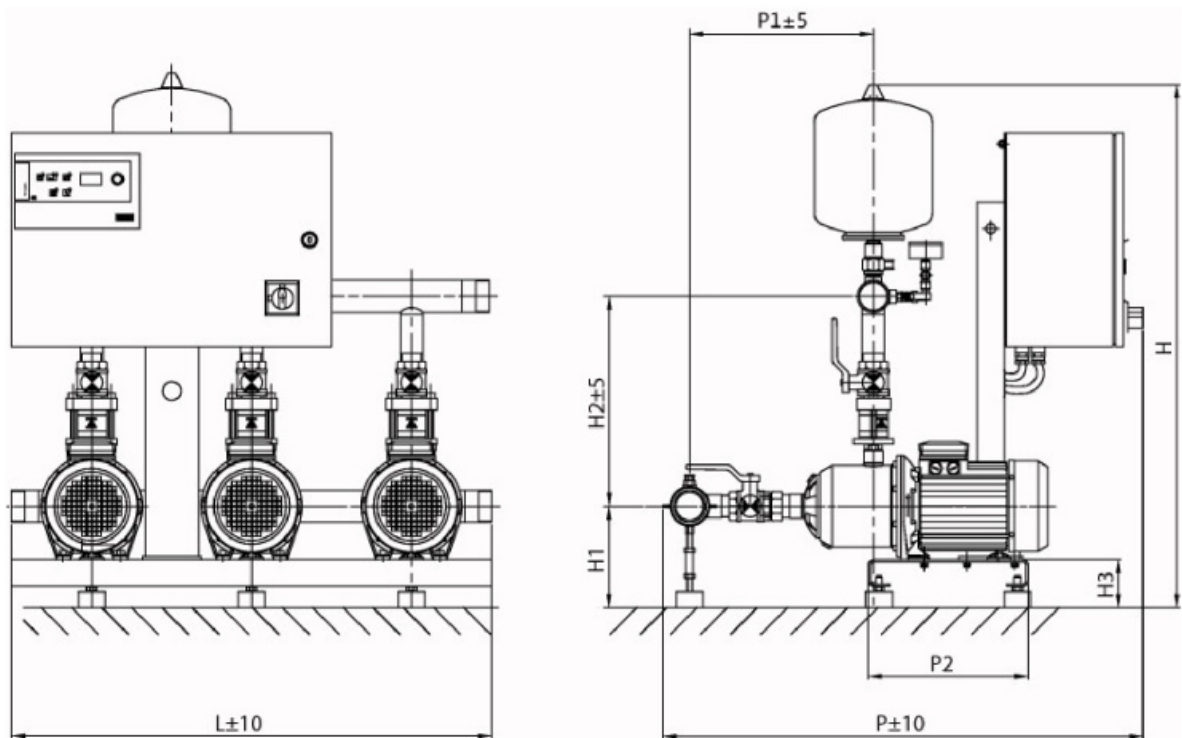
Dimensions

Multi-pump system
COR 3 MHI 203/SCe EM

Project ID Untitled project 2025-03-02 21:29:08.965

Project name
Installation location
Customer pos. No.

Date 2025-03-02



Standard

Suction side R 2, PN 6/PN 10
Discharge side R 2, PN 6/PN 10

Dimensions mm

Name	Value	Name	Value	Name	Value	Name	Value
DNd	R 2, PN 10	L	900				
DNs	R 2, PN 6	L1	300				
H	990	LS	600				
H1	180	P	825				
H2	395	P1	280				
H3	90	P2	300				
HS	400	X	900				