

Customer

Technical data

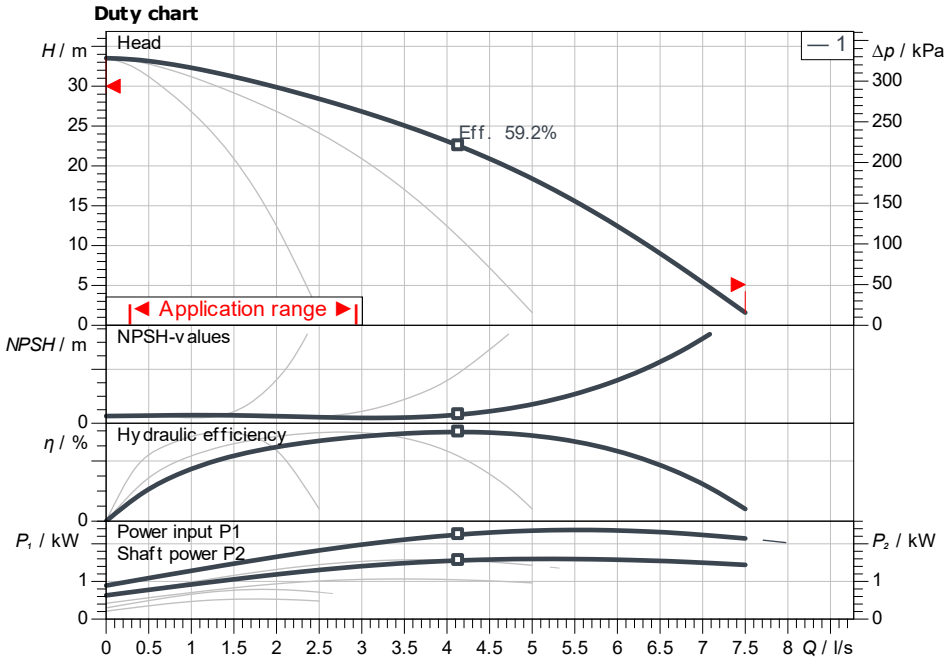
Multi-pump system

COR 3 MHI 403/SCe EM

Project ID: Untitled project 2025-03-02 21:29:08.965

Project name
Installation location
Customer pos. No.

Date: 2025-03-02



Requested data

Flow
Head
Media: Water 100 %
Fluid temperature: 20.00 °C
Density: 998.30 kg/m³
Kin. viscosity: 1.00 mm²/s

Hydraulic data (Duty point)

Flow
Head
Shaft power P2

Product data

Multi-pump system
COR 3 MHI 403/SCe EM
Control: With frequency converter
No. of pumps: 3
Max. operating pressure: 1,000 kPa
Inlet pressure max.: 6 bar
Fluid temperature: 3 °C ... +50 °C
Max. ambient temperature: 40 °C
Diaphragm pressure vessel: Yes
Low-water cut-out switchgear: Yes

Control

Mains connection: 1~220-230 V
50 Hz
Protection class of switchgear: IP54

Motordata per Motor/Pump

Motor efficiency level: IE1
Rated power P2: 0.55 kW
Rated current: 1.70 A
Efficiency: 50% / 75% / 100% → 59/64.3/64.6%
Protection class motor: IP54
Insulation class: F
Motor protection: Yes

Fitting dimensions

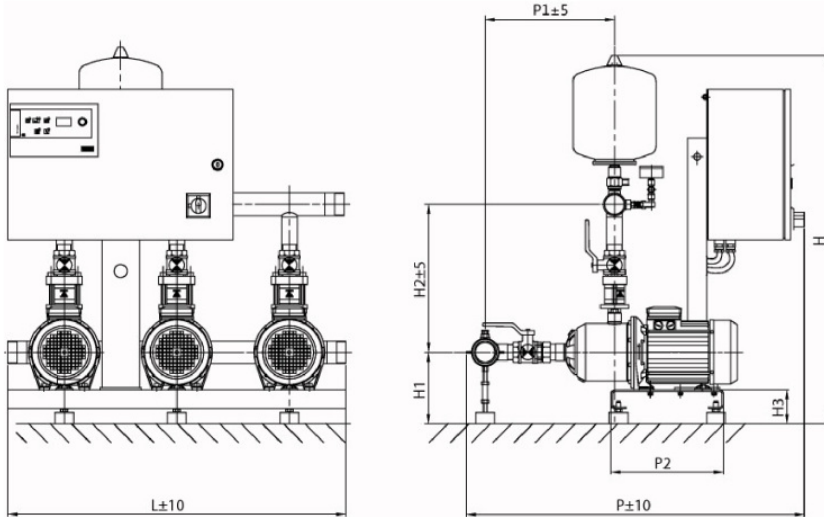
Pipe connection on the suction side: R 2, PN 6
Pipe connection (pressure side): R 2, PN 10

Materials

Pump housing: 1.4301
Impeller: 1.4301
Shaft: 1.4301
Shaft seal: BQ1E3GG
Gasket material: EPDM
Pipework material: 1.4404

Information for order placements

Weight approx.: 108 kg
Item number: 29992335



Dimensions mm

DNd	R 2, PN 1	H3	90	P	844
DNs	R 2, PN 6	HS	400	P1	299
H	990	L	900	P2	300
H1	180	L1	300	X	900
H2	395	LS	600		

