

Customer

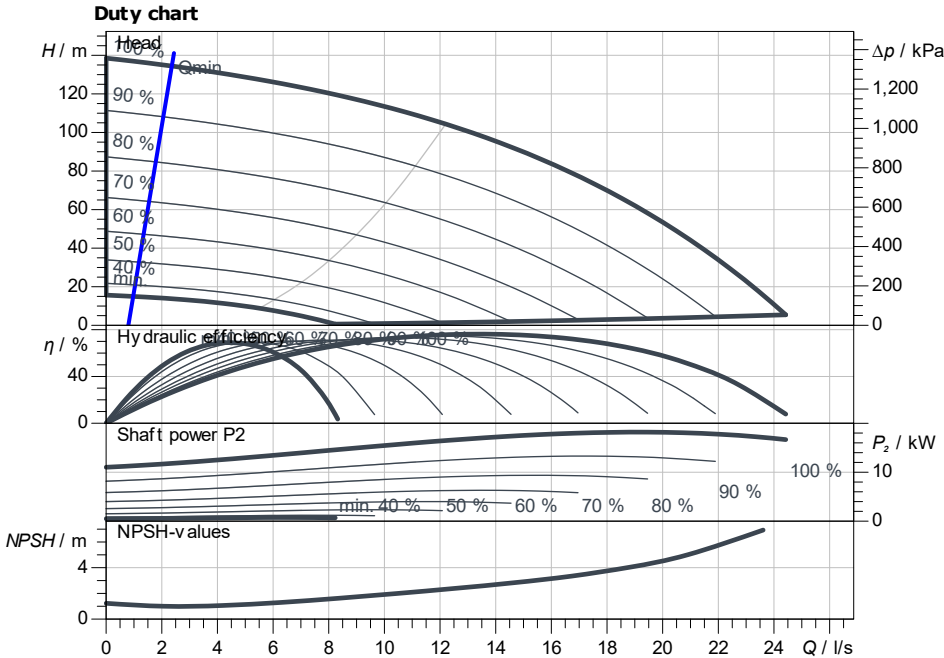
Technical data

Multi-pump system SiBoost Smart 2 Helix VE 5205

Project ID: Untitled project 2025-03-04 01:04:54.425

Project name
Installation location
Customer pos. No.

Date: 2025-03-04



Requested data

Flow	
Head	
Media	Water 100 %
Fluid temperature	20.00 °C
Density	998.30 kg/m ³
Kin. viscosity	1.00 mm ² /s

Hydraulic data (Duty point)

Flow	
Head	
Shaft power P2	

Product data

Multi-pump system	
SiBoost Smart 2 Helix VE 5205	
Control	With frequency converter
No. of pumps	2
Max. operating pressure	1,600 kPa
Inlet pressure max.	10 bar
Fluid temperature	3 °C ... +50 °C
Max. ambient temperature	40 °C
Protection class motor	IP55
Protection class of switchgear	IP54
Diaphragm pressure vessel	Yes
Low-water cut-out switchgear	Yes

Motordata per Motor/Pump

Motor efficiency level	IE5
Mains connection	3~ 400 V / 50 Hz
Permitted voltage tolerance	
Max. speed	
Rated power P2	18.50 kW
Rated current	32.10 A

Efficiency	50% / 75% / 100%	//95.4%
Insulation class		F
Motor protection		Yes

Fitting dimensions

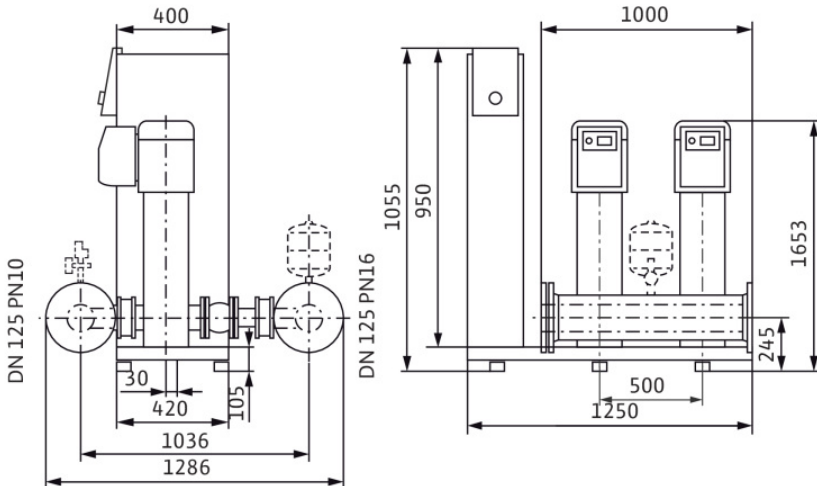
Pipe connection on the suction side	DN 125, PN 10
Pipe connection (pressure side)	DN 125, PN 16

Materials

Pump housing	5.1301/EN-GJL-250
Impeller	1.4307
Shaft	1.4057
Shaft seal	BQ7EGG
Gasket material	EPDM
Pipework material	1.4307

Information for order placements

Weight approx.	714 kg
Item number	2540928



Dimensions mm

Contact
E-mail
Phone

Customer

Contact
E-mail
Phone

Dimensions

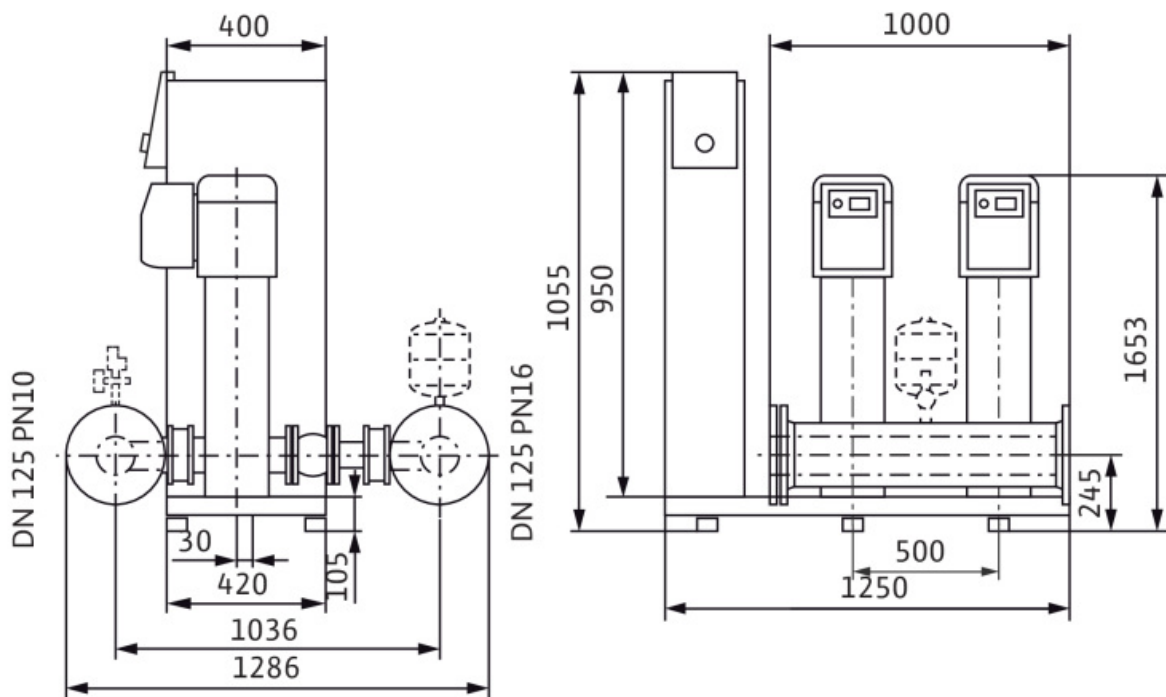
Multi-pump system

SiBoost Smart 2 Helix VE 5205

Project ID Untitled project 2025-03-04 01:04:54.425

Project name
Installation location
Customer pos. No.

Date 2025-03-04



Standard

Suction side DN 125, PN 10/PN 16

Discharge side DN 125, PN 10/PN 16

Dimensions mm

Name	Value	Name	Value	Name	Value	Name	Value
------	-------	------	-------	------	-------	------	-------