

Customer

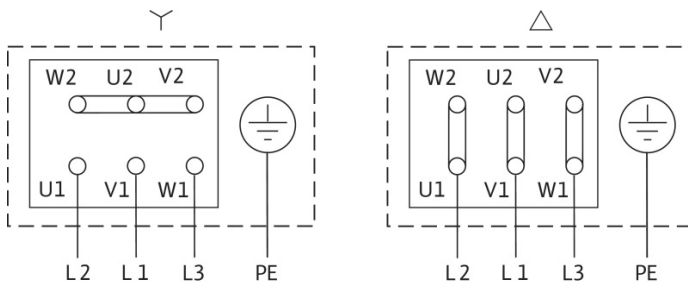
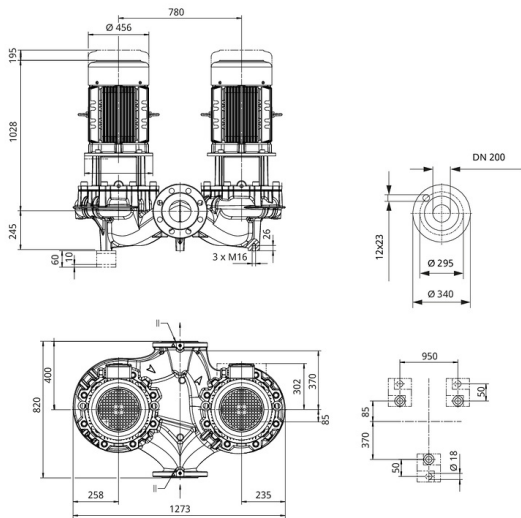
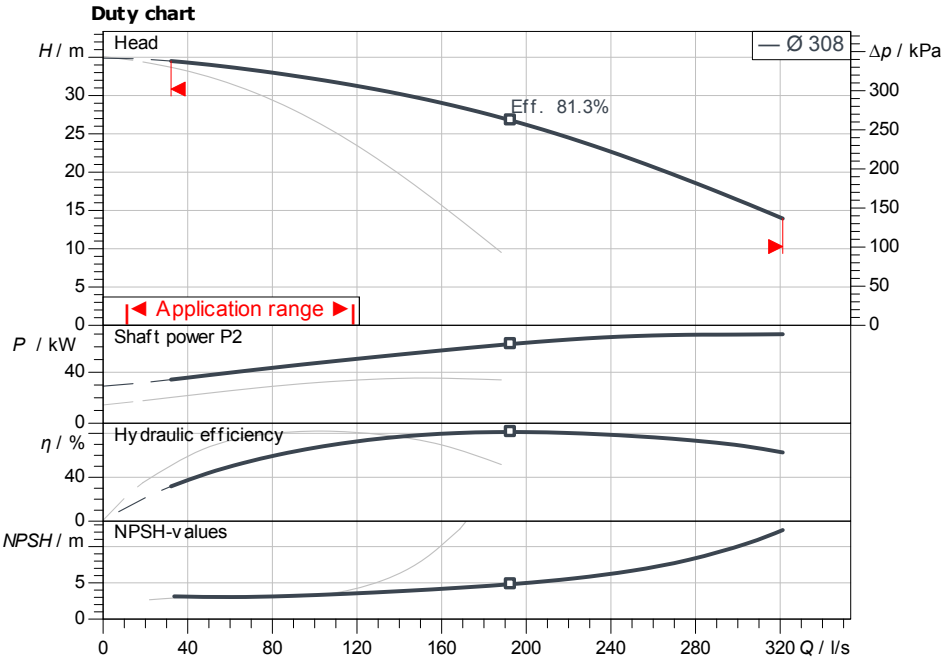
Technical data

Glanded standard twin-head pump Atmos GIGA-D 200/295-37/4

Project ID Untitled project 2025-03-01 18:38:40.590

Project name
Installation location
Customer pos. No.

Date 2025-03-01



Requested data

Flow
Head
Media Water 100 %
Fluid temperature 20.00 °C
Density 998.30 kg/m³
Kin. viscosity 1.00 mm²/s

Hydraulic data (Duty point)

Flow
Head
Shaft power P_2
Hydraulic efficiency
NPSH

Product data

Glanded standard twin-head pump
Atmos GIGA-D 200/295-37/4
Max. operating pressure 1,600 kPa
Fluid temperature -20 °C ... +140 °C
Max. ambient temperature 40 °C
Minimum efficiency index (MEI) ≥ 0.4

Motordata per Motor/Pump

Motor efficiency level IE3
Mains connection 3~ 400 V / 50 Hz
Permitted voltage tolerance +10 %
Rated speed 1,450 1/min
Rated power P_2 37.00 kW
Rated current 71.30 A
Power factor 0.81
Efficiency 50% / 75% / 100% 90.6/92.6/93.4%
Degree of protection IP55
Insulation class F
Motor protection PTC integrated

Fitting dimensions

Pipe connection on the suction side DN 200, PN 16
Pipe connection (pressure side) DN 200, PN 16
Port to Port 820 mm

Materials

Pump housing 5.1301, EN-GJL-250 cataphoretic-coated
Impeller EN-GJL-200
Lantern 5.1301/EN-GJL-250
Shaft 1.4122
Shaft seal AQ1EGG

Information for order placements

Weight approx. 1138 kg
Item number 2225642